

## Features

Roto-Cone® variable speed sheaves and drives allow smooth, infinitely-variable speed changes without stopping the drive motor. Positive rack and pinion design provides equal and opposite lateral movement of both discs, so belts always travel on a fixed center line. Ratings to 30 HP at 1750 RPM. Needs only periodic lubrication. Positive pulling power, precision balanced, proven reliability.



## Features

- **V to V Operating Principle**  
The exclusive rack and gear arrangement incorporated into the design of the ROTO-CONE® Motor Sheave imparts a positive and equal linear movement to each pulley disc. The movement of one disc is opposite to that of the other, thereby causing the belt to travel on a fixed center line. This fixed center line allows driving to a “V” groove companion sheave which need be only slightly wider than the belt. The “V” to “V” principle makes for more efficient power transmission, straight line adjustment of the motor and sheave, longer belt life, vibrationless drive, and eliminates twisting and curling of the belt when changing speeds.
- **Lubrication**  
Close-Grooving grease groove in the bore of the inner disc distributes grease throughout the entire hub length. Sheaves, from RC80 through RC1330 have additional grease fittings and passages to assure thorough lubrication throughout the pulley length. These features combine to practically eliminate fretting corrosion and sticking discs.
- **Bores**  
To ensure a true shaft mounting, all ROTO-CONE® Sheave shafts are precision bored with overall tolerances of .0005.”
- **1/2 thru 30 HP**
- **V-to-V Drive**
- **Operates in Vertical or Horizontal Position**
- **Exclusive Rack and Pinion Design**
- **Proven Reliability**
- **Conventional and Compound Drives**
- **Rugged Cast Iron Construction**

## Selection

MODEL	HP RATING @			BELT	PITCH DIA.		DRIVE CHART PAGE NO.
	3500	1750	1160		MIN.	MAX.	
RC55	1	1/2	1/3	1422V	1.75	5.25	D1-26
RC60	1-1/2	3/4	1/2	1922V	1.92	5.75	D1-26
RC75	-	1 - 1-1/2	7/8 - 1	1922V	2.42	7.25	D1-27
RC80	-	1-1/2 - 3	1 - 2	2322V	2.58	7.75	D1-27
RC105	-	1-1/2 - 3	1 - 2	2926V	2.58	10.38	D1-28
RC100	-	3 - 5	1-1/2 - 3	2926V	3.25	9.75	D1-28
RC1315	-	7-1/2 - 15	5 - 10	4430V	4.25	12.75	D1-29
RC1330	-	15-30	10 - 20	4430V	4.63	12.75	D1-29

Horsepower ratings are based on constant torque and are shown for maximum pitch diameter.  
Horsepower ratings at other pitch diameters reduce in proportion to the driven speed.

### STOCK BORE SIZES AND BORE LENGTHS (BL)

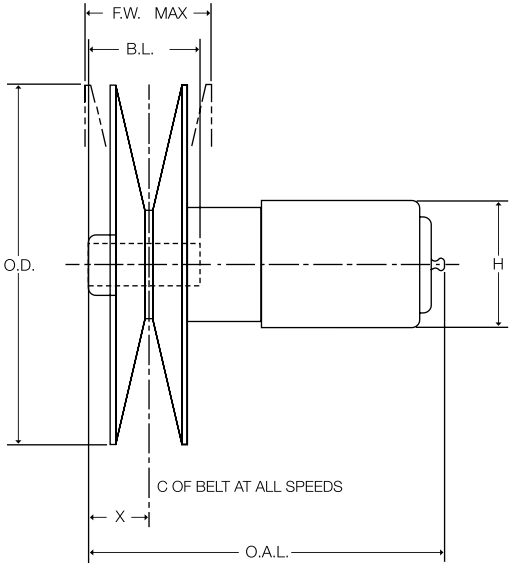
MODEL	BORE SIZE IN INCHES										MAX. BORE
	1/2	5/8	3/4	7/8	1	1-1/8	1-1/4	1-3/8	1-5/8	1-7/8	
	BORE LENGTH IN INCHES										
RC55	1-3/4 *	1-3/4	-	-	-	-	-	-	-	-	5/8
RC60	-	1-7/8	1-7/8	-	-	-	-	-	-	-	3/4
RC75	-	1-7/8	2-1/4	2-5/16	-	-	-	-	-	-	7/8
RC80	-	-	2-1/4	2-5/8	3	3-3/8	-	-	-	-	1-1/8
RC105	-	-	2-1/4	2-5/8	3	3-3/8	-	-	-	-	1-1/8
RC100	-	-	-	-	3	3-3/8	3-3/4	-	-	-	1-1/4
RC1315	-	-	-	-	-	3-3/8	3-3/4	4-1/8	4-7/8	-	1-15/16
RC1330	-	-	-	-	-	-	3-3/4	4-1/8	4-7/8	5-3/8	1-15/16

\* No keyseat.

ORDERING EXAMPLE: RC60 x 5/8

### ROTO-CONE SHEAVE DIMENSIONS

MODEL	O.D.	H	O.A.L.	X	F.W. MAX	WT. LBS.
RC55	5-1/2	2-1/8	5-1/8	1	1-13/16	6
RC60	6	2-1/8	6-1/16	15/16	2-1/4	7
RC75	7-1/2	2-1/2	7-1/2	1-1/4	2-5/8	13.5
RC80	8	3	8-1/2	1-7/16	2-3/4	17
RC105	10-5/8	3	8-1/2	1-13/16	3-1/4	24
RC100	10	3-7/8	10-13/16	2-1/16	3-7/8	34
RC1315	13	5	12-7/8	2-1/4	5-3/8	59
RC1330	13	6-1/4	12-3/8	2-1/2	5-5/8	70



## Selection Charts

### RC55 (1422V BELT)

DRIVEN SPEEDS			PRODUCT NUMBER	GROOVED COMPANION SHEAVE	CENTER DISTANCE IN INCHES AT MAXIMUM AND MINIMUM SPEEDS							
3500 RPM Motor	1750 RPM Motor	1160 RPM Motor			BELT PART NUMBER							
					1422V 360	1422V 420	1422V 480	1422V 540	1422V 600	1422V 660	1422V 720	1422V 780
3500	1750	1160	<b>531M</b>	5.3 x 1M-SH	9.75	12.75	15.75	18.75	21.75	24.75	27.75	30.75
1166	583	387			12.37	15.39	18.41	21.42	24.43	27.44	30.45	33.45
3196	1598	1159	<b>581M</b>	5.8 x 1M-SH	9.36	12.36	15.36	18.36	21.36	24.36	27.36	30.36
1066	533	353			11.93	14.96	17.99	21.01	24.02	27.03	30.04	33.04
2722	1361	902	<b>681M</b>	6.8 x 1M-SH	8.54	11.55	14.55	17.56	20.56	23.56	26.56	29.56
908	454	301			11.02	14.09	17.13	20.16	23.18	26.19	29.21	32.22
2370	1185	785	<b>781M</b>	7.8 x 1M-SH	7.68	10.71	13.73	16.74	19.75	22.75	25.76	28.76
790	395	262			10.07	13.18	16.24	19.29	22.32	25.35	28.37	31.38
2100	1050	696	<b>881M</b>	8.8 x 1M-SH	-	9.84	12.87	15.90	18.92	21.93	24.94	27.94
700	350	232			-	12.23	15.33	18.40	21.45	24.48	27.51	30.54
1884	942	625	<b>981M</b>	*9.8 x 1M-SH	-	8.92	11.99	15.40	18.07	21.09	24.10	27.12
628	314	208			-	11.24	14.38	17.48	20.55	23.60	26.64	29.68
1710	855	567	<b>1081M</b>	*10.8 x 1M-SH	-	-	11.07	14.15	17.20	20.23	23.26	26.28
570	285	189			-	-	13.40	16.54	19.63	22.71	25.76	28.80
1564	782	518	<b>1181M</b>	*11.8 x 1M-SH	-	-	10.11	13.22	16.30	19.35	22.39	25.42
522	261	172			-	-	12.38	15.56	18.69	21.79	24.86	27.92
1376	668	442	<b>1381M</b>	*13.8 x 1M-SDS	-	-	-	11.26	14.42	17.53	20.61	23.67
446	223	148			-	-	-	13.50	16.72	19.88	23.00	26.09

\*Consult factory for availability.

### RC60 (1922V BELT)

DRIVEN SPEEDS			PRODUCT NUMBER	GROOVED COMPANION SHEAVE	CENTER DISTANCE IN INCHES AT MAXIMUM AND MINIMUM SPEEDS									
3500 RPM Motor	1750 RPM Motor	1160 RPM Motor			BELT PART NUMBER									
					1922V 363	1922V 403	1922V 426	1922V 454	1922V 484	1922V 544	1922V 604	1922V 666	1922V 726	1922V 756
3594	1797	1191	<b>561N</b>	5.6 x 1N-SK	9.23	11.23	12.38	13.78	15.28	18.28	21.28	24.38	27.38	28.88
1200	600	398			12.09	14.11	15.27	16.68	18.19	21.21	24.22	27.33	30.33	31.84
3050	1525	1011	<b>661N</b>	6.6 x 1N-SK	8.44	10.44	11.59	12.99	14.49	17.49	20.49	23.59	26.60	28.10
1018	509	337			11.20	13.24	14.40	15.82	17.34	20.36	23.38	26.50	29.51	31.01
2648	1324	878	<b>761N</b>	7.6 x 1N-SK	-	9.62	10.77	12.18	13.68	16.69	19.69	22.79	25.80	27.30
884	442	293			-	12.33	13.50	14.93	16.46	19.50	22.53	25.65	28.67	30.18
2340	1170	776	<b>861N</b>	8.6 x 1N-SK	-	8.75	9.92	11.33	12.84	15.86	18.87	21.98	24.98	26.49
782	391	259			-	11.38	12.57	14.02	15.56	18.62	21.66	24.79	27.82	29.33
2096	1048	695	<b>961N</b>	9.6 x 1N-SK	-	-	9.02	10.45	11.98	15.01	18.03	21.15	24.16	25.66
760	350	232			-	-	11.60	13.06	14.62	17.71	20.77	23.92	26.96	28.47
1898	949	629	<b>1061N</b>	10.6 x 1N-SK	-	-	-	9.53	11.07	14.13	17.17	20.30	23.32	24.83
634	317	210			-	-	-	12.07	13.65	16.77	19.86	23.03	26.08	27.60
1734	867	575	<b>1161N</b>	11.6 x 1N-SK	-	-	-	-	10.13	13.23	16.29	19.43	22.47	23.98
580	290	192			-	-	-	-	12.64	15.81	18.93	22.12	25.18	26.71
1480	740	490	<b>1361N</b>	13.6 x 1N-SK	-	-	-	-	-	11.30	14.44	17.64	20.70	22.23
494	247	164			-	-	-	-	-	-	13.77	16.98	20.23	23.34
1290	645	428	<b>1561N</b>	15.6 x 1N-SK	-	-	-	-	-	-	12.45	15.73	18.85	20.40
430	215	143			-	-	-	-	-	-	-	14.89	18.23	21.41
1194	572	379	<b>1761N</b>	17.6 x 1N-SK	-	-	-	-	-	-	-	13.68	16.89	18.48
382	191	127			-	-	-	-	-	-	-	-	16.10	19.37

Refer to table on page D1—52 for additional belts available.

## Selection Charts

### RC75 (1922V BELT)

DRIVEN SPEED		PRODUCT NUMBER	GROOVED COMPANION SHEAVE	CENTER DISTANCE IN INCHES AT MAXIMUM AND MINIMUM SPEEDS									
1750 RPM Motor	1160 RPM Motor			BELT PART NUMBER									
				1922V	1922V	1922V	1922V	1922V	1922V	1922V	1922V	1922V	1922V
				363	403	426	454	484	544	604	666	726	756
2266	1502	<b>561N</b>	5.6 x 1N-SK	8.01	10.02	11.17	12.58	14.08	17.08	20.09	23.19	26.19	27.69
756	501			11.73	13.75	14.91	16.32	17.82	20.83	23.84	26.95	29.95	31.46
1922	1274	<b>661N</b>	6.6 x 1N-SK	-	9.26	10.42	11.82	13.32	16.32	19.32	22.42	25.42	26.92
642	425			-	12.88	14.05	15.46	16.98	20.00	23.01	26.12	29.13	30.64
1669	1107	<b>761N</b>	7.6 x 1N-SK	-	-	9.63	11.03	12.53	15.53	18.53	21.63	24.63	26.13
557	369			-	-	13.16	14.58	16.11	19.14	22.17	25.29	28.30	29.81
1475	978	<b>861N</b>	8.6 x 1N-SK	-	-	-	10.23	11.73	14.73	17.74	20.84	23.84	25.34
492	326			-	-	-	13.67	15.21	18.26	21.30	24.43	27.46	28.97
1322	876	<b>961N</b>	9.6 x 1N-SK	-	-	-	-	10.90	13.91	16.92	20.03	23.03	24.53
441	292			-	-	-	-	14.28	17.36	20.42	23.56	26.60	28.11
1197	793	<b>1061N</b>	10.6 x 1N-SK	-	-	-	-	-	13.06	16.08	19.20	22.21	23.71
400	265			-	-	-	-	-	16.44	19.52	22.68	25.72	27.24
1094	725	<b>1161N</b>	11.6 x 1N-SK	-	-	-	-	-	12.19	15.23	18.35	21.37	22.88
365	242			-	-	-	-	-	15.48	18.59	21.77	24.83	26.36
933	618	<b>1361N</b>	13.6 x 1N-SK	-	-	-	-	-	-	13.42	16.60	19.65	21.17
311	206			-	-	-	-	-	-	16.65	19.89	23.00	24.54
813	539	<b>1561N</b>	15.6 x 1N-SK	-	-	-	-	-	-	-	14.73	17.83	19.37
271	180			-	-	-	-	-	-	-	17.91	21.08	22.64
721	478	<b>1761N</b>	17.6 x 1N-SK	-	-	-	-	-	-	-	-	15.91	17.48
241	160			-	-	-	-	-	-	-	-	19.05	20.65

### RC80 (2322V BELT)

DRIVEN SPEED		PRODUCT NUMBER	GROOVED COMPANION SHEAVE	CENTER DISTANCE IN INCHES AT MAXIMUM AND MINIMUM SPEEDS									
1750 RPM Motor	1160 RPM Motor			BELT PART NUMBER									
				2322V 421	2322V 441	2322V 481	2322V 521	2322V 541	2322V 601	2322V 661	2322V 721	2322V 801	2322V 1001
2055	1362	<b>661P</b>	6.6 x 1P-SK	9.76	10.76	12.76	14.77	15.77	18.77	21.77	24.77	28.77	38.77
684	453			13.68	14.69	16.71	18.72	19.73	22.74	25.75	28.76	32.77	42.79
1785	1183	<b>761P</b>	7.6 x 1P-SK	8.99	9.99	11.99	13.99	14.99	17.99	20.99	23.99	27.99	37.99
594	394			12.79	13.81	15.84	17.86	18.87	21.90	24.92	27.93	31.95	41.97
1577	1045	<b>861P</b>	8.6 x 1P-SK	-	9.20	11.20	13.20	14.20	17.20	20.20	23.20	27.20	37.20
525	348			-	12.90	14.94	16.98	18.00	21.04	24.06	27.09	31.11	41.15
1413	936	<b>961P</b>	9.6 x 1P-SK	-	-	10.38	12.38	13.39	16.39	19.40	22.40	26.40	36.41
470	312			-	-	14.02	16.08	17.10	20.15	23.20	26.23	30.26	40.32
1262	836	<b>1081P</b>	10.8 x 1P-SK	-	-	-	11.41	12.42	15.44	18.45	21.46	25.47	35.48
420	278			-	-	-	15.00	16.03	19.11	22.18	25.22	29.27	39.35
1154	765	<b>1181P</b>	11.8 x 1P-SK	-	-	-	-	11.55	14.58	17.61	20.63	24.64	34.67
384	255			-	-	-	-	15.07	18.18	21.27	24.33	28.40	38.50
986	654	<b>1381P</b>	13.8 x 1P-SK	-	-	-	-	-	12.79	15.86	18.91	22.95	33.01
328	218			-	-	-	-	-	16.24	19.38	22.49	26.60	36.77
861	571	<b>1581P</b>	15.8 x 1P-SK	-	-	-	-	-	-	13.99	17.10	21.19	31.31
287	190			-	-	-	-	-	-	17.38	20.56	24.73	34.99
764	506	<b>1781P</b>	17.8 x 1P-SK	-	-	-	-	-	-	-	15.17	19.34	29.57
254	169			-	-	-	-	-	-	-	18.52	22.78	33.16

Refer to table on page D1-53 for additional belts available.

## Selection Charts

### RC105 (2926V BELT)

DRIVEN SPEED		PRODUCT NUMBER	GROOVED COMPANION SHEAVE	CENTER DISTANCE IN INCHES AT MAXIMUM AND MINIMUM SPEEDS								
1750 RPM Motor	1160 RPM Motor			BELT PART NUMBER								
				2926V 574	2926V 606	2926V 646	2926V 686	2926V 726	2926V 834	2926V 906	2926V 1006	
2390	1584	<b>761T</b>	7.6 x 1T-SK	14.50	16.11	18.12	20.12	22.13	27.54	31.14	36.15	
594	394			20.54	22.15	24.16	26.17	28.18	33.60	37.21	42.22	
2112	1400	<b>861T</b>	8.6 x 1T-SK	13.76	15.36	17.37	19.37	21.37	26.78	30.38	35.38	
525	348			19.67	21.29	23.31	25.32	27.34	32.77	36.38	41.40	
1892	1254	<b>961T</b>	9.6 x 1T-SK	13.00	14.60	16.60	18.60	20.60	26.00	29.60	34.60	
470	312			18.78	20.41	22.44	24.46	26.48	31.92	35.54	40.57	
1714	1136	<b>1061T</b>	10.6 x 1T-SK	12.22	13.82	15.82	17.82	19.82	25.22	28.82	33.82	
426	282			17.87	19.51	21.55	23.58	25.61	31.07	34.70	39.73	
1566	1038	<b>1161T</b>	11.6 x 1T-SK	-	13.02	15.02	17.02	19.02	24.43	28.03	38.03	
389	258			-	18.58	20.64	22.68	24.72	30.20	33.84	38.88	
1336	885	<b>1361T</b>	13.6 x 1T-SK	-	-	13.36	15.37	17.38	22.80	26.41	31.42	
332	220			-	-	18.75	20.82	22.89	28.42	32.08	37.15	
1164	772	<b>1561T</b>	15.6 x 1T-SK	-	-	-	-	15.66	21.12	24.74	29.77	
289	192			-	-	-	-	20.97	26.58	30.28	35.38	
1032	684	<b>1761T</b>	17.6 x 1T-SK	-	-	-	-	-	19.36	23.02	28.07	
257	170			-	-	-	-	-	24.66	28.40	33.56	
927	614	<b>1961T</b>	19.6 x 1T-SK	-	-	-	-	-	17.51	21.22	26.32	
230	153			-	-	-	-	-	22.65	26.46	31.68	

### RC100 (2926V BELT)

DRIVEN SPEED		PRODUCT NUMBER	GROOVED COMPANION SHEAVE	CENTER DISTANCE IN INCHES AT MAXIMUM AND MINIMUM SPEEDS								
1750 RPM Motor	1160 RPM Motor			BELT PART NUMBER								
				2926V 574	2926V 606	2926V 646	2926V 686	2926V 726	2926V 834	2926V 906	2926V 1006	
2245	1488	<b>761T</b>	7.6 x 1T-SK	15.03	16.63	18.43	20.64	22.64	28.05	31.65	36.65	
748	496			20.05	21.66	23.67	25.68	27.68	33.10	36.71	41.72	
1984	1315	<b>861T</b>	8.6 x 1T-SK	14.27	15.87	17.88	19.88	21.88	27.28	30.88	35.88	
661	438			19.19	20.81	22.82	24.84	26.85	32.27	35.88	40.90	
1777	1178	<b>961T</b>	9.6 x 1T-SK	13.50	15.10	17.10	19.10	21.10	26.50	30.10	35.10	
592	393			18.31	19.93	21.96	23.98	26.00	31.43	35.05	40.07	
1610	1067	<b>1061T</b>	10.6 x 1T-SK	12.71	14.31	16.31	18.31	20.31	25.71	29.31	34.31	
537	356			17.41	19.04	21.08	23.11	25.13	30.58	34.21	39.23	
1471	975	<b>1161T</b>	11.6 x 1T-SK	-	13.50	15.50	17.50	19.51	24.91	28.51	33.52	
490	325			-	18.13	20.17	22.22	24.25	29.72	33.35	38.39	
1255	832	<b>1361T</b>	13.6 x 1T-SK	-	-	13.81	15.83	17.85	23.27	26.88	31.90	
418	277			-	-	18.30	20.37	22.43	27.95	31.61	36.67	
1294	725	<b>1561T</b>	15.6 x 1T-SK	-	-	-	14.06	16.10	21.57	25.20	30.23	
365	242			-	-	-	18.93	20.53	26.12	29.81	34.91	
969	643	<b>1761T</b>	17.6 x 1T-SK	-	-	-	-	-	19.80	23.46	28.53	
323	214			-	-	-	-	-	24.21	27.85	33.10	
871	577	<b>1961T</b>	19.6 x 1T-SK	-	-	-	-	-	17.94	21.65	26.76	
290	192			-	-	-	-	-	22.22	26.02	31.23	

Refer to table on page D1—53 for additional belts available.

## Selection Charts

### RC1315 (4430V BELT)

DRIVEN SPEED		PRODUCT NUMBER	GROOVED COMPANION SHEAVE	CENTER DISTANCE IN INCHES AT MAXIMUM AND MINIMUM SPEEDS								
1750 RPM Motor	1160 RPM Motor			BELT PART NUMBER								
				4430V 730	4430V 790	4430V 850	4430V 910	4430V 970	4430V 1090	4430V 1320	4430V 1610	
2028 676	1345 448	<b>1101W</b>	11.0 x 1W-SF	17.82	20.82	23.83	26.83	29.83	35.83	47.34	61.84	
				24.27	27.30	30.32	33.34	36.35	42.38	53.91	68.43	
1859 620	1233 411	<b>1201W</b>	12.0 x 1W-SF	17.05	20.06	23.06	26.06	29.06	35.06	46.56	61.06	
				23.39	26.43	29.46	32.49	35.51	41.54	53.08	67.61	
1716 572	1138 379	<b>1301W</b>	13.0 x 1W-SF	16.27	19.27	22.27	25.27	28.27	34.27	45.77	60.27	
				22.50	25.55	28.59	31.62	34.65	40.70	52.25	66.79	
1594 531	1056 352	<b>1401W</b>	14.0 x 1W-SF	15.47	18.48	21.48	24.48	27.48	33.48	44.98	59.48	
				21.58	24.65	27.70	30.75	33.79	39.84	51.41	65.97	
1488 496	986 329	<b>1501W</b>	15.0 x 1W-SF	-	17.66	20.67	23.67	26.68	32.68	44.19	58.69	
				-	23.73	26.80	29.86	32.91	38.98	50.57	65.14	
1395 465	924 308	<b>1601W</b>	16.0 x 1W-SF	-	16.83	19.84	22.85	25.86	31.87	43.38	57.89	
				-	22.80	25.89	28.96	32.02	38.11	49.72	64.30	
1240 413	822 274	<b>1801W</b>	18.0 x 1W-SF	-	-	18.14	21.17	24.19	30.22	41.76	56.28	
				-	-	23.99	27.10	30.19	36.33	47.99	62.61	
1116 372	740 247	<b>2001W</b>	20.0 x 1W-SF	-	-	-	19.41	22.46	28.53	40.10	54.64	
				-	-	-	25.17	28.30	34.50	46.23	60.90	
1014 338	672 224	<b>2201W</b>	22.0 x 1W-SF	-	-	-	-	20.65	26.78	38.40	52.98	
				-	-	-	-	26.34	32.61	44.43	59.16	
930 310	616 205	<b>2401W</b>	24.0 x 1W-SF	-	-	-	-	-	24.96	36.67	51.30	
				-	-	-	-	-	30.66	42.60	57.40	
797 266	528 176	<b>2801W</b>	28.0 x 1W-E	-	-	-	-	-	-	33.06	47.84	
				-	-	-	-	-	-	38.78	53.77	

### RC1330 (4430V BELT)

DRIVEN SPEED		PRODUCT NUMBER	GROOVED COMPANION SHEAVE	CENTER DISTANCE IN INCHES AT MAXIMUM AND MINIMUM SPEEDS								
1750 RPM Motor	1160 RPM Motor			BELT PART NUMBER								
				4430V 730	4430V 790	4430V 850	4430V 910	4430V 970	4430V 1090	4430V 1320	4430V 1610	
2028 737	1345 488	<b>1101W</b>	11.0 x 1W-SF	17.82	20.82	23.83	26.83	29.83	35.83	47.34	61.84	
				23.99	27.02	30.04	33.06	36.07	42.09	53.62	68.14	
1859 675	1233 448	<b>1201W</b>	12.0 x 1W-SF	17.05	20.06	23.06	26.06	29.06	35.06	46.56	61.06	
				23.12	26.16	29.19	32.21	35.23	41.26	52.80	67.33	
1716 623	1138 413	<b>1301W</b>	13.0 x 1W-SF	16.27	19.27	22.27	25.27	28.27	34.27	45.77	60.27	
				22.23	25.28	28.32	31.35	34.38	40.42	51.97	66.51	
1594 579	1056 384	<b>1401W</b>	14.0 x 1W-SF	15.47	18.48	21.48	24.48	27.48	33.48	44.98	59.48	
				21.32	24.39	27.44	30.48	33.51	39.57	51.13	65.68	
1488 540	986 358	<b>1501W</b>	15.0 x 1W-SF	-	17.66	20.67	23.67	26.68	32.68	44.19	58.69	
				-	23.47	26.54	29.59	32.64	38.71	50.29	64.86	
1395 506	924 336	<b>1601W</b>	16.0 x 1W-SF	-	16.83	19.84	22.85	25.86	31.87	43.38	57.89	
				-	22.54	25.63	28.69	31.75	37.84	49.44	64.02	
1240 450	822 298	<b>1801W</b>	18.0 x 1W-SF	-	-	18.14	21.17	24.19	30.22	41.76	56.28	
				-	-	23.74	26.85	29.93	36.06	47.72	62.34	
1116 405	740 269	<b>2001W</b>	20.0 x 1W-SF	-	-	-	19.41	22.46	28.53	40.10	54.64	
				-	-	-	24.92	28.05	34.24	45.96	60.63	
1014 368	672 244	<b>2201W</b>	22.0 x 1W-SF	-	-	-	-	20.65	26.78	38.40	52.98	
				-	-	-	-	26.09	32.36	44.17	58.89	
930 338	616 224	<b>2401W</b>	24.0 x 1W-SF	-	-	-	-	-	24.96	36.67	51.30	
				-	-	-	-	-	30.41	42.34	57.13	
797 289	528 192	<b>2801W</b>	28.0 x 1W-E	-	-	-	-	-	-	33.06	47.84	
				-	-	-	-	-	-	38.53	53.51	

Refer to table on page D1-53 for additional belts available.

## Interchange

WOOD'S			LOVEJOY			MAUREY			HI-LO		
Model No.	Belt	Max. Pitch	Model No.	Belt	Max. Pitch	Model No.	Belt	Max. Pitch	Model No.	Belt	Max. Pitch
VC30	A	3.35	3403	A	3.13	6325	A or B	3.00	-	-	-
VC40	A	4.00	4005	A	3.75	6400	A or B	3.90	-	-	-
			3405	A	3.13						
			5005A	A	4.75						
VC51	B	5.10	5010	B	4.65	6500	A or B	4.84	30TBR	A	3.13
			5010A	A	4.75						
			3407	A	3.13						
			4007	A	3.75						
VC57	B	5.75	6010	B	5.65	6600	B	5.84	50TBR	B	3.06
			6020	B	5.65	66150	B	5.84			
						66200	B	5.84			

## ROTO-CONE SHEAVE INTERCHANGE

WOOD'S		LEWELLEN		LOVEJOY	
Model No.	Max. Pitch	Model No.	Max. Pitch	Model No.	Max. Pitch
RC55	5.25	-	-	245	5.80
RC60	5.75	-	-	-	-
RC75	7.25	408	7.50	301	7.28
RC80	7.75	409	8.75	3030	8.12
RC105	10.38	411	10.75	401	10.60
				402	10.40
				403	10.60
				303	9.60
RC100	9.75			3050	9.60
RC1315	12.75	412/15	11.68	3075	12.50
				3100	12.50
				3150	12.50
RC1330	12.75	-	-	-	-