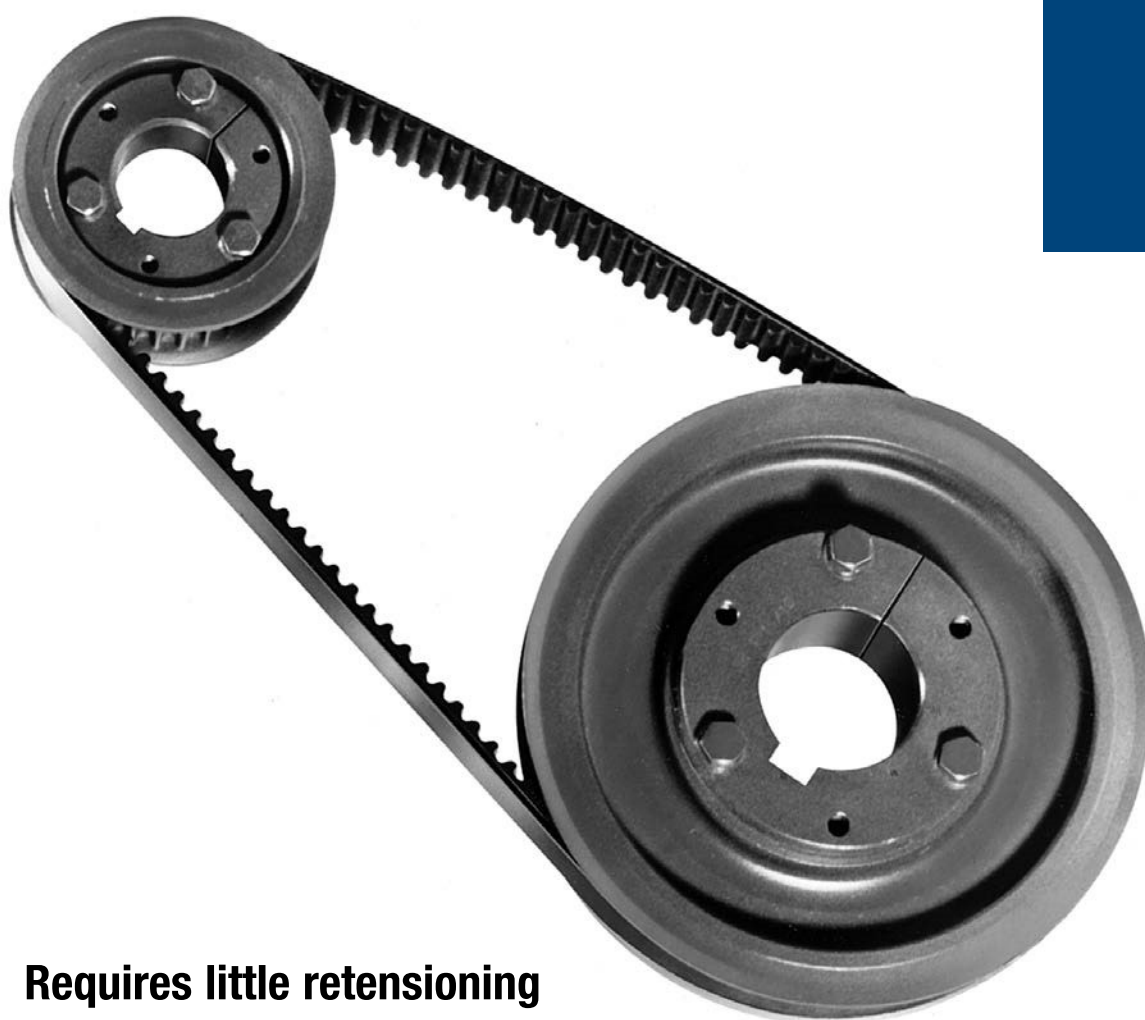


QT Power Chain Sprockets & Belts

C2



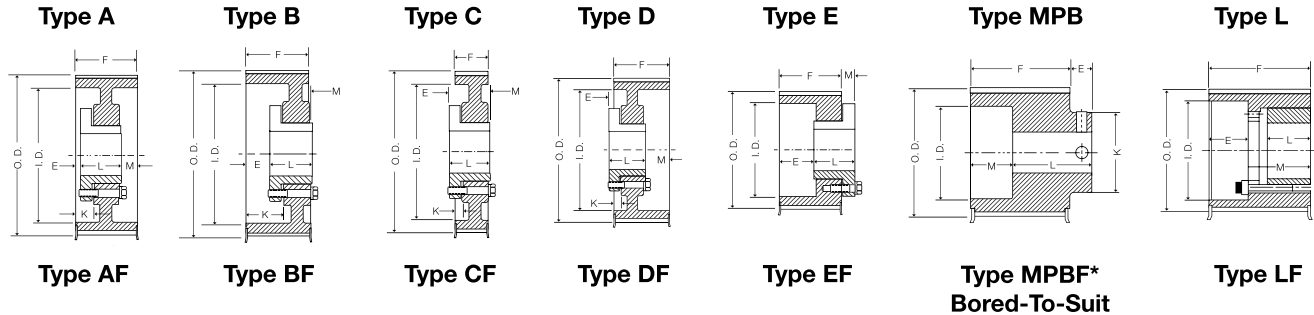
- **Requires little retensioning**
- **Abrasion resistant**
- **Less drive maintenance**

QT Power Chain Sprocket 8M

Dimensions

SPROCKET TYPES

The QT Power Chain sprockets listed in the tables below are all stock sizes. All dimensions given are for the sprocket with the Sure-Grip bushing in place and are in inches only.



The figure following the sketch reference letter in the "Type" column indicates the construction of the sprocket. (1 = Solid, 2 = Web, and 3 = Arms), and the letter "F" indicates that the sprocket has flanges.

PRODUCT NO.	BUSHING	NO. OF TEETH	DIAMETERS				TYPE	DIMENSIONS (INCHES)				BORE		WT.
			P.D.	O.D.		I.D.		E	K	L	M	Min.	Max.	
				Sprocket	Flange									
FOR BELTS 12 mm (.47 in.) WIDE • 8mm PITCH (8M-12) Face Width (F) = 21 mm (.83 in.) Dual Drilled (inch/metric) ①														
W228M12*	-	22	2.206	2.152	2.56	-	MPB1F	0.62	1.62	1.45	-	0.500*	1.000	0.9
W248M12	JA	24	2.406	2.352	2.76	1.34	E1F	0.30	-	1.00	0.47	0.500	1.250	1.3
W268M12	JA	26	2.607	2.553	2.95	1.88	E1F	0.30	-	1.00	0.47	0.500	1.250	1.4
W288M12	QT	28	2.807	2.759	3.15	-	E1F	-0.04	-	1.25	0.38	0.500	1.500	1.3
W308M12	QT	30	3.008	2.958	3.35	-	E1F	-0.04	-	1.25	0.38	0.500	1.500	1.5
W328M12	QT	32	3.208	3.156	3.54	-	E1F	-0.04	-	1.25	0.38	0.500	1.500	1.7
W348M12	SH	34	3.409	3.355	3.82	-	D1F	0.56	-	1.25	0.14	0.500	1.688	2.0
W368M12	SH	36	3.609	3.555	3.94	-	D1F	0.56	-	1.25	0.14	0.500	1.688	2.2
W388M12	SH	38	3.810	3.756	4.13	-	D1F	0.56	-	1.25	0.14	0.500	1.688	2.4
W408M12	SH	40	4.010	3.956	4.33	-	D1F	0.56	-	1.25	0.14	0.500	1.688	2.6
W448M12	SDS	44	4.411	4.357	4.76	3.50	D1F	0.55	0.08	1.31	0.06	0.500	2.000	3.3
W488M12	SDS	48	4.812	4.758	5.16	3.80	D1F	0.55	0.08	1.31	0.06	0.500	2.000	3.8
W568M12	SDS	56	5.614	5.560	5.95	4.60	D1F	0.55	0.08	1.31	0.06	0.500	2.000	5.1
W648M12	SDS	64	6.416	6.362	6.77	5.40	D1F	0.55	0.08	1.31	0.06	0.500	2.000	6.6
W728M12	SDS	72	7.218	7.164	7.60	6.20	D2F	0.55	0.08	1.31	0.06	0.500	2.000	6.3
W808M12	SDS	80	8.020	7.966	8.39	6.90	D2F	0.55	0.08	1.31	0.06	0.500	2.000	7.9
W908M12	SDS	90	9.023	8.969	-	7.90	D3	0.55	0.08	1.31	0.06	0.500	2.000	7.5
W1128M12	SK	112	11.229	11.175	-	10.00	C3	0.72	-	1.88	0.33	0.500	2.625	14.6
W1448M12	SK	144	14.437	14.370	-	13.20	C3	0.72	-	1.88	0.33	0.500	2.625	20.9
W1928M12	SF	192	19.249	19.176	-	18.00	C3	0.69	-	2.00	0.48	0.500	2.938	35.6

Weights for all Sure-Grip bushed items are approximate and include the bushing.

*Bored-To-Suit construction, minimum plain bore with 2 setscrews.

Refer to page C2-9 for balancing standards.

① Drilled for both inch and metric bushing hardware. On new production manufactured after Oct. 1, 1998.

QT Power Chain Sprocket 8M

Dimensions

PRODUCT NO.	BUSH-ING	NO. OF TEETH	DIAMETERS				TYPE	DIMENSIONS (INCHES)				BORE		WT.
			P.D.	O.D.		I.D.		E	K	L	M	Min.	Max.	
				Sprocket	Flange									
FOR BELTS 22 mm (.86 in.) WIDE • 8mm PITCH (8M-22) Face Width (F) = 31 mm (1.22 in.) Dual Drilled (inch/metric) ①														
W228M22*	-	22	2.206	2.152	2.56	-	MPB1F	0.62	1.62	1.84	-	0.500*	1.000	1.2
W248M22	JA	24	2.406	2.352	2.76	1.34	E1F	0.69	-	1.00	0.47	0.500	1.250	1.5
W268M22	JA	26	2.607	2.553	2.95	1.88	E1F	0.69	-	1.00	0.47	0.500	1.250	1.5
W288M22	QT	28	2.807	2.759	3.15	1.57	E1F	0.35	-	1.25	0.38	0.500	1.500	1.7
W308M22	QT	30	3.008	2.958	3.35	1.57	E1F	0.35	-	1.25	0.38	0.500	1.500	1.9
W328M22	QT	32	3.208	3.156	3.54	2.56	C1F	0.03	0.35	1.25	-	0.500	1.500	1.9
W348M22	SH	34	3.409	3.355	3.82	2.75	D1F	0.16	0.41	1.25	0.13	0.500	1.688	2.1
W368M22	SH	36	3.609	3.555	3.94	2.81	D1F	0.16	0.41	1.25	0.13	0.500	1.688	2.4
W388M22	SH	38	3.810	3.756	4.13	3.00	D1F	0.16	0.41	1.25	0.13	0.500	1.688	2.7
W408M22	SH	40	4.010	3.956	4.33	3.00	D1F	0.16	0.41	1.25	0.13	0.500	1.688	3.1
W448M22	SDS	44	4.411	4.357	4.76	3.50	D1F	0.16	0.47	1.31	0.06	0.500	2.000	3.7
W488M22	SDS	48	4.812	4.758	5.16	3.80	D1F	0.16	0.47	1.31	0.06	0.500	2.000	4.4
W568M22	SDS	56	5.614	5.560	5.95	4.60	D1F	0.16	0.47	1.31	0.06	0.500	2.000	5.7
W648M22	SDS	64	6.416	6.362	6.77	5.40	D1F	0.16	0.47	1.31	0.06	0.500	2.000	7.3
W728M22	SDS	72	7.218	7.164	7.60	6.20	D2F	0.18	0.44	1.31	0.09	0.500	2.000	7.2
W808M22	SDS	80	8.020	7.966	8.39	6.90	D2F	0.18	0.44	1.31	0.09	0.500	2.000	9.0
W908M22	SDS	90	9.023	8.969	-	7.90	D3	0.18	0.44	1.31	0.09	0.500	2.000	8.7
W1128M22	SK	112	11.229	11.175	-	10.00	C3	0.47	0.25	1.88	0.19	0.500	2.625	16.3
W1448M22	SK	144	14.437	14.370	-	13.20	C3	0.47	0.25	1.88	0.19	0.500	2.625	23.2
W1928M22	SF	192	19.249	19.176	-	18.00	C3	0.44	0.25	2.00	0.34	0.500	2.938	38.7
FOR BELTS 35 mm (1.38 in.) WIDE • 8mm PITCH (8M-35) Face Width (F) = 44 mm (1.73 in.) Dual Drilled (inch/metric) ①														
W228M35*	-	22	2.206	2.152	2.56	-	MPB1F	0.62	1.62	2.35	-	0.500*	1.000	1.6
W248M35*	-	24	2.406	2.352	2.76	-	MPB1F	0.62	1.81	2.35	-	0.500*	1.125	2.0
W268M35*	-	26	2.607	2.553	2.95	-	MPB1F	0.62	2.00	2.35	-	0.500*	1.250	2.4
W288M35	QT	28	2.807	2.759	3.15	1.57	E1F	0.86	-	1.25	0.38	0.500	1.500	2.1
W308M35	QT	30	3.008	2.958	3.35	1.57	E1F	0.86	-	1.25	0.38	0.500	1.500	2.4
W328M35	QT	32	3.208	3.158	3.54	2.56	A1F	0.25	0.62	1.25	0.48	0.500	1.500	2.2
W348M35	SH	34	3.409	3.355	3.82	2.75	A1F	0.06	0.62	1.25	0.42	0.500	1.688	2.4
W368M35	SH	36	3.609	3.555	3.94	2.81	A1F	0.06	0.62	1.25	0.42	0.500	1.688	2.8
W388M35	SH	38	3.810	3.756	4.13	3.00	A1F	0.06	0.62	1.25	0.42	0.500	1.688	3.1
W408M35	SH	40	4.010	3.956	4.33	3.00	D1F	0.06	0.50	1.25	0.55	0.500	1.688	3.5
W448M35	SD	44	4.411	4.357	4.76	3.50	D1F	0.38	0.25	1.81	0.29	0.500	2.000	5.3
W488M35	SD	48	4.812	4.758	5.16	3.80	D1F	0.38	0.25	1.81	0.29	0.500	2.000	6.4
W568M35	SK	56	5.614	5.560	5.95	4.60	D1F	0.47	0.25	1.88	0.32	0.500	2.625	8.6
W648M35	SK	64	6.416	6.362	6.77	5.40	D1F	0.47	0.25	1.88	0.32	0.500	2.625	11.2
W728M35	SK	72	7.218	7.164	7.60	6.20	D1F	0.47	0.25	1.88	0.32	0.500	2.625	14.0
W808M35	SF	80	8.020	7.966	8.39	6.90	D2F	0.44	0.25	2.00	0.17	0.500	2.938	14.7
W908M35	SF	90	9.023	8.969	-	7.90	D2	0.44	0.25	2.00	0.17	0.500	2.938	17.5
W1128M35	SF	112	11.229	11.175	-	10.00	D3	0.44	0.25	2.00	0.17	0.500	2.938	20.6
W1448M35	E	144	14.437	14.383	-	13.20	C3	0.80	0.11	2.62	0.09	0.875	3.500	35.2
W1928M35	E	192	19.249	19.195	-	18.00	C3	0.80	0.11	2.62	0.09	0.875	3.500	54.1
FOR BELTS 60 mm (2.36 in.) WIDE • 8mm PITCH (8M-60) Face Width (F) = 70 mm (2.76 in.) Dual Drilled (inch/metric) ①														
W228M60*	-	22	2.206	2.152	2.56	-	MPB1F	0.62	1.62	3.38	-	0.750*	1.000	2.2
W248M60*	-	24	2.406	2.352	2.76	-	MPB1F	0.62	1.81	3.38	-	0.750*	1.125	2.7
W268M60*	-	26	2.607	2.553	2.95	-	MPB1F	0.62	2.00	3.38	-	0.750*	1.250	3.3
W288M60*	-	28	2.807	2.759	3.15	-	MPB1F	0.62	2.28	3.38	-	0.750*	1.500	4.0
W308M60*	-	30	3.008	2.958	3.35	-	MPB1F	0.62	2.47	3.38	-	0.750*	1.625	4.8
W328M60*	-	32	3.208	3.156	3.54	-	MPB1F	0.75	2.69	3.51	-	0.750*	1.875	5.7
W348M60*	-	34	3.409	3.355	3.82	-	MPB1F	0.75	2.94	3.51	-	0.750*	2.000	6.6
W368M60	SKL	36	3.609	3.555	3.94	2.81	L1F	0.79	-	1.13	1.97	0.500	1.938	3.6
W388M60	SKL	38	3.810	3.756	4.13	3.00	L1F	0.79	-	1.13	1.97	0.500	1.938	4.3
W408M60	SKL	40	4.010	3.956	4.33	3.00	L1F	0.79	-	1.13	1.97	0.500	1.938	5.1
W448M60	SFL	44	4.411	4.357	4.76	3.50	L1F	0.79	-	1.13	1.97	0.500	2.375	5.9
W488M60	SFL	48	4.812	4.758	5.16	3.63	L1F	0.79	-	1.13	1.97	0.500	2.375	7.5
W568M60	EL	56	5.614	5.560	5.95	4.60	L1F	0.38	-	1.50	2.38	0.875	2.875	11.4
W648M60	SF	64	6.416	6.362	6.77	5.40	A1F	0.06	0.75	2.00	0.70	0.500	2.938	13.6
W728M60	E	72	7.218	7.164	7.60	6.20	A1F	0.09	1.00	2.62	0.05	0.875	3.500	21.8
W808M60	E	80	8.020	7.966	8.39	6.90	A1F	0.09	1.00	2.62	0.05	0.875	3.500	26.3
W908M60	E	90	9.023	8.969	-	7.90	A1	0.09	1.00	2.62	0.05	0.875	3.500	32.3
W1128M60	F	112	11.229	11.175	-	10.00	C1	0.80	0.26	3.62	0.06	1.000	4.000	65.7
W1448M60	F	144	14.437	14.383	-	13.20	C3	0.80	0.26	3.62	0.06	1.000	4.000	58.1
W1928M60	F	192	19.249	19.195	-	18.00	C3	0.80	0.26	3.62	0.06	1.000	4.000	74.4

Weights for all Sure-Grip bushed items are approximate and include the bushing.

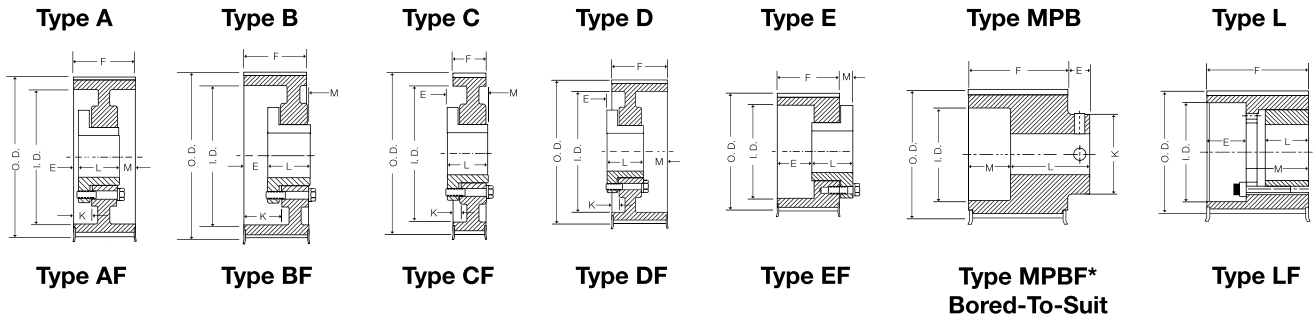
*Bored-To-Suit construction, minimum plain bore with 2 setscrews.

Refer to page C2-9 for balancing standards.

① Drilled for both inch and metric bushing hardware. On new production manufactured after Oct. 1, 1998.

QT Power Chain Sprocket 14M

Dimensions



The figure following the sketch reference letter in the "Type" column indicates the construction of the sprocket. (1 = Solid, 2 = Web, and 3 = Arms), and the letter "F" indicates that the sprocket has flanges.

PRODUCT NO.	BUSH-ING	NO. OF TEETH	DIAMETERS				TYPE	DIMENSIONS (INCHES)				BORE		WT.
			P.D.	O.D.		I.D.		E	K	L	M	Min.	Max.	
				Sprocket	Flange									
FOR BELTS 20 mm (.79 in.) WIDE • 14mm PITCH (14M-20) Face Width (F) = 31 mm (1.22 in.) Dual Drilled (inch/metric) ①														
W2814M20	SK	28	4.912	4.802	5.56	-	D1F	0.71	-	1.88	0.06	0.500	2.625	5.6
W2914M20	SK	29	5.088	4.978	5.56	-	D1F	0.71	-	1.88	0.06	0.500	2.625	6.0
W3014M20	SK	30	5.263	5.153	5.56	-	D1F	0.71	-	1.88	0.06	0.500	2.625	6.4
W3214M20	SK	32	5.614	5.504	6.09	-	D1F	0.71	-	1.88	0.06	0.500	2.625	7.3
W3414M20	SK	34	5.965	5.855	6.50	-	D1F	0.71	-	1.88	0.06	0.500	2.625	8.2
W3614M20	SF	36	6.316	6.206	6.87	-	C1F	0.69	-	2.00	0.09	0.500	2.938	9.8
W3814M20	SF	38	6.667	6.557	7.22	-	C1F	0.69	-	2.00	0.09	0.500	2.938	10.9
W4014M20	SF	40	7.018	6.908	7.50	-	C1F	0.69	-	2.00	0.09	0.500	2.938	12.0
W4414M20	E	44	7.720	7.610	8.34	-	C1F	0.91	-	2.62	0.50	0.875	3.500	19.8
W4814M20	E	48	8.421	8.311	8.90	-	C1F	0.91	-	2.62	0.50	0.875	3.500	22.5
W5214M20	E	52	9.123	9.013	9.68	-	C1F	0.91	-	2.62	0.50	0.875	3.500	25.4
W5614M20	E	56	9.825	9.715	10.38	-	C1F	0.91	-	2.62	0.50	0.875	3.500	28.5
W6014M20	E	60	10.527	10.417	11.06	-	C1F	0.91	-	2.62	0.50	0.875	3.500	32.8
W6414M20	E	64	11.229	11.119	11.68	9.25	C2F	0.91	-	2.62	0.50	0.875	3.500	30.6
W6814M20	E	68	11.930	11.820	12.50	10.00	C2F	0.91	-	2.62	0.50	0.875	3.500	32.7
W7214M20	E	72	12.632	12.522	13.19	10.69	C2F	0.91	-	2.62	0.50	0.875	3.500	31.4
W8014M20	E	80	14.036	13.926	14.63	12.12	C2F	0.91	-	2.62	0.50	0.875	3.500	35.3
W9014M20	E	90	15.790	15.680	-	14.50	C3	1.09	-0.19	2.62	0.31	0.875	3.500	37.2
W11214M20	E	112	19.650	19.540	-	18.38	C3	1.09	-0.19	2.62	0.31	0.875	3.500	46.9
W14414M20	E	144	25.264	25.154	-	23.88	C3	1.09	-0.19	2.62	0.31	0.875	3.500	71.1
W16814M20	F	168	29.475	29.365	-	27.97	C3	1.50	-0.44	3.62	0.91	1.000	4.000	94.0
W19214M20	J	192	33.686	33.576	-	31.95	C3	1.94	-0.69	4.50	1.34	1.438	4.500	166.0
W21614M20	J	216	37.896	37.786	-	35.81	C3	1.94	-0.69	4.50	1.34	1.438	4.500	192.0
FOR BELTS 42 mm (1.65 in.) WIDE • 14mm PITCH (14M-42) Face Width (F) = 53 mm (2.09 in.) Dual Drilled (inch/metric) ①														
W2814M42	SK	28	4.912	4.802	5.56	-	E1F	0.94	-	1.88	0.72	0.500	2.625	7.5
W2914M42	SK	29	5.088	4.978	5.56	-	E1F	0.94	-	1.88	0.72	0.500	2.625	8.2
W3014M42	SK	30	5.263	5.153	5.56	4.04	D1F	0.30	0.42	1.88	0.51	0.500	2.625	7.9
W3214M42	SK	32	5.614	5.504	6.09	4.04	D1F	0.30	0.42	1.88	0.51	0.500	2.625	9.4
W3414M42	SF	34	5.965	5.855	6.50	4.44	E1F	0.78	0.00	2.00	0.68	0.500	2.938	10.8
W3614M42	SF	36	6.316	6.206	6.87	4.84	D1F	0.26	0.42	2.00	0.36	0.500	2.938	11.9
W3814M42	SF	38	6.667	6.557	7.22	4.94	D1F	0.26	0.42	2.00	0.36	0.500	2.938	13.6
W4014M42	SF	40	7.018	6.908	7.50	5.06	D1F	0.26	0.42	2.00	0.36	0.500	2.938	15.3
W4414M42	E	44	7.720	7.610	8.34	6.12	D1F	0.67	0.23	2.62	0.14	0.875	3.500	22.4
W4814M42	E	48	8.421	8.311	8.90	6.50	D1F	0.67	0.23	2.62	0.14	0.875	3.500	16.6
W5214M42	E	52	9.123	9.013	9.68	7.18	D1F	0.67	0.23	2.62	0.14	0.875	3.500	30.7
W5614M42	E	56	9.825	9.715	10.38	7.88	D1F	0.67	0.23	2.62	0.14	0.875	3.500	35.2
W6014M42	E	60	10.527	10.417	11.06	8.50	D1F	0.67	0.23	2.62	0.14	0.875	3.500	40.1
W6414M42	E	64	11.229	11.119	11.68	9.25	D2F	0.67	0.23	2.62	0.14	0.875	3.500	36.2
W6814M42	E	68	11.930	11.820	12.50	10.00	D2F	0.67	0.23	2.62	0.14	0.875	3.500	38.6
W7214M42	E	72	12.632	12.522	13.19	10.69	D2F	0.67	0.23	2.62	0.14	0.875	3.500	37.8
W8014M42	E	80	14.036	13.926	14.63	12.12	D2F	0.67	0.23	2.62	0.14	0.875	3.500	42.3
W9014M42	F	90	15.790	15.680	-	14.50	C3	1.06	-	3.62	0.47	1.000	4.000	56.0
W11214M42	F	112	19.650	19.540	-	18.38	C3	1.06	-	3.62	0.47	1.000	4.000	74.1
W14414M42	F	144	25.264	25.147	-	23.88	C3	1.06	-	3.62	0.47	1.000	4.000	112.1
W16814M42	F	168	29.475	29.365	-	28.25	C3	1.06	-	3.62	0.47	1.000	4.000	148.4
W19214M42	J	192	33.686	33.576	-	32.38	C3	1.50	-0.25	4.50	0.91	1.438	4.500	177.0
W21614M42	J	216	37.896	37.786	-	36.38	C3	1.50	-0.25	4.50	0.91	1.438	4.500	206.0

Weights for all Sure-Grip bushed items are approximate and include the bushing.

Refer to page C2-9 for balancing standards.

① Drilled for both inch and metric bushing hardware up thru W168-14M sprocket. On new production manufactured after Oct. 1, 1998.

QT Power Chain Sprocket 14M

PRODUCT NO.	BUSH-ING	NO. OF TEETH	DIAMETERS				TYPE	DIMENSIONS (INCHES)				BORE		WT.
			P.D.	O.D.		I.D.		E	K	L	M	Min.	Max.	
				Sprocket	Flange									
FOR BELTS 65 mm (2.56 in.) WIDE • 14mm PITCH (14M-65) Face Width (F) = 77 mm (3.03 in.)														
W2814M65	SFL	28	4.912	4.802	5.56	3.25	L1F	1.06	-	1.13	1.97	0.500	2.375	8.3
W2914M65	SFL	29	5.088	4.978	5.56	3.25	L1F	1.06	-	1.13	1.97	0.500	2.375	9.3
W3014M65	EL	30	5.263	5.153	5.56	3.94	L1F	0.65	-	1.50	2.38	0.875	2.875	9.2
W3214M65	EL	32	5.614	5.504	6.09	3.94	L1F	0.65	-	1.50	2.38	0.875	2.875	11.4
W3414M65	EL	34	5.965	5.855	6.50	4.06	L1F	0.65	-	1.50	2.38	0.875	2.875	13.6
W3614M65	FL	36	6.316	6.206	6.87	-	L1F	-0.47	-	2.50	3.50	1.000	3.125	18.5
W3814M65	FL	38	6.667	6.557	7.22	-	L1F	-0.47	-	2.50	3.50	1.000	3.125	21.5
W4014M65	FL	40	7.018	6.908	7.50	-	L1F	-0.47	-	2.50	3.50	1.000	3.125	24.5
W4414M65	E	44	7.720	7.610	8.34	6.12	D1F	0.03	0.88	2.62	0.44	0.875	3.500	25.5
W4814M65	E	48	8.421	8.311	8.90	6.50	D1F	0.03	0.88	2.62	0.44	0.875	3.500	30.8
W5214M65	E	52	9.123	9.013	9.68	7.18	D1F	0.03	0.88	2.62	0.44	0.875	3.500	35.4
W5614M65	F	56	9.825	9.715	10.38	7.88	C1F	0.53	0.53	3.62	0.06	1.000	4.000	51.1
W6014M65	F	60	10.527	10.417	11.06	8.50	C1F	0.53	0.53	3.62	0.06	1.000	4.000	58.5
W6414M65	F	64	11.229	11.119	11.68	9.25	C1F	0.53	0.53	3.62	0.06	1.000	4.000	66.1
W6814M65	F	68	11.930	11.820	12.50	10.00	C2F	0.53	0.53	3.62	0.06	1.000	4.000	59.2
W7214M65	F	72	12.632	12.522	13.19	10.69	C2F	0.53	0.53	3.62	0.06	1.000	4.000	63.2
W8014M65	F	80	14.036	13.926	14.63	12.12	C2F	0.53	0.53	3.62	0.06	1.000	4.000	65.5
W9014M65	F	90	15.790	15.680	-	14.50	C3	0.53	0.53	3.62	0.06	1.000	4.000	64.7
W11214M65	J	112	19.650	19.540	-	18.25	C3	1.25	-	4.50	0.22	1.438	4.500	102.6
W14414M65	M	144	25.264	25.154	-	23.88	C3	1.97	-0.50	6.75	1.75	1.938	5.500	240.0
W16814M65	M	168	29.475	29.365	-	28.09	C3	1.97	-0.50	6.75	1.75	1.938	5.500	238.0
W19214M65	M	192	33.686	33.576	-	32.25	C3	1.97	-0.50	6.75	1.75	1.938	5.500	310.3
W21614M65	M	216	37.896	37.786	-	36.38	C3	1.97	-0.50	6.75	1.75	1.938	5.500	349.3
FOR BELTS 90 mm (3.54 in.) WIDE • 14mm PITCH (14M-90) Face Width (F) = 103 mm (4.06 in.)														
W2814M90*	-	28	4.912	4.802	5.56	-	MPB1F	1.00	3.69	5.06	-	0.875*	2.625	18.9
W2914M90*	-	29	5.088	4.978	5.56	-	MPB1F	1.00	3.69	5.06	-	0.875*	2.625	20.2
W3014M90	EL	30	5.263	5.153	5.56	3.94	L1F	1.68	-	1.50	2.38	0.875	2.875	10.9
W3214M90	EL	32	5.614	5.504	6.09	3.94	L1F	1.68	-	1.50	2.38	0.875	2.875	13.9
W3414M90	EL	34	5.965	5.855	6.50	4.06	L1F	1.68	-	1.50	2.38	0.875	2.875	16.7
W3614M90	FL	36	6.316	6.206	6.87	4.69	L1F	0.56	-	2.38	3.50	1.000	3.125	20.9
W3814M90	FL	38	6.667	6.557	7.22	4.94	L1F	0.56	-	2.38	3.50	1.000	3.125	24.2
W4014M90	FL	40	7.018	6.908	7.50	5.06	L1F	0.56	-	2.38	3.50	1.000	3.125	27.8
W4414M90	FL	44	7.720	7.610	8.34	6.12	L1F	0.56	-	2.38	3.50	1.000	3.125	34.6
W4814M90	FL	48	8.421	8.311	8.90	6.50	L1F	0.56	-	2.38	3.50	1.000	3.125	42.9
W5214M90	F	52	9.123	9.013	9.68	7.18	D1F	0.28	0.78	3.62	0.72	1.000	4.000	49.5
W5614M90	F	56	9.825	9.715	10.38	7.88	D1F	0.28	0.78	3.62	0.72	1.000	4.000	56.7
W6014M90	F	60	10.527	10.417	11.06	8.50	D1F	0.28	0.78	3.62	0.72	1.000	4.000	64.9
W6414M90	F	64	11.229	11.119	11.68	9.25	D1F	0.28	0.78	3.62	0.72	1.000	4.000	72.8
W6814M90	F	68	11.930	11.820	12.50	10.00	D2F	0.28	0.78	3.62	0.72	1.000	4.000	68.5
W7214M90	F	72	12.632	12.522	13.19	10.69	D2F	0.28	0.78	3.62	0.72	1.000	4.000	73.8
W8014M90	J	80	14.036	13.926	14.63	12.12	C2F	0.38	0.88	4.50	0.06	1.438	4.500	94.6
W9014M90	J	90	15.790	15.680	-	14.50	C2	0.38	0.88	4.50	0.06	1.438	4.500	97.4
W11214M90	J	112	19.650	19.540	-	18.25	C3	0.38	0.88	4.50	0.06	1.438	4.500	110.6
W14414M90	M	144	25.264	25.154	-	23.88	C3	1.47	0.00	6.75	1.22	1.938	5.500	246.3
W16814M90	M	168	29.475	29.365	-	28.09	C3	1.47	-	6.75	1.22	1.938	5.500	281.3
W19214M90	M	192	33.686	33.576	-	32.25	C3	1.47	-	6.75	1.22	1.938	5.500	325.3
W21614M90	M	216	37.896	37.786	-	36.38	C3	1.47	-	6.75	1.22	1.938	5.500	423.3
FOR BELTS 120 mm (4.72 in.) WIDE • 14mm PITCH (14M-120) Face Width (F) = 133 mm (5.24 in.)														
W2814M120*	-	28	4.912	4.802	5.56	3.38	MPB1F	1.00	3.69	5.00	1.24	1.250*	2.625	20.1
W2914M120*	-	29	5.088	4.978	5.56	3.38	MPB1F	1.00	3.69	5.00	1.24	1.250*	2.625	22.0
W3014M120	EL	30	5.263	5.153	5.56	3.94	L1F	2.86	-	1.50	2.38	0.875	2.875	13.0
W3214M120	EL	32	5.614	5.504	6.09	3.94	L1F	2.86	-	1.50	2.38	0.875	2.875	16.7
W3414M120	FL	34	5.965	5.855	6.50	4.44	L1F	1.74	-	2.38	3.50	1.000	3.125	20.9
W3614M120	FL	36	6.316	6.206	6.87	4.69	L1F	1.74	-	2.38	3.50	1.000	3.125	23.5
W3814M120	FL	38	6.667	6.557	7.22	4.94	L1F	1.74	-	2.38	3.50	1.000	3.125	27.8
W4014M120	FL	40	7.018	6.908	7.50	5.06	L1F	1.74	-	2.38	3.50	1.000	3.125	32.2
W4414M120	FL	44	7.720	7.610	8.34	6.12	L1F	1.74	-	2.38	3.50	1.000	3.125	41.5
W4814M120	FL	48	8.421	8.311	8.90	6.50	L1F	1.74	-	2.38	3.50	1.000	3.125	48.3
W5214M120	F	52	9.123	9.013	9.68	7.18	A1F	0.31	1.38	3.62	1.30	1.000	4.000	55.4
W5614M120	F	56	9.825	9.715	10.38	7.88	A1F	0.31	1.38	3.62	1.30	1.000	4.000	63.2
W6014M120	F	60	10.527	10.417	11.06	8.50	A1F	0.31	1.38	3.62	1.30	1.000	4.000	72.2
W6414M120	J	64	11.229	11.119	11.68	9.25	D1F	0.23	1.02	4.50	0.97	1.438	4.500	93.3
W6814M120	J	68	11.930	11.820	12.50	10.00	D1F	0.23	1.02	4.50	0.97	1.438	4.500	104.1
W7214M120	J	72	12.632	12.522	13.19	10.69	D1F	0.23	1.02	4.50	0.97	1.438	4.500	116.0
W8014M120	J	80	14.036	13.926	14.63	12.12	D2F	0.23	1.02	4.50	0.97	1.438	4.500	104.1
W9014M120	M	90	15.790	15.680	-	14.50	C2	1.42	0.05	6.75	0.09	1.938	5.500	195.3
W11214M120	M	112	19.650	19.540	-	18.25	C3	1.42	0.05	6.75	0.09	1.938	5.500	193.3
W14414M120	M	144	25.264	25.154	-	23.63	C3	1.42	0.05	6.75	0.09	1.938	5.500	258.0
W16814M120	M	168	29.475	29.365	-	28.09	C3	1.42	0.05	6.75	0.09	1.938	5.500	319.3
W19214M120	N	192	33.686	33.576	-	32.25	C3	1.69	-	8.12	1.19	2.938	6.000	429.0
W21614M120	N	216	37.896	37.786	-	36.38	C3	1.69	-	8.12	1.19	2.938	6.000	487.0

Weights for all Sure-Grip bushed items are approximate and include the bushing.

*Bored-To-Suit construction, minimum plain bore with 2 setscrews.

Refer to page C2-9 for balancing standards.

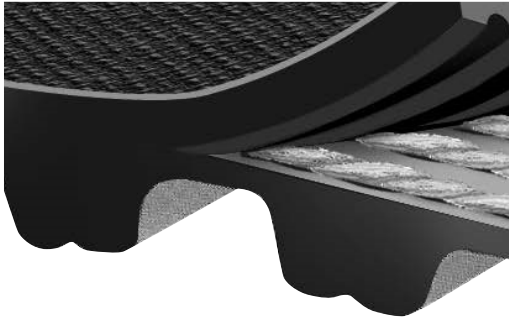
QT Power Chain

Construction

Q T P o w e r C h a i n[®] offers performance that soars.

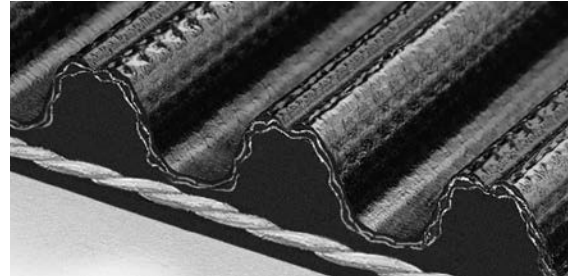
QT Power Chain[®] is a custom construction that offers a solution to problem drives. With its quality materials, yielding best-in-class performance, this durable synchronous belt can eliminate the unnecessary downtime that competitive belts offer. Designed for long life, QT Power Chain[®] can provide virtually maintenance-free operation.

RUBBER COMPOUNDING



This cross-linked elastomer is formulated to resist tooth deformity and increase tooth rigidity, increasing belt life and decreasing replacement costs. Its chemical stability resists the effects of oils, coolants, heat and ozone.

TOOTH PROFILE



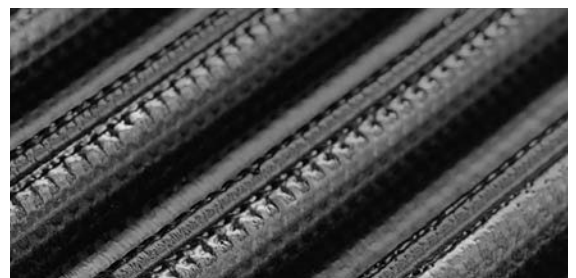
The demands of synchronous drives put additional strain on the belt and tooth surface, for high speed and low speed applications. The QT Power Chain[®] tooth profile resists ratcheting and provides accurate positioning for synchronous drive applications.



TENSILE MEMBERS

The tensile members provide excellent dimensional stability and high impact strength. Operating at a consistent tension, QT Power Chain[®] requires little retensioning and less drive maintenance.

TOOTH FACING / WEAR JACKETS



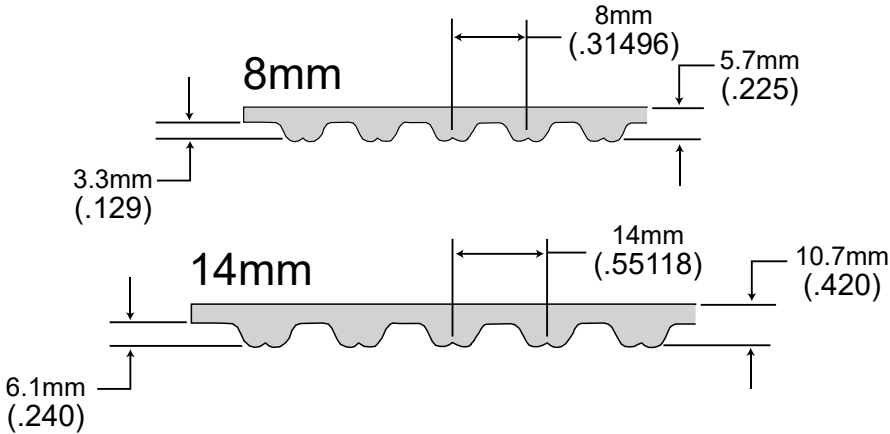
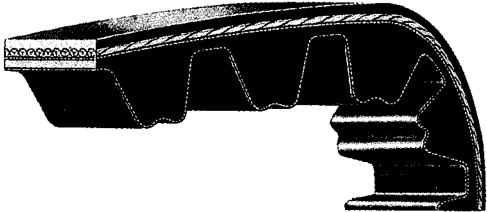
Designed for higher loads and abrasion resistance, the facing provides a reduced coefficient of friction so that the belt meshes easier with pulleys.

Tolerances

Belt Length (mm)	*Std. Length Tolerances (Center-to-Center)	Belt Length (mm)	*Std. Length Tolerances (Center-to-Center)
Over 254 to 381	±0.23	Over 3302 to 3556	±0.61
Over 381 to 508	±0.25	Over 3556 to 3810	±0.64
Over 508 to 762	±0.30	Over 3810 to 4064	±0.66
Over 762 to 1016	±0.33	Over 4064 to 4318	±0.69
Over 1016 to 1270	±0.38	Over 4318 to 4572	±0.71
Over 1270 to 1524	±0.41	Over 4572 to 4826	±0.74
Over 1524 to 1778	±0.43	Over 4826 to 5080	±0.76
Over 1778 to 2032	±0.46	Over 5080 to 5534	±0.79
Over 2032 to 2286	±0.48	Over 5534 to 5588	±0.81
Over 2286 to 2540	±0.51	Over 5588 to 5842	±0.84
Over 2540 to 2794	±0.53	Over 5842 to 6096	±0.86
Over 2794 to 3048	±0.56	Over 6096 to 6350	±0.89
Over 3048 to 3302	±0.58	Over 6350 to 6604	±0.91
		Over 6604 to 6860	±0.94

*NOTE: The length tolerances given for positive drive belts refer to the center to center tolerance between belts when checked on a standard measuring fixture. The actual pitch length tolerance is twice the value shown. If a special tension member is used consult the factory for proper length tolerances.

BELT DIMENSIONS



QT Power Chain Belts

Dimensions

QT POWER CHAIN 8mm PITCH SYNCHRONOUS BELTS*

Belt Length	Pitch Length (mm)	Pitch Length (inches)	No. of Teeth	Approx. Weight (Lbs)			
				12mm. 0.47in.	22mm. 0.87in.	35mm. 1.38in.	60mm. 2.36in.
480-8M	480	18.90	60	.08	.14	.23	.41
560-8M	560	22.05	70	.08	.18	.27	.43
600-8M	600	23.62	75	.10	.19	.29	.47
640-8M	640	25.20	80	.11	.20	.32	.50
720-8M	720	28.35	90	.12	.22	.35	.60
800-8M	800	31.50	100	.13	.24	.39	.67
880-8M	880	34.65	110	.15	.28	.43	.73
960-8M	960	37.80	120	.16	.30	.47	.80
1040-8M	1040	40.94	130	.17	.32	.50	.89
1120-8M	1120	44.09	140	.19	.34	.55	.94
1200-8M	1200	47.24	150	.20	.37	.58	1.01
1224-8M	1224	48.18	153	.21	.39	.60	1.02
1280-8M	1280	50.39	160	.22	.40	.62	1.07
1440-8M	1440	56.69	180	.24	.44	.70	1.21
1600-8M	1600	62.99	200	.27	.50	.78	1.33
1760-8M	1760	69.30	220	.29	.54	.85	1.48
1800-8M	1800	70.86	225	.30	.55	.88	1.50
2000-8M	2000	78.74	250	.34	.62	.97	1.67
2200-8M	2200	86.61	275	.37	.68	1.07	1.84
2400-8M	2400	94.48	300	.40	.74	1.17	2.00
2600-8M	2600	102.36	325	.44	.80	1.27	2.17
2800-8M	2800	110.23	350	.47	.86	1.37	2.34
3048-8M	3048	120.00	381	.51	.94	1.48	2.56
3280-8M	3280	129.13	410	.55	1.01	1.60	2.75
3600-8M	3600	141.73	450	.61	1.11	1.76	3.01
4400-8M	4400	173.23	550	.74	1.35	2.15	3.68

QT POWER CHAIN 14mm PITCH SYNCHRONOUS BELTS*

Belt Length	Pitch Length (mm)	Pitch Length (inches)	No. of Teeth	Approx. Weight (Lbs)				
				20mm. .79in.	42mm. 1.65in.	65mm. 2.56in.	90mm. 3.54in.	120mm. 4.72in.
966-14M	966	38.03	69	.40	.88	1.36	1.88	2.52
1190-14M	1190	46.85	85	.48	1.08	1.68	2.33	3.11
1400-14M	1400	55.12	100	.60	1.27	1.97	2.74	3.65
1610-14M	1610	63.39	115	.67	1.47	2.27	3.14	4.20
1778-14M	1778	70.00	127	.74	1.61	2.52	3.47	4.64
1890-14M	1890	74.41	135	.78	1.72	2.67	3.70	4.93
2100-14M	2100	82.68	150	.87	1.91	2.97	4.10	5.48
2310-14M	2310	90.94	165	.96	2.10	3.26	4.51	6.02
2450-14M	2450	96.46	175	1.02	2.24	3.46	4.79	6.40
2590-14M	2590	101.97	185	1.08	2.36	3.66	5.06	6.76
2800-14M	2800	110.24	200	1.17	2.55	3.95	5.47	7.31
3150-14M	3150	124.02	225	1.31	2.87	4.46	6.17	8.21
3360-14M	3360	132.28	240	1.40	3.06	4.75	6.56	8.76
3500-14M	3500	137.80	250	1.46	3.18	4.95	6.92	9.13
3850-14M	3850	151.58	275	1.60	3.50	5.44	7.52	10.04
4326-14M	4326	170.32	309	1.80	3.93	6.11	8.47	11.27
4578-14M	4578	180.24	327	1.90	4.16	6.48	8.95	11.92
4956-14M	4956	195.12	354	2.06	4.50	6.97	9.65	12.86

* Part Number Example: 210014M65W ("W" suffix indicate QT Power Chain).

Refer to page C2—7 for belt tolerances

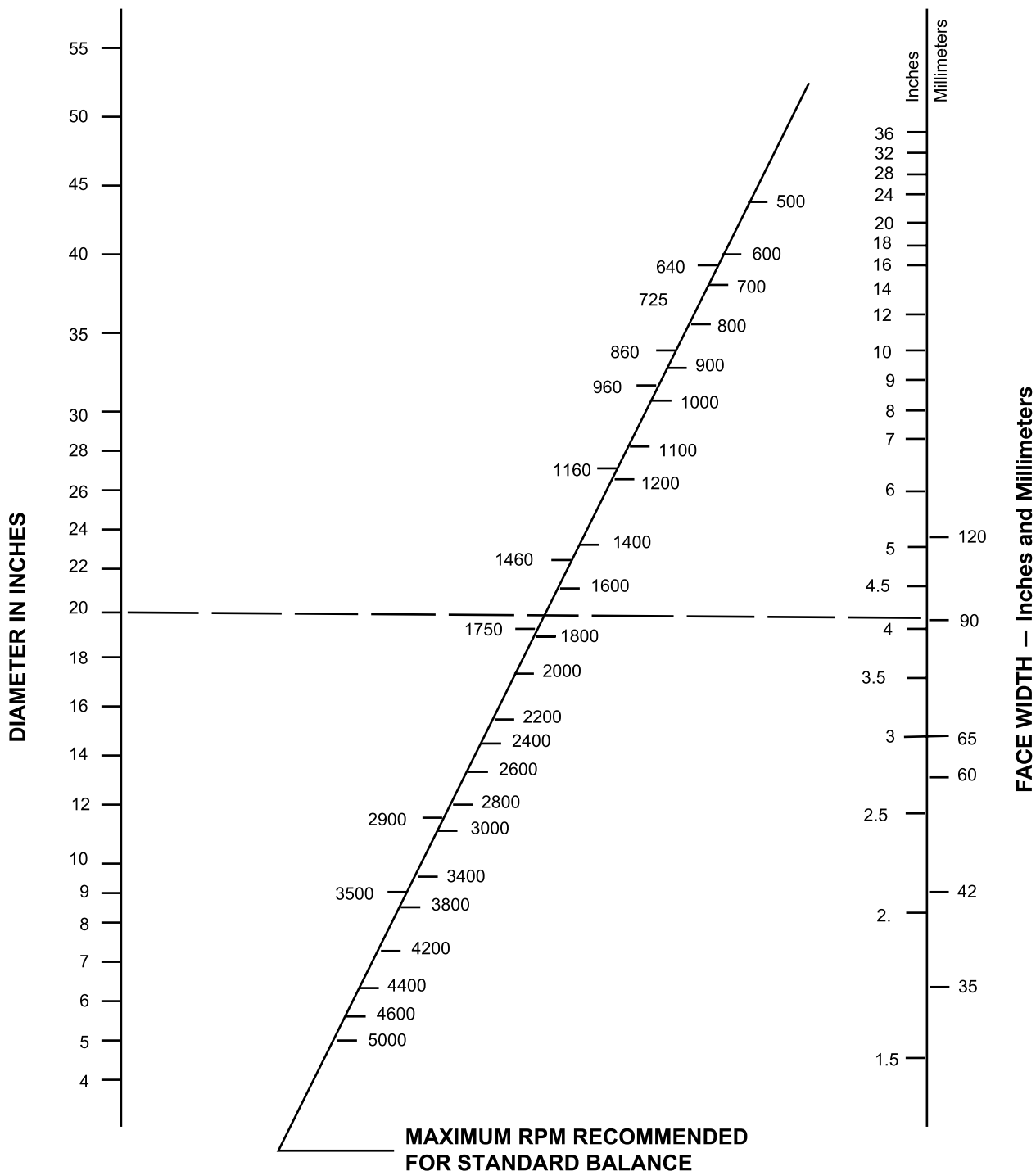
Balancing Standards

Proper balance of rotating products is important for smooth, vibration-free operation. Standard balance of Wood's stock products is a one plane balance. Depending on the face width, outside diameter, and operating speed a higher precision balance may be required for smooth operation. In those cases a two-plane balance is suggested.

Note: Two plane balance is for smooth operation only and DOES NOT increase the maximum safe operating speed of the product. Stock cast iron wheels may not exceed 6,550 feet per minute; and ductile iron wheels are limited to 10,000 FPM. (FPM = sheave outside diameter x RPM x .262)

The nomograph below may be used as a guideline to determine when two-plane balance is recommended. To use this chart lay a straight-edge between the diameter of the part on the left of the chart and the face width of the part on the right. The straight edge will intersect the slanted scale in the center of the chart. When the operating speed is greater than the intersection point a two-plane balance is recommended.

Example: If a 20 in. diameter x 4 in. (90 mm) face width sprocket runs faster than 1700 rpm, dynamic balancing is recommended.



Synchronous

Service Factors

1a: driveR (prime mover)

Class of driveR	Class I	Class II	Class III
Momentary Peak Load, % of Rated Load	149%	150 to 249%	250 to 400%
AC Electric Motors: Single Phase			all
Squirrel Cage NEMA design A			
3600 rpm	40 HP up	1-1/2 thru 30 HP	1 thru 3 HP
1800 rpm	100 HP up	5 thru 75 HP	
1200 rpm	15 HP up	3/4 thru 10 HP	
900 rpm	5 HP up	1/2 thru 3 HP	
NEMA design B			
3600 rpm		5 HP up	1-1/2 thru 3 HP 1 thru 3 HP 3/4 thru 3 HP 1-1/2 thru 1-1/2 HP
1800 rpm		5 HP up	
1200 rpm		5 HP up	
900 rpm		2 HP up	
NEMA design C			
1800 rpm		15 HP up	5 thru 10 HP 3 and 5 HP
1200 rpm		7-1/2 HP up	
900 rpm		all	
NEMA design D			all
NEMA design F	all		
Wound Rotor			
1800 rpm		20 HP	2 to 15 HP 2 to 10 HP 1 to 5 HP
1200 rpm		15 HP	
900 rpm		7-1/2 HP	
Synchronous		normal torque	high torque
DC Electric Motors	shunt	compound	series
Engines —int combust	8 cyl up	6 cyl	4 cyl or less
Hydraulic Motors, Line Shafts			all

1c: Additional Service Factors

Operating Conditions	
Intermittent or seasonal	Sub 0.1
Add for 10–16 hr service	Add 0.2
Add for 16–24 hr service	Add 0.4
Add for each idler	Add 0.2

Speed-up Drives

For speed-up drives, add to the basic service factor the additional factor given below.

Speed-up Ratio Range	Additional Factor	Speed-up Ratio Range	Additional Factor
1 to 1.24	none	2.50 to 3.49	.30
1.25 to 1.74	.10	3.50 & over	.40
1.75 to 2.49	.20		

Unusual Conditions

Additional service factors are required for unusual conditions — such as load reversal, heavy shock, plugged motor stop, electric brake. These should be determined by a transmission specialist.

1b: Basic Service Factors of driveN Machines

driveN Machines	Class I	Class II	Class III
Agitators, Mixers			
liquid	1.2	1.4	1.6
(paddle or propeller) semi-liquid	1.3	1.5	1.7
Bakery Machinery, Dough Mixers	1.2	1.4	1.6
Brick and Clay Machinery			
augers, mixers, granulators	1.4	1.6	1.8
pug mills	1.6	1.8	2.0
Centrifuges	1.5	1.7	-
Compressors			
reciprocating*	1.6	1.8	2.0
centrifugal	1.4	1.5	1.6
Conveyors			
belt, light package; oven	1.1	1.2	1.3
belt: ore, coal, sand	1.2	1.4	1.6
apron, bucket, elevator, pan	1.4	1.6	1.8
flight, screw	1.4	1.6	1.8
Fans, blowers			
Centrifugal, induced	1.4	1.6	1.8
draft exhausters			
propeller, mine fans, positive blowers			
Generators and Exciters	1.4	1.6	1.8
Hammer Mills	1.5	1.7	1.9
Hoists, Elevators	1.4	1.6	1.8
Laundry Machinery			
general	1.2	1.4	1.6
extractors, washers	1.4	1.6	1.8
Line Shafts	1.2	1.4	1.6
Machine Tools			
drill presses,	1.2	1.4	1.6
lathes, screw machines			
boring mills, grinders			
milling machines, shapers			
Mills			
ball, rod, pebble, etc	-	1.9	2.1
Paper Machinery			
agitators, calenders, dryers	1.2	1.4	1.6
beaters, jordans, Nash pumps, pulpers	1.4	1.6	1.8
Printing Machinery			
presses: newspaper, rotary, embossing, flat bed, magazine; linotype machines; cutters; folders	1.2	1.4	1.6
Pumps			
centrifugal, gear, rotary, pipeline	1.2	1.4	1.6
reciprocating*	1.7	1.9	2.1
Rubber Plant Machinery	1.4	1.6	1.8
Saw Mill Machinery	1.4	1.6	1.8
Screens			
vibrating (shakers)	1.3	1.5	-
drum, conical	1.2	1.4	-
Textile Machinery			
looms, spinning frames, twisters	1.3	1.5	1.7
warpers, reels	1.2	1.4	-
Woodworking Machinery			
lathes, band saws	1.2	1.3	-
jointer, circular saws, planers	1.2	1.4	-

* **Note:** When the driveN sprocket is used as a flywheel to reduce speed fluctuations a specially constructed sprocket may be required. Obtain the WR^2 of the unit and consult TB Wood's Engineering.

RPM OF FASTEST SHAFT

	1160	1750	3500	100	200	300	400	500	600	800	1000	1400	1600	2000	2400	2800	3200	4000	
MOTOR HORSEPOWER																			
1	8M	8M	8M	8M	8M	8M	8M	8M	8M	8M	8M	8M	8M	8M	8M	8M	8M	8M	8M
1.5	8M	8M	8M	8M	8M	8M	8M	8M	8M	8M	8M	8M	8M	8M	8M	8M	8M	8M	8M
2	8M	8M	8M	8M	8M	8M	8M	8M	8M	8M	8M	8M	8M	8M	8M	8M	8M	8M	8M
3	8M	8M	8M	8M	8M	8M	8M	8M	8M	8M	8M	8M	8M	8M	8M	8M	8M	8M	8M
5	8M	8M	8M	8M	8M	8M	8M	8M	8M	8M	8M	8M	8M	8M	8M	8M	8M	8M	8M
7.5	8M	8M	8M	14M	8M	8M	8M	8M	8M	8M	8M	8M	8M	8M	8M	8M	8M	8M	8M
10	8M	8M	8M	14M	8M	8M	8M	8M	8M	8M	8M	8M	8M	8M	8M	8M	8M	8M	8M
15	8M	8M	8M	14M	14M	8M	8M	8M	8M	8M	8M	8M	8M	8M	8M	8M	8M	8M	8M
20	8M	8M	8M	14M	14M	14M	8M	8M	8M	8M	8M	8M	8M	8M	8M	8M	8M	8M	8M
25	8M	8M	8M	14M	14M	14M	14M	8M	8M	8M	8M	8M	8M	8M	8M	8M	8M	8M	8M
30	8M	8M	8M	14M	14M	14M	14M	14M	8M	8M	8M	8M	8M	8M	8M	8M	8M	8M	8M
40	8M	8M	8M	14M	14M	14M	14M	14M	14M	8M	8M	8M	8M	8M	8M	8M	8M	8M	8M
50	8M	8M	8M		14M	14M	14M	14M	14M	14M	8M	8M	8M	8M	8M	8M	8M	8M	8M
60	14M	8M	8M		14M	14M	14M	14M	14M	14M	14M	8M	8M	8M	8M	8M	8M	8M	8M
75	14M	8M	8M		14M	14M	14M	14M	14M	14M	14M	14M	14M	8M	8M	8M	8M	8M	8M
100	14M	14M	8M			14M	14M	14M	14M	14M	14M	14M	14M	14M	14M	8M	8M	14M	14M
125	14M	14M	14M				14M	14M	14M	14M	14M	14M	14M	14M	14M	14M	14M	14M	14M
150	14M	14M	14M				14M	14M	14M	14M	14M	14M	14M	14M	14M	14M	14M	14M	14M
200	14M	14M	14M						14M	14M	14M	14M	14M	14M	14M	14M	14M	14M	14M
250	14M	14M	14M							14M	14M	14M	14M	14M	14M	14M	14M	14M	14M
300	14M	14M	14M								14M	14M	14M	14M	14M	14M	14M	14M	14M
350	14M	14M	14M									14M	14M	14M	14M	14M	14M	14M	14M
400	14M	14M											14M	14M	14M	14M	14M	14M	14M

USE MOTOR OR BASIC HORSEPOWER

QT Power Chain

Drive Selection

Minimum Recommended Sprocket Pitch Diameters for General Purpose Electric Motors Synchronous Belts

Motor Horsepower	Motor RPM (60 Cycle and 50 Cycle Electric Motors)					
	575 485*	690 575*	870 725*	1160 950*	1750 1425*	3450 2850*
1/2	-	-	2.0	-	-	-
3/4	-	-	2.2	2.0	-	-
1	2.7	2.3	2.2	2.2	2.0	-
1-1/2	2.7	2.7	2.2	2.2	2.2	2.0
2	3.4	2.7	2.7	2.2	2.2	2.2
3	4.1	3.4	2.7	2.7	2.2	2.2
5	4.1	4.1	3.4	2.7	2.7	2.2
7-1/2	4.7	4.1	4.0	3.4	2.7	2.7
10	5.4	4.7	4.0	4.0	3.4	2.7
15	6.1	5.4	4.7	4.0	4.0	3.4
20	7.4	6.1	5.4	4.7	4.0	4.0
25	8.1	7.4	6.1	5.4	4.0	4.0
30	9.0	8.1	6.1	6.1	4.7	-
40	9.0	9.0	7.4	6.1	5.4	-
50	9.9	9.0	7.6	7.4	6.1	-
60	10.8	9.9	9.0	7.2	6.7	-
75	12.6	11.7	8.6	9.0	7.7	-
100	16.2	13.5	10.8	9.0	7.7	-
125	18.0	16.2	13.5	10.8	9.5#	-
150	19.8	18.0	16.2	11.7	9.5	-
200	19.8	19.8	19.8	-	11.9	-
250	19.8	19.8	-	-	-	-
300	24.3	24.3	-	-	-	-

* Indicates 50 cycle RPM electric motors. # Frame 444T use 8.6.
Data in the white area is from NEMA Standards MG-1-14-42 of June 1972 and MG-1-14-43 of January 1968. The data in the shaded area is a composite of various motor manufacturers data. They are usually conservative, and a smaller sprocket may be permitted. Consult the motor manufacturer data.

- BELT LENGTH = $2 \times C + 1.57 \times (D + d) + [(D - d)^2 / (4 \times C)]$
- †CENTER DISTANCE = $1/2 \times [A - h \times (D - d)]$

WHERE:

C = Center Distance† (in.) D = P.D. of larger sprocket (in.)
L = Belt Length (in.) d = P.D. of smaller sprocket (in.)
A = $L - 1.57 \times (D + d)$ h = Factor from chart below

†Center distances must be fixed and rigid.

D - d A	h	D - d A	h	D - d A	h	D - d A	h
0.00	0.00	0.16	0.08	0.30	0.16	0.43	0.24
0.02	0.01	0.18	0.09	0.32	0.17	0.44	0.25
0.04	0.02	0.20	0.10	0.34	0.18	0.46	0.26
0.06	0.03	0.21	0.11	0.35	0.19	0.47	0.27
0.08	0.04	0.23	0.12	0.37	0.20	0.48	0.28
0.10	0.05	0.25	0.13	0.39	0.21	0.50	0.29
0.12	0.06	0.27	0.14	0.40	0.22	0.51	0.30
0.14	0.07	0.29	0.15	0.41	0.23	-	-

Standard Motor Speed - Reduction or 1:1 Ratio Drives

Example: A 20 HP 1160 RPM NEMA B motor is driving a light package conveyor operating at 515 RPM, 14 hours a day. Motor shaft is 1-7/8" diameter, conveyor shaft is 2", center distance is 30".

Procedure	Example																							
Step #1: Calculate the Design Horsepower DHP = DriveR HP x service factor (page C2-10)	Service factor light package conveyor = 1.2 Adder for 10-16 hours/day = .2 DHP = 20 HP x 1.4 sf = 28																							
Step #2: Choose the Belt Pitch Belt Pitch Selection Guide (page C2-11)	20 HP and 1160 RPM indicates the use of 8M pitch																							
Step #3: Check NEMA recommended minimum sprocket pitch diameter (page C2-12)	NEMA minimum for a 20 HP 1160 RPM motor 4.7" diameter sprocket																							
Step #4: Calculate Speed Ratio Speed Ratio = Faster RPM / Slower RPM	Speed ratio = 1160 RPM / 550 RPM = 2.25																							
Step #5: In the Drive Selection Tables corresponding to the correct belt pitch, locate the drive line with the same ratio. In the event of multiple drive lines, drives using larger diameters are usually more economical.	Drive lines 130, 131, and 132 all are 2.25 ratio. Line 130 and 131: The driver is below NEMA recommended. Use drive line 132.																							
Step #6: Note the following information from the drive line: Number teeth DriveR Number teeth DriveN Actual RPM - Under corresponding motor RPM Raw HP for belt width - Under corresponding motor RPM (When considering belt width, refer to design HP calculation) Select the desired CD - To the right of the RPM and HP Belt Length Factor - Shaded above the CD Belt Length - Column header above the CD	From Line 132 Number teeth DriveR = 64 Number teeth DriveN = 144 DriveN speed @ 516 when DriveR @ 1160 RPM Step #1 the DHP is 28, 22 mm wide = 26.22 hp; 35 mm wide = 41.72 hp CD = 30.6" Belt length factor = 1.3 Belt length = 2400																							
Step #7: Calculate the Corrected HP for the Drive CHP = Raw HP x Belt Length Factor Compare the CHP to the DHP and pick the belt width	22 mm wide - CHP = 26.22 x 1.2 = 31.46 35 mm wide - CHP = 41.72 x 1.2 = 50.06 22 mm meets our DHP and is the belt to use.																							
Step #8: Check the Dynamic Balance recommendations Reference Chart (page C2-9)	OK as standard: W64-8M-22 static balance OK as standard: W144-8M-22 static balance																							
Step #9: Specify drive components Reference component dimensional page for Product Number	<table border="1"> <thead> <tr> <th>Item</th> <th>Product No.</th> <th>Ref. Page</th> </tr> </thead> <tbody> <tr> <td>DR Sprocket:</td> <td>W64-8M-22</td> <td>W648M22</td> <td>C2-3</td> </tr> <tr> <td>DR Bushing:</td> <td>SDS x 1-7/8"</td> <td>SDS178</td> <td>A1-4</td> </tr> <tr> <td>DN Sprocket:</td> <td>W144-8M-22</td> <td>W1448M22</td> <td>C2-3</td> </tr> <tr> <td>DN Bushing:</td> <td>SK x 2"</td> <td>SK2</td> <td>A1-5</td> </tr> <tr> <td>Belt:</td> <td>2400-8M-22W</td> <td>24008M22W</td> <td>C2-7</td> </tr> </tbody> </table>	Item	Product No.	Ref. Page	DR Sprocket:	W64-8M-22	W648M22	C2-3	DR Bushing:	SDS x 1-7/8"	SDS178	A1-4	DN Sprocket:	W144-8M-22	W1448M22	C2-3	DN Bushing:	SK x 2"	SK2	A1-5	Belt:	2400-8M-22W	24008M22W	C2-7
Item	Product No.	Ref. Page																						
DR Sprocket:	W64-8M-22	W648M22	C2-3																					
DR Bushing:	SDS x 1-7/8"	SDS178	A1-4																					
DN Sprocket:	W144-8M-22	W1448M22	C2-3																					
DN Bushing:	SK x 2"	SK2	A1-5																					
Belt:	2400-8M-22W	24008M22W	C2-7																					

QT Power Chain

Drive Selection

Speeds Other than Common Motor Speeds and Speed-up Applications

Example: A 30 HP 1750 RPM NEMA B motor C-face mounted to a 10 : 1 gear reducer with an output of 175 RPM is driving a dough mixer operating at 200 RPM, 8 hours a day.
Reducer shaft is 2-3/4" diameter, mixer shaft is 2", approximate center distance is 45".

Procedure	Example																		
Step #1: Calculate the Design Horsepower DHP = DriveR HP x service factor (page C2-10)	Service factor dough mixer = 1.4 No adder necessary for 8 hours/day Adder for 1.14 ratio speed-up = none DHP = 30 HP x 1.4 sf = 42																		
Step #2: Choose the Belt Pitch Belt Pitch Selection Guide (page C2-11)	30 HP and 200 RPM indicates the use of 14M pitch																		
Step #3: Check NEMA recommended minimum sprocket pitch diameter (page C2-12)	Does not apply – Driver not a NEMA motor Driver shaft – Reducer																		
Step #4: Calculate Speed Ratio Speed Ratio = Faster RPM / Slower RPM	Speed ratio = 200 RPM / 175 RPM = 1.14																		
Step #5: In the Drive Selection Tables corresponding to the correct belt pitch, locate the drive line with the same ratio. In the event of multiple drive lines, drives using larger diameters are usually more economical.	Drive lines 43 and 44 are both 1.14 ratio. Using the guideline of larger diameter being more economical, use line 44.																		
Step #6: Note the following information from the drive line: Number teeth DriveR Number teeth DriveN Select the desired CD - To the right of the RPM and HP Belt Length Factor - Shaded above the CD Belt Length - Column header above the CD	From Line 44 Number teeth DriveR = 64 Number teeth DriveN = 56 CD = 45.47" Belt length factor = 1.05 Belt length = 3150																		
Step #7: In the HP Rating Tables, following the Drive Selection Tables, locate the proper charts for the belt pitch in use. Locate the number of teeth on the smallest sprocket at the top of the chart and its speed along the left side. At the intersection of these lines will be located the Raw HP of the drive. (When considering belt width, refer to design HP calculation)	Smallest sprocket – 56 tooth Fastest RPM – 200 Step #1 Design HP = 42 65 mm wide – Raw HP = 43.72 90 mm wide – Raw HP = 60.53																		
Step #8: Calculate the Corrected HP for the Drive CHP = Raw HP x Belt Length Factor Compare the CHP to the DHP and pick the belt width	65 mm wide – CHP = 43.72 x 1.05 = 45.91 65 mm meets our DHP and is the belt to use.																		
Step #9: Check the Dynamic Balance recommendations Reference Chart (page C2-9)	OK as standard: W56-14M-65 static balance OK as standard: W64-14M-65 static balance																		
Step #10: Specify drive components Reference component dimensional page for Product Number	<table border="1"> <thead> <tr> <th>Item</th> <th>Product No.</th> <th>Ref. Page</th> </tr> </thead> <tbody> <tr> <td>DR Sprocket:</td> <td>W64-14M-65</td> <td>C2-5</td> </tr> <tr> <td>DR Bushing:</td> <td>F x 2-3/4"</td> <td>A1-5</td> </tr> <tr> <td>DN Sprocket:</td> <td>W56-14M-65</td> <td>C2-5</td> </tr> <tr> <td>DN Bushing:</td> <td>F x 2"</td> <td>A1-5</td> </tr> <tr> <td>Belt:</td> <td>3150-14M-65W</td> <td>C2-7</td> </tr> </tbody> </table>	Item	Product No.	Ref. Page	DR Sprocket:	W64-14M-65	C2-5	DR Bushing:	F x 2-3/4"	A1-5	DN Sprocket:	W56-14M-65	C2-5	DN Bushing:	F x 2"	A1-5	Belt:	3150-14M-65W	C2-7
Item	Product No.	Ref. Page																	
DR Sprocket:	W64-14M-65	C2-5																	
DR Bushing:	F x 2-3/4"	A1-5																	
DN Sprocket:	W56-14M-65	C2-5																	
DN Bushing:	F x 2"	A1-5																	
Belt:	3150-14M-65W	C2-7																	

Drives using MTO sprockets with a non-stock number of teeth follow the same procedure as above. Some interpolation of HP ratings may be necessary. Belt length and center distance can be calculated with the formula on page C2-12.

QT Power Chain Synchronous 8M

Drive Selection Tables

Line No.	Drive Ratio	Sprocket Combination				1160 RPM DriveR					1750 RPM DriveR							
		DRIVER		DRIVEN		DN	Horsepower				DN	Horsepower				480	560	600
		Teeth	PD (in)	Teeth	PD (in)		RPM	12MM	22MM	35MM		60MM	RPM	12MM	22MM			
Multiply Horsepower Listed by Length Correction Factor to Find Horsepower Rating -->																		
1	1.00	22	2.206	22	2.206	1160	3.98	7.29	11.60	19.88	1750	5.63	10.32	16.42	28.15	5.98	7.56	8.35
2	1.00	24	2.406	24	2.406	1160	4.47	8.20	13.04	22.35	1750	6.33	11.60	18.46	31.65	5.67	7.24	8.03
3	1.00	26	2.607	26	2.607	1160	4.96	9.10	14.48	24.82	1750	7.03	12.88	20.50	35.14	5.35	6.93	7.72
4	1.00	28	2.807	28	2.807	1160	5.46	10.01	15.92	27.29	1750	7.72	14.16	22.53	38.62	5.04	6.61	7.40
5	1.00	30	3.008	30	3.008	1160	5.95	10.91	17.36	29.76	1750	8.42	15.44	24.56	42.11	4.72	6.30	7.09
6	1.00	32	3.208	32	3.208	1160	6.45	11.82	18.80	32.23	1750	9.12	16.72	26.59	45.59	4.41	5.98	6.77
7	1.00	34	3.409	34	3.409	1160	6.94	12.72	20.24	34.70	1750	9.81	17.99	28.62	49.07	-	5.67	6.46
8	1.00	36	3.609	36	3.609	1160	7.43	13.63	21.68	37.16	1750	10.51	19.26	30.65	52.54	-	5.35	6.14
9	1.00	38	3.810	38	3.810	1160	7.93	14.53	23.12	39.63	1750	11.20	20.54	32.67	56.01	-	5.04	5.83
10	1.00	40	4.010	40	4.010	1160	8.42	15.43	24.55	42.09	1750	11.89	21.81	34.69	59.47	-	-	5.51
11	1.00	44	4.411	44	4.411	1160	9.40	17.24	27.42	47.01	1750	13.28	24.34	38.72	66.38	-	-	-
12	1.00	48	4.812	48	4.812	1160	10.38	19.04	30.29	51.92	1750	14.66	26.87	42.74	73.28	-	-	-
13	1.00	56	5.614	56	5.614	1160	12.35	22.64	36.01	61.73	1750	17.40	31.90	50.74	86.99	-	-	-
14	1.00	64	6.416	64	6.416	1160	14.30	26.22	41.72	71.51	1750	20.12	36.89	58.68	100.60	-	-	-
15	1.00	72	7.218	72	7.218	1160	16.25	29.79	47.40	81.25	1750	22.82	41.83	66.55	114.08	-	-	-
16	1.00	80	8.020	80	8.020	1160	18.19	33.35	53.06	90.96	1750	25.49	46.72	74.33	127.43	-	-	-
17	1.05	38	3.810	40	4.010	1102	7.93	14.53	23.12	39.63	1662	11.20	20.54	32.67	56.01	-	4.88	5.67
18	1.06	36	3.609	38	3.810	1099	7.43	13.63	21.68	37.16	1658	10.51	19.26	30.65	52.54	-	5.20	5.98
19	1.06	34	3.409	36	3.609	1096	6.94	12.72	20.24	34.70	1653	9.81	17.99	28.62	49.07	-	5.51	6.30
20	1.06	32	3.208	34	3.409	1092	6.45	11.82	18.80	32.23	1647	9.12	16.72	26.59	45.59	4.25	5.83	6.61
21	1.07	30	3.008	32	3.208	1088	5.95	10.91	17.36	29.76	1641	8.42	15.44	24.56	42.11	4.57	6.14	6.93
22	1.07	28	2.807	30	3.008	1083	5.46	10.01	15.92	27.29	1633	7.72	14.16	22.53	38.62	4.88	6.46	7.24
23	1.08	26	2.607	28	2.807	1077	4.96	9.10	14.48	24.82	1625	7.03	12.88	20.50	35.14	5.20	6.77	7.56
24	1.08	24	2.406	26	2.607	1071	4.47	8.20	13.04	22.35	1615	6.33	11.60	18.46	31.65	5.51	7.09	7.87
25	1.09	22	2.206	24	2.406	1063	3.98	7.29	11.60	19.88	1604	5.63	10.32	16.42	28.15	5.83	7.40	8.19
26	1.09	44	4.411	48	4.812	1063	9.40	17.24	27.42	47.01	1604	13.28	24.34	38.72	66.38	-	-	-
27	1.10	40	4.010	44	4.411	1055	8.42	15.43	24.55	42.09	1591	11.89	21.81	34.69	59.47	-	-	5.19
28	1.11	36	3.609	40	4.010	1044	7.43	13.63	21.68	37.16	1575	10.51	19.26	30.65	52.54	-	5.04	5.82
29	1.11	72	7.218	80	8.020	1044	16.25	29.79	47.40	81.25	1575	22.82	41.83	66.55	114.08	-	-	-
30	1.12	34	3.409	38	3.810	1038	6.94	12.72	20.24	34.70	1566	9.81	17.99	28.62	49.07	-	5.35	6.14
31	1.13	32	3.208	36	3.609	1031	6.45	11.82	18.80	32.23	1556	9.12	16.72	26.59	45.59	-	5.67	6.45
32	1.13	64	6.416	72	7.218	1031	14.30	26.22	41.72	71.51	1556	20.12	36.89	58.68	100.60	-	-	-
33	1.13	80	8.020	90	9.023	1031	18.19	33.35	53.06	90.96	1556	25.49	46.72	74.33	127.43	-	-	-
34	1.13	30	3.008	34	3.409	1024	5.95	10.91	17.36	29.76	1544	8.42	15.44	24.56	42.11	4.40	5.98	6.77
35	1.14	28	2.807	32	3.208	1015	5.46	10.01	15.92	27.29	1531	7.72	14.16	22.53	38.62	4.72	6.30	7.08
36	1.14	56	5.614	64	6.416	1015	12.35	22.64	36.01	61.73	1531	17.40	31.90	50.74	86.99	-	-	-
37	1.15	26	2.607	30	3.008	1005	4.96	9.10	14.48	24.82	1517	7.03	12.88	20.50	35.14	5.04	6.61	7.40
38	1.16	38	3.810	44	4.411	1002	7.93	14.53	23.12	39.63	1511	11.20	20.54	32.67	56.01	-	-	5.35
39	1.17	24	2.406	28	2.807	994	4.47	8.20	13.04	22.35	1500	6.33	11.60	18.46	31.65	5.35	6.93	7.71
40	1.17	48	4.812	56	5.614	994	10.38	19.04	30.29	51.92	1500	14.66	26.87	42.74	73.28	-	-	-
41	1.18	34	3.409	40	4.010	986	6.94	12.72	20.24	34.70	1488	9.81	17.99	28.62	49.07	-	5.19	5.98
42	1.18	22	2.206	26	2.607	982	3.98	7.29	11.60	19.88	1481	5.63	10.32	16.42	28.15	5.67	7.24	8.03
43	1.19	32	3.208	38	3.810	977	6.45	11.82	18.80	32.23	1474	9.12	16.72	26.59	45.59	-	5.50	6.29
44	1.20	30	3.008	36	3.609	967	5.95	10.91	17.36	29.76	1458	8.42	15.44	24.56	42.11	4.24	5.82	6.61
45	1.20	40	4.010	48	4.812	967	8.42	15.43	24.55	42.09	1458	11.89	21.81	34.69	59.47	-	-	-
46	1.21	28	2.807	34	3.409	955	5.46	10.01	15.92	27.29	1441	7.72	14.16	22.53	38.62	4.56	6.13	6.92
47	1.22	36	3.609	44	4.411	949	7.43	13.63	21.68	37.16	1432	10.51	19.26	30.65	52.54	-	-	5.50
48	1.23	26	2.607	32	3.208	942	4.96	9.10	14.48	24.82	1422	7.03	12.88	20.50	35.14	4.87	6.45	7.24
49	1.25	24	2.406	30	3.008	928	4.47	8.20	13.04	22.35	1400	6.33	11.60	18.46	31.65	5.19	6.76	7.55
50	1.25	32	3.208	40	4.010	928	6.45	11.82	18.80	32.23	1400	9.12	16.72	26.59	45.59	-	5.34	6.13
Multiply Horsepower Listed by Length Correction Factor to Find Horsepower Rating -->																		
																0.80	0.80	0.80

QT Power Chain Synchronous 8M

Drive Selection Tables

CENTER DISTANCE																		Line No.
BELT LENGTH – Length Correction Factor																		
640	720	800	880	960	1040	1120	1200	1224	1280	1440	1600	1760	1800	2000	2200	2400	2600	
0.90	0.90	0.90	0.90	1.00	1.00	1.00	1.00	1.00	1.10	1.10	1.10	1.10	1.20	1.20	1.20	1.20	1.20	
9.13	10.71	12.28	13.86	15.43	17.01	18.58	20.16	20.63	21.73	24.88	28.03	31.18	31.97	35.91	39.84	43.78	47.72	1
8.82	10.39	11.97	13.54	15.12	16.69	18.27	19.84	20.31	21.42	24.57	27.72	30.87	31.65	35.59	39.53	43.46	47.40	2
8.50	10.08	11.65	13.23	14.80	16.38	17.95	19.53	20.00	21.10	24.25	27.40	30.55	31.34	35.28	39.21	43.15	47.09	3
8.19	9.76	11.34	12.91	14.49	16.06	17.64	19.21	19.69	20.79	23.94	27.09	30.24	31.02	34.96	38.90	42.83	46.77	4
7.87	9.45	11.02	12.60	14.17	15.75	17.32	18.90	19.37	20.47	23.62	26.77	29.92	30.71	34.65	38.58	42.52	46.46	5
7.56	9.13	10.71	12.28	13.86	15.43	17.01	18.58	19.06	20.16	23.31	26.46	29.61	30.39	34.33	38.27	42.20	46.14	6
7.24	8.82	10.39	11.97	13.54	15.12	16.69	18.27	18.74	19.84	22.99	26.14	29.29	30.08	34.02	37.95	41.89	45.83	7
6.93	8.50	10.08	11.65	13.23	14.80	16.38	17.95	18.43	19.53	22.68	25.83	28.98	29.76	33.70	37.64	41.57	45.51	8
6.61	8.19	9.76	11.34	12.91	14.49	16.06	17.64	18.11	19.21	22.36	25.51	28.66	29.45	33.39	37.32	41.26	45.20	9
6.30	7.87	9.45	11.02	12.60	14.17	15.75	17.32	17.80	18.90	22.05	25.20	28.35	29.13	33.07	37.01	40.94	44.88	10
5.67	7.24	8.82	10.39	11.97	13.54	15.12	16.69	17.17	18.27	21.42	24.57	27.72	28.50	32.44	36.38	40.31	44.25	11
-	6.61	8.19	9.76	11.34	12.91	14.49	16.06	16.54	17.64	20.79	23.94	27.09	27.87	31.81	35.75	39.69	43.62	12
-	-	6.93	8.50	10.08	11.65	13.23	14.80	15.28	16.38	19.53	22.68	25.83	26.61	30.55	34.49	38.43	42.36	13
-	-	-	7.24	8.82	10.39	11.97	13.54	14.02	15.12	18.27	21.42	24.57	25.35	29.29	33.23	37.17	41.10	14
-	-	-	-	-	9.13	10.71	12.28	12.76	13.86	17.01	20.16	23.31	24.09	28.03	31.97	35.91	39.84	15
-	-	-	-	-	-	9.45	11.02	11.50	12.60	15.75	18.90	22.05	22.83	26.77	30.71	34.65	38.58	16
6.46	8.03	9.61	11.18	12.76	14.33	15.91	17.48	17.95	19.05	22.20	25.35	28.50	29.29	33.23	37.17	41.10	45.04	17
6.77	8.35	9.92	11.50	13.07	14.65	16.22	17.79	18.27	19.37	22.52	25.67	28.82	29.61	33.54	37.48	41.42	45.35	18
7.09	8.66	10.24	11.81	13.39	14.96	16.54	18.11	18.58	19.68	22.83	25.98	29.13	29.92	33.86	37.80	41.73	45.67	19
7.40	8.98	10.55	12.13	13.70	15.28	16.85	18.42	18.90	20.00	23.15	26.30	29.45	30.24	34.17	38.11	42.05	45.98	20
7.72	9.29	10.87	12.44	14.02	15.59	17.17	18.74	19.21	20.31	23.46	26.61	29.76	30.55	34.49	38.43	42.36	46.30	21
8.03	9.61	11.18	12.76	14.33	15.91	17.48	19.05	19.53	20.63	23.78	26.93	30.08	30.87	34.80	38.74	42.68	46.61	22
8.35	9.92	11.50	13.07	14.65	16.22	17.79	19.37	19.84	20.94	24.09	27.24	30.39	31.18	35.12	39.05	42.99	46.93	23
8.66	10.24	11.81	13.39	14.96	16.54	18.11	19.68	20.16	21.26	24.41	27.56	30.71	31.50	35.43	39.37	43.31	47.24	24
8.98	10.55	12.13	13.70	15.28	16.85	18.42	20.00	20.47	21.57	24.72	27.87	31.02	31.81	35.75	39.68	43.62	47.56	25
-	6.93	8.50	10.08	11.65	13.23	14.80	16.38	16.85	17.95	21.10	24.25	27.40	28.19	32.13	36.06	40.00	43.94	26
5.98	7.56	9.13	10.71	12.28	13.86	15.43	17.01	17.48	18.58	21.73	24.88	28.03	28.82	32.76	36.69	40.63	44.57	27
6.61	8.19	9.76	11.34	12.91	14.49	16.06	17.64	18.11	19.21	22.36	25.51	28.66	29.45	33.39	37.32	41.26	45.20	28
-	-	-	-	-	8.49	10.07	11.65	12.12	13.22	16.37	19.52	22.67	23.46	27.40	31.34	35.27	39.21	29
6.93	8.50	10.08	11.65	13.23	14.80	16.38	17.95	18.42	19.53	22.68	25.83	28.98	29.76	33.70	37.64	41.57	45.51	30
7.24	8.82	10.39	11.97	13.54	15.12	16.69	18.27	18.74	19.84	22.99	26.14	29.29	30.08	34.02	37.95	41.89	45.83	31
-	-	-	-	8.18	9.76	11.33	12.91	13.38	14.48	17.63	20.78	23.93	24.72	28.66	32.60	36.53	40.47	32
-	-	-	-	-	-	-	10.22	10.70	11.80	14.95	18.10	21.25	22.04	25.98	29.92	33.85	37.79	33
7.56	9.13	10.71	12.28	13.86	15.43	17.01	18.58	19.05	20.16	23.31	26.46	29.61	30.39	34.33	38.27	42.20	46.14	34
7.87	9.45	11.02	12.60	14.17	15.75	17.32	18.90	19.37	20.47	23.62	26.77	29.92	30.71	34.65	38.58	42.52	46.46	35
-	-	-	7.86	9.44	11.02	12.59	14.17	14.64	15.74	18.89	22.04	25.19	25.98	29.92	33.86	37.79	41.73	36
8.19	9.76	11.34	12.91	14.49	16.06	17.64	19.21	19.68	20.79	23.94	27.09	30.24	31.02	34.96	38.90	42.83	46.77	37
6.13	7.71	9.29	10.86	12.44	14.01	15.59	17.16	17.64	18.74	21.89	25.04	28.19	28.97	32.91	36.85	40.79	44.72	38
8.50	10.08	11.65	13.23	14.80	16.38	17.95	19.53	20.00	21.10	24.25	27.40	30.55	31.34	35.28	39.21	43.15	47.09	39
-	5.97	7.55	9.13	10.70	12.28	13.85	15.43	15.90	17.00	20.15	23.30	26.45	27.24	31.18	35.12	39.05	42.99	40
6.76	8.34	9.92	11.49	13.07	14.64	16.22	17.79	18.27	19.37	22.52	25.67	28.82	29.60	33.54	37.48	41.42	45.35	41
8.82	10.39	11.97	13.54	15.12	16.69	18.27	19.84	20.31	21.42	24.57	27.72	30.87	31.65	35.59	39.53	43.46	47.40	42
7.08	8.66	10.23	11.81	13.38	14.96	16.53	18.11	18.58	19.68	22.83	25.98	29.13	29.92	33.86	37.79	41.73	45.67	43
7.40	8.97	10.55	12.12	13.70	15.27	16.85	18.42	18.90	20.00	23.15	26.30	29.45	30.23	34.17	38.11	42.05	45.98	44
5.66	7.23	8.81	10.39	11.96	13.54	15.11	16.69	17.16	18.26	21.41	24.56	27.71	28.50	32.44	36.38	40.31	44.25	45
7.71	9.29	10.86	12.44	14.01	15.59	17.16	18.74	19.21	20.31	23.46	26.61	29.76	30.55	34.49	38.42	42.36	46.30	46
6.29	7.86	9.44	11.02	12.59	14.17	15.74	17.32	17.79	18.89	22.04	25.19	28.34	29.13	33.07	37.01	40.94	44.88	47
8.03	9.60	11.18	12.75	14.33	15.90	17.48	19.05	19.53	20.63	23.78	26.93	30.08	30.86	34.80	38.74	42.68	46.61	48
8.34	9.92	11.49	13.07	14.64	16.22	17.79	19.37	19.84	20.94	24.09	27.24	30.39	31.18	35.12	39.05	42.99	46.93	49
6.92	8.49	10.07	11.65	13.22	14.80	16.37	17.95	18.42	19.52	22.67	25.82	28.97	29.76	33.70	37.64	41.57	45.51	50
0.90	0.90	0.90	0.90	1.00	1.00	1.00	1.00	1.00	1.10	1.10	1.10	1.10	1.20	1.20	1.20	1.20	1.20	

QT Power Chain Synchronous 8M

Drive Selection Tables

Line No.	Drive Ratio	Sprocket Combination				1160 RPM DriveR					1750 RPM DriveR							
		DRIVER		DRIVEN		DN RPM	Horsepower				DN RPM	Horsepower				480	560	600
		Teeth	PD (in)	Teeth	PD (in)		12MM	22MM	35MM	60MM		12MM	22MM	35MM	60MM			
Multiply Horsepower Listed by Length Correction Factor to Find Horsepower Rating -->																		
51	1.25	64	6.416	80	8.020	928	14.30	26.22	41.72	71.51	1400	20.12	36.89	58.68	100.60	-	-	-
52	1.25	72	7.218	90	9.023	928	16.25	29.79	47.40	81.25	1400	22.82	41.83	66.55	114.08	-	-	-
53	1.26	38	3.810	48	4.812	918	7.93	14.53	23.12	39.63	1385	11.20	20.54	32.67	56.01	-	-	-
54	1.27	30	3.008	38	3.810	916	5.95	10.91	17.36	29.76	1382	8.42	15.44	24.56	42.11	-	5.66	6.44
55	1.27	22	2.206	28	2.807	911	3.98	7.29	11.60	19.88	1375	5.63	10.32	16.42	28.15	5.50	7.08	7.87
56	1.27	44	4.411	56	5.614	911	9.40	17.24	27.42	47.01	1375	13.28	24.34	38.72	66.38	-	-	-
57	1.29	28	2.807	36	3.609	902	5.46	10.01	15.92	27.29	1361	7.72	14.16	22.53	38.62	4.39	5.97	6.76
58	1.29	56	5.614	72	7.218	902	12.35	22.64	36.01	61.73	1361	17.40	31.90	50.74	86.99	-	-	-
59	1.29	34	3.409	44	4.411	896	6.94	12.72	20.24	34.70	1352	9.81	17.99	28.62	49.07	-	4.86	5.65
60	1.31	26	2.607	34	3.409	887	4.96	9.10	14.48	24.82	1338	7.03	12.88	20.50	35.14	4.71	6.29	7.08
61	1.33	24	2.406	32	3.208	870	4.47	8.20	13.04	22.35	1312	6.33	11.60	18.46	31.65	5.02	6.60	7.39
62	1.33	30	3.008	40	4.010	870	5.95	10.91	17.36	29.76	1312	8.42	15.44	24.56	42.11	-	5.49	6.28
63	1.33	36	3.609	48	4.812	870	7.43	13.63	21.68	37.16	1312	10.51	19.26	30.65	52.54	-	-	5.16
64	1.33	48	4.812	64	6.416	870	10.38	19.04	30.29	51.92	1312	14.66	26.87	42.74	73.28	-	-	-
65	1.36	28	2.807	38	3.810	855	5.46	10.01	15.92	27.29	1289	7.72	14.16	22.53	38.62	4.22	5.81	6.60
66	1.36	22	2.206	30	3.008	851	3.98	7.29	11.60	19.88	1283	5.63	10.32	16.42	28.15	5.34	6.92	7.71
67	1.38	32	3.208	44	4.411	844	6.45	11.82	18.80	32.23	1273	9.12	16.72	26.59	45.59	-	5.00	5.80
68	1.38	26	2.607	36	3.609	838	4.96	9.10	14.48	24.82	1264	7.03	12.88	20.50	35.14	4.54	6.12	6.91
69	1.40	40	4.010	56	5.614	829	8.42	15.43	24.55	42.09	1250	11.89	21.81	34.69	59.47	-	-	-
70	1.40	80	8.020	112	11.229	829	18.19	33.35	53.06	90.96	1250	25.49	46.72	74.33	127.43	-	-	-
71	1.41	64	6.416	90	9.023	825	14.30	26.22	41.72	71.51	1244	20.12	36.89	58.68	100.60	-	-	-
72	1.41	34	3.409	48	4.812	822	6.94	12.72	20.24	34.70	1240	9.81	17.99	28.62	49.07	-	-	5.31
73	1.42	24	2.406	34	3.409	819	4.47	8.20	13.04	22.35	1235	6.33	11.60	18.46	31.65	4.86	6.44	7.23
74	1.43	28	2.807	40	4.010	812	5.46	10.01	15.92	27.29	1225	7.72	14.16	22.53	38.62	-	5.64	6.43
75	1.43	56	5.614	80	8.020	812	12.35	22.64	36.01	61.73	1225	17.40	31.90	50.74	86.99	-	-	-
76	1.45	22	2.206	32	3.208	798	3.98	7.29	11.60	19.88	1203	5.63	10.32	16.42	28.15	5.17	6.75	7.54
77	1.45	44	4.411	64	6.416	798	9.40	17.24	27.42	47.01	1203	13.28	24.34	38.72	66.38	-	-	-
78	1.46	26	2.607	38	3.810	794	4.96	9.10	14.48	24.82	1197	7.03	12.88	20.50	35.14	4.37	5.95	6.74
79	1.47	30	3.008	44	4.411	791	5.95	10.91	17.36	29.76	1193	8.42	15.44	24.56	42.11	-	5.15	5.94
80	1.47	38	3.810	56	5.614	787	7.93	14.53	23.12	39.63	1188	11.20	20.54	32.67	56.01	-	-	-
81	1.50	24	2.406	36	3.609	773	4.47	8.20	13.04	22.35	1167	6.33	11.60	18.46	31.65	4.69	6.27	7.06
82	1.50	32	3.208	48	4.812	773	6.45	11.82	18.80	32.23	1167	9.12	16.72	26.59	45.59	-	-	5.45
83	1.50	48	4.812	72	7.218	773	10.38	19.04	30.29	51.92	1167	14.66	26.87	42.74	73.28	-	-	-
84	1.54	26	2.607	40	4.010	754	4.96	9.10	14.48	24.82	1138	7.03	12.88	20.50	35.14	4.19	5.78	6.58
85	1.55	22	2.206	34	3.409	751	3.98	7.29	11.60	19.88	1132	5.63	10.32	16.42	28.15	5.00	6.59	7.38
86	1.56	36	3.609	56	5.614	746	7.43	13.63	21.68	37.16	1125	10.51	19.26	30.65	52.54	-	-	-
87	1.56	72	7.218	112	11.229	746	16.25	29.79	47.40	81.25	1125	22.82	41.83	66.55	114.08	-	-	-
88	1.57	28	2.807	44	4.411	738	5.46	10.01	15.92	27.29	1114	7.72	14.16	22.53	38.62	-	5.29	6.09
89	1.58	24	2.406	38	3.810	733	4.47	8.20	13.04	22.35	1105	6.33	11.60	18.46	31.65	4.51	6.10	6.89
90	1.60	30	3.008	48	4.812	725	5.95	10.91	17.36	29.76	1094	8.42	15.44	24.56	42.11	-	4.80	5.60
91	1.60	40	4.010	64	6.416	725	8.42	15.43	24.55	42.09	1094	11.89	21.81	34.69	59.47	-	-	-
92	1.61	56	5.614	90	9.023	722	12.35	22.64	36.01	61.73	1089	17.40	31.90	50.74	86.99	-	-	-
93	1.64	22	2.206	36	3.609	709	3.98	7.29	11.60	19.88	1069	5.63	10.32	16.42	28.15	4.83	6.42	7.21
94	1.64	44	4.411	72	7.218	709	9.40	17.24	27.42	47.01	1069	13.28	24.34	38.72	66.38	-	-	-
95	1.65	34	3.409	56	5.614	704	6.94	12.72	20.24	34.70	1062	9.81	17.99	28.62	49.07	-	-	-
96	1.67	24	2.406	40	4.010	696	4.47	8.20	13.04	22.35	1050	6.33	11.60	18.46	31.65	4.34	5.93	6.72
97	1.67	48	4.812	80	8.020	696	10.38	19.04	30.29	51.92	1050	14.66	26.87	42.74	73.28	-	-	-
98	1.68	38	3.810	64	6.416	689	7.93	14.53	23.12	39.63	1039	11.20	20.54	32.67	56.01	-	-	-
99	1.69	26	2.607	44	4.411	685	4.96	9.10	14.48	24.82	1034	7.03	12.88	20.50	35.14	-	5.44	6.23
100	1.71	28	2.807	48	4.812	677	5.46	10.01	15.92	27.29	1021	7.72	14.16	22.53	38.62	-	4.94	5.74
Multiply Horsepower Listed by Length Correction Factor to Find Horsepower Rating -->																		
																0.80	0.80	0.80

QT Power Chain Synchronous 8M

Drive Selection Tables

CENTER DISTANCE																	Line No.	
BELT LENGTH - Length Correction Factor																		
640	720	800	880	960	1040	1120	1200	1224	1280	1440	1600	1760	1800	2000	2200	2400		2600
0.90	0.90	0.90	0.90	1.00	1.00	1.00	1.00	1.00	1.10	1.10	1.10	1.10	1.20	1.20	1.20	1.20	1.20	
-	-	-	-	-	9.10	10.68	12.26	12.73	13.83	16.99	20.14	23.29	24.08	28.02	31.96	35.90	39.83	51
-	-	-	-	-	-	9.25	10.83	11.30	12.41	15.56	18.72	21.87	22.66	26.60	30.54	34.48	38.41	52
5.81	7.38	8.96	10.54	12.12	13.69	15.27	16.84	17.32	18.42	21.57	24.72	27.87	28.66	32.59	36.53	40.47	44.41	53
7.23	8.81	10.39	11.96	13.54	15.11	16.69	18.26	18.74	19.84	22.99	26.14	29.29	30.08	34.01	37.95	41.89	45.83	54
8.66	10.23	11.81	13.38	14.96	16.53	18.11	19.68	20.16	21.26	24.41	27.56	30.71	31.49	35.43	39.37	43.31	47.24	55
-	6.27	7.85	9.43	11.01	12.58	14.16	15.74	16.21	17.31	20.46	23.61	26.76	27.55	31.49	35.43	39.37	43.30	56
7.55	9.13	10.70	12.28	13.85	15.43	17.00	18.58	19.05	20.15	23.30	26.45	29.60	30.39	34.33	38.27	42.20	46.14	57
-	-	-	7.20	8.78	10.36	11.94	13.52	13.99	15.10	18.25	21.40	24.55	25.34	29.28	33.22	37.16	41.09	58
6.44	8.02	9.59	11.17	12.75	14.32	15.90	17.47	17.95	19.05	22.20	25.35	28.50	29.29	33.22	37.16	41.10	45.04	59
7.86	9.44	11.02	12.59	14.17	15.74	17.32	18.89	19.37	20.47	23.62	26.77	29.92	30.71	34.64	38.58	42.52	46.45	60
8.18	9.76	11.33	12.91	14.48	16.06	17.63	19.21	19.68	20.78	23.93	27.08	30.23	31.02	34.96	38.90	42.83	46.77	61
7.07	8.65	10.22	11.80	13.38	14.95	16.53	18.10	18.58	19.68	22.83	25.98	29.13	29.92	33.85	37.79	41.73	45.67	62
5.95	7.54	9.11	10.69	12.27	13.85	15.42	17.00	17.47	18.57	21.72	24.87	28.03	28.81	32.75	36.69	40.63	44.56	63
-	-	6.88	8.47	10.05	11.63	13.20	14.78	15.25	16.36	19.51	22.66	25.81	26.60	30.54	34.48	38.42	42.35	64
7.38	8.96	10.54	12.12	13.69	15.27	16.84	18.42	18.89	19.99	23.14	26.29	29.44	30.23	34.17	38.11	42.04	45.98	65
8.49	10.07	11.65	13.22	14.80	16.37	17.95	19.52	20.00	21.10	24.25	27.40	30.55	31.34	35.27	39.21	43.15	47.08	66
6.59	8.17	9.75	11.32	12.90	14.48	16.05	17.63	18.10	19.20	22.35	25.50	28.66	29.44	33.38	37.32	41.26	45.19	67
7.70	9.28	10.85	12.43	14.01	15.58	17.16	18.73	19.21	20.31	23.46	26.61	29.76	30.55	34.48	38.42	42.36	46.30	68
-	6.57	8.15	9.73	11.31	12.89	14.47	16.04	16.52	17.62	20.77	23.92	27.07	27.86	31.80	35.74	39.68	43.61	69
-	-	-	-	-	-	-	-	-	-	13.13	16.30	19.46	20.25	24.20	28.14	32.09	36.03	70
-	-	-	-	-	-	9.83	11.42	11.90	13.01	16.17	19.33	22.48	23.27	27.21	31.15	35.09	39.03	71
6.10	7.68	9.26	10.84	12.42	14.00	15.57	17.15	17.62	18.73	21.88	25.03	28.18	28.97	32.91	36.84	40.78	44.72	72
8.02	9.59	11.17	12.75	14.32	15.90	17.47	19.05	19.52	20.62	23.77	26.92	30.07	30.86	34.80	38.74	42.67	46.61	73
7.22	8.80	10.38	11.95	13.53	15.11	16.68	18.26	18.73	19.83	22.98	26.13	29.29	30.07	34.01	37.95	41.89	45.82	74
-	-	-	-	8.10	9.69	11.27	12.86	13.33	14.44	17.60	20.75	23.91	24.70	28.64	32.58	36.52	40.45	75
8.33	9.91	11.49	13.06	14.64	16.21	17.79	19.36	19.84	20.94	24.09	27.24	30.39	31.18	35.11	39.05	42.99	46.93	76
-	-	7.17	8.76	10.35	11.93	13.51	15.08	15.56	16.66	19.82	22.97	26.12	26.91	30.85	34.79	38.73	42.67	77
7.54	9.11	10.69	12.27	13.85	15.42	17.00	18.57	19.05	20.15	23.30	26.45	29.60	30.39	34.33	38.26	42.20	46.14	78
6.74	8.32	9.90	11.47	13.05	14.63	16.21	17.78	18.25	19.36	22.51	25.66	28.81	29.60	33.54	37.47	41.41	45.35	79
-	6.71	8.30	9.88	11.46	13.04	14.62	16.20	16.67	17.77	20.93	24.08	27.23	28.02	31.96	35.89	39.83	43.77	80
7.85	9.43	11.01	12.58	14.16	15.74	17.31	18.89	19.36	20.46	23.61	26.76	29.92	30.70	34.64	38.58	42.52	46.45	81
6.25	7.83	9.41	10.99	12.57	14.15	15.73	17.30	17.78	18.88	22.03	25.18	28.34	29.12	33.06	37.00	40.94	44.87	82
-	-	-	7.78	9.37	10.96	12.54	14.12	14.60	15.70	18.86	22.01	25.17	25.96	29.90	33.84	37.78	41.71	83
7.37	8.95	10.53	12.11	13.68	15.26	16.84	18.41	18.88	19.99	23.14	26.29	29.44	30.23	34.17	38.10	42.04	45.98	84
8.17	9.75	11.32	12.90	14.48	16.05	17.63	19.20	19.68	20.78	23.93	27.08	30.23	31.02	34.96	38.89	42.83	46.77	85
-	6.86	8.44	10.03	11.61	13.19	14.77	16.35	16.82	17.92	21.08	24.23	27.38	28.17	32.11	36.05	39.99	43.93	86
-	-	-	-	-	-	-	-	-	10.52	13.71	16.89	20.06	20.85	24.80	28.75	32.69	36.64	87
6.88	8.47	10.05	11.63	13.20	14.78	16.36	17.93	18.41	19.51	22.66	25.81	28.97	29.75	33.69	37.63	41.57	45.50	88
7.68	9.26	10.84	12.42	14.00	15.57	17.15	18.73	19.20	20.30	23.45	26.60	29.76	30.54	34.48	38.42	42.36	46.29	89
6.39	7.98	9.56	11.14	12.72	14.30	15.88	17.46	17.93	19.03	22.19	25.34	28.49	29.28	33.22	37.15	41.09	45.03	90
-	-	7.46	9.05	10.64	12.22	13.81	15.39	15.86	16.97	20.12	23.28	26.43	27.22	31.16	35.10	39.04	42.98	91
-	-	-	-	-	8.81	10.41	12.00	12.48	13.59	16.76	19.93	23.09	23.88	27.82	31.77	35.71	39.65	92
8.00	9.58	11.16	12.74	14.31	15.89	17.47	19.04	19.51	20.62	23.77	26.92	30.07	30.86	34.80	38.73	42.67	46.61	93
-	-	-	8.07	9.66	11.25	12.84	14.42	14.89	16.00	19.16	22.32	25.47	26.26	30.20	34.14	38.08	42.02	94
5.40	7.00	8.59	10.18	11.76	13.34	14.92	16.50	16.97	18.08	21.23	24.38	27.54	28.32	32.26	36.20	40.14	44.08	95
7.52	9.10	10.68	12.26	13.84	15.41	16.99	18.57	19.04	20.14	23.29	26.44	29.60	30.38	34.32	38.26	42.20	46.13	96
-	-	-	-	8.67	10.27	11.86	13.45	13.92	15.03	18.20	21.36	24.51	25.30	29.25	33.19	37.13	41.07	97
-	6.00	7.60	9.20	10.79	12.37	13.95	15.54	16.01	17.12	20.27	23.43	26.58	27.37	31.31	35.25	39.19	43.13	98
7.03	8.61	10.20	11.78	13.36	14.93	16.51	18.09	18.56	19.66	22.82	25.97	29.12	29.91	33.85	37.78	41.72	45.66	99
6.54	8.13	9.71	11.29	12.87	14.45	16.03	17.61	18.08	19.19	22.34	25.49	28.64	29.43	33.37	37.31	41.25	45.19	100
0.90	0.90	0.90	0.90	1.00	1.00	1.00	1.00	1.00	1.10	1.10	1.10	1.10	1.20	1.20	1.20	1.20	1.20	

QT Power Chain Synchronous 8M

Drive Selection Tables

Line No.	Drive Ratio	Sprocket Combination				1160 RPM DriveR					1750 RPM DriveR						
		DRIVER		DRIVEN		DN RPM	Horsepower				DN RPM	Horsepower				560	600
		Teeth	PD (in)	Teeth	PD (in)		12MM	22MM	35MM	60MM		12MM	22MM	35MM	60MM		
Multiply Horsepower Listed by Length Correction Factor to Find Horsepower Rating -->																0.80	0.80
101	1.73	22	2.206	38	3.810	672	3.98	7.29	11.60	19.88	1013	5.63	10.32	16.42	28.15	6.25	7.04
102	1.75	32	3.208	56	5.614	663	6.45	11.82	18.80	32.23	1000	9.12	16.72	26.59	45.59	-	-
103	1.75	64	6.416	112	11.229	663	14.30	26.22	41.72	71.51	1000	20.12	36.89	58.68	100.60	-	-
104	1.78	36	3.609	64	6.416	652	7.43	13.63	21.68	37.16	984	10.51	19.26	30.65	52.54	-	-
105	1.80	40	4.010	72	7.218	644	8.42	15.43	24.55	42.09	972	11.89	21.81	34.69	59.47	-	-
106	1.80	80	8.020	144	14.437	644	18.19	33.35	53.06	90.96	972	25.49	46.72	74.33	127.43	-	-
107	1.82	22	2.206	40	4.010	638	3.98	7.29	11.60	19.88	962	5.63	10.32	16.42	28.15	6.07	6.87
108	1.82	44	4.411	80	8.020	638	9.40	17.24	27.42	47.01	962	13.28	24.34	38.72	66.38	-	-
109	1.83	24	2.406	44	4.411	633	4.47	8.20	13.04	22.35	955	6.33	11.60	18.46	31.65	5.58	6.38
110	1.85	26	2.607	48	4.812	628	4.96	9.10	14.48	24.82	948	7.03	12.88	20.50	35.14	5.08	5.88
111	1.87	30	3.008	56	5.614	621	5.95	10.91	17.36	29.76	938	8.42	15.44	24.56	42.11	-	-
112	1.88	48	4.812	90	9.023	619	10.38	19.04	30.29	51.92	933	14.66	26.87	42.74	73.28	-	-
113	1.88	34	3.409	64	6.416	616	6.94	12.72	20.24	34.70	930	9.81	17.99	28.62	49.07	-	-
114	1.89	38	3.810	72	7.218	612	7.93	14.53	23.12	39.63	924	11.20	20.54	32.67	56.01	-	-
115	2.00	22	2.206	44	4.411	580	3.98	7.29	11.60	19.88	875	5.63	10.32	16.42	28.15	5.72	6.52
116	2.00	24	2.406	48	4.812	580	4.47	8.20	13.04	22.35	875	6.33	11.60	18.46	31.65	5.22	6.02
117	2.00	28	2.807	56	5.614	580	5.46	10.01	15.92	27.29	875	7.72	14.16	22.53	38.62	-	5.00
118	2.00	32	3.208	64	6.416	580	6.45	11.82	18.80	32.23	875	9.12	16.72	26.59	45.59	-	-
119	2.00	36	3.609	72	7.218	580	7.43	13.63	21.68	37.16	875	10.51	19.26	30.65	52.54	-	-
120	2.00	40	4.010	80	8.020	580	8.42	15.43	24.55	42.09	875	11.89	21.81	34.69	59.47	-	-
121	2.00	56	5.614	112	11.229	580	12.35	22.64	36.01	61.73	875	17.40	31.90	50.74	86.99	-	-
122	2.00	72	7.218	144	14.437	580	16.25	29.79	47.40	81.25	875	22.82	41.83	66.55	114.08	-	-
123	2.05	44	4.411	90	9.023	567	9.40	17.24	27.42	47.01	856	13.28	24.34	38.72	66.38	-	-
124	2.11	38	3.810	80	8.020	551	7.93	14.53	23.12	39.63	831	11.20	20.54	32.67	56.01	-	-
125	2.12	34	3.409	72	7.218	548	6.94	12.72	20.24	34.70	826	9.81	17.99	28.62	49.07	-	-
126	2.13	30	3.008	64	6.416	544	5.95	10.91	17.36	29.76	820	8.42	15.44	24.56	42.11	-	-
127	2.15	26	2.607	56	5.614	539	4.96	9.10	14.48	24.82	812	7.03	12.88	20.50	35.14	-	5.13
128	2.18	22	2.206	48	4.812	532	3.98	7.29	11.60	19.88	802	5.63	10.32	16.42	28.15	5.35	6.16
129	2.22	36	3.609	80	8.020	522	7.43	13.63	21.68	37.16	788	10.51	19.26	30.65	52.54	-	-
130	2.25	32	3.208	72	7.218	516	6.45	11.82	18.80	32.23	778	9.12	16.72	26.59	45.59	-	-
131	2.25	40	4.010	90	9.023	516	8.42	15.43	24.55	42.09	778	11.89	21.81	34.69	59.47	-	-
132	2.25	64	6.416	144	14.437	516	14.30	26.22	41.72	71.51	778	20.12	36.89	58.68	100.60	-	-
133	2.29	28	2.807	64	6.416	508	5.46	10.01	15.92	27.29	766	7.72	14.16	22.53	38.62	-	-
134	2.33	24	2.406	56	5.614	497	4.47	8.20	13.04	22.35	750	6.33	11.60	18.46	31.65	-	5.27
135	2.33	48	4.812	112	11.229	497	10.38	19.04	30.29	51.92	750	14.66	26.87	42.74	73.28	-	-
136	2.35	34	3.409	80	8.020	493	6.94	12.72	20.24	34.70	744	9.81	17.99	28.62	49.07	-	-
137	2.37	38	3.810	90	9.023	490	7.93	14.53	23.12	39.63	739	11.20	20.54	32.67	56.01	-	-
138	2.40	30	3.008	72	7.218	483	5.95	10.91	17.36	29.76	729	8.42	15.44	24.56	42.11	-	-
139	2.40	80	8.020	192	19.249	483	18.19	33.35	53.06	90.96	729	25.49	46.72	74.33	127.43	-	-
140	2.46	26	2.607	64	6.416	471	4.96	9.10	14.48	24.82	711	7.03	12.88	20.50	35.14	-	-
141	2.50	32	3.208	80	8.020	464	6.45	11.82	18.80	32.23	700	9.12	16.72	26.59	45.59	-	-
142	2.50	36	3.609	90	9.023	464	7.43	13.63	21.68	37.16	700	10.51	19.26	30.65	52.54	-	-
143	2.55	22	2.206	56	5.614	456	3.98	7.29	11.60	19.88	688	5.63	10.32	16.42	28.15	-	5.40
144	2.55	44	4.411	112	11.229	456	9.40	17.24	27.42	47.01	688	13.28	24.34	38.72	66.38	-	-
145	2.57	28	2.807	72	7.218	451	5.46	10.01	15.92	27.29	681	7.72	14.16	22.53	38.62	-	-
146	2.57	56	5.614	144	14.437	451	12.35	22.64	36.01	61.73	681	17.40	31.90	50.74	86.99	-	-
147	2.65	34	3.409	90	9.023	438	6.94	12.72	20.24	34.70	661	9.81	17.99	28.62	49.07	-	-
148	2.67	24	2.406	64	6.416	435	4.47	8.20	13.04	22.35	656	6.33	11.60	18.46	31.65	-	-
149	2.67	30	3.008	80	8.020	435	5.95	10.91	17.36	29.76	656	8.42	15.44	24.56	42.11	-	-
150	2.67	72	7.218	192	19.249	435	16.25	29.79	47.40	81.25	656	22.82	41.83	66.55	114.08	-	-
Multiply Horsepower Listed by Length Correction Factor to Find Horsepower Rating -->																0.80	0.80

QT Power Chain Synchronous 8M

Drive Selection Tables

CENTER DISTANCE																				Line No.
BELT LENGTH - Length Correction Factor																				
640	720	800	880	960	1040	1120	1200	1224	1280	1440	1600	1760	1800	2000	2200	2400	2600	2800	3048	
0.90	0.90	0.90	0.90	1.00	1.00	1.00	1.00	1.00	1.10	1.10	1.10	1.10	1.20	1.20	1.20	1.20	1.20	1.20	1.20	
7.83	9.41	10.99	12.57	14.15	15.73	17.30	18.88	19.35	20.46	23.61	26.76	29.91	30.70	34.64	38.57	42.51	46.45	50.39	55.27	101
5.54	7.14	8.74	10.32	11.91	13.49	15.07	16.65	17.12	18.23	21.38	24.54	27.69	28.48	32.42	36.36	40.30	44.24	48.17	53.06	102
-	-	-	-	-	-	-	-	9.95	11.08	14.29	17.47	20.65	21.44	25.40	29.35	33.30	37.25	41.19	46.08	103
-	6.14	7.75	9.34	10.93	12.52	14.10	15.69	16.16	17.27	20.42	23.58	26.73	27.52	31.46	35.41	39.35	43.28	47.22	52.11	104
-	-	6.74	8.35	9.95	11.54	13.13	14.72	15.19	16.30	19.46	22.62	25.78	26.57	30.51	34.45	38.39	42.33	46.27	51.16	105
-	-	-	-	-	-	-	-	-	-	-	13.48	16.70	17.50	21.49	25.47	29.43	33.39	37.34	42.24	106
7.66	9.25	10.83	12.41	13.99	15.56	17.14	18.72	19.19	20.29	23.45	26.60	29.75	30.54	34.48	38.41	42.35	46.29	50.23	55.11	107
-	-	-	7.34	8.95	10.55	12.15	13.74	14.22	15.33	18.49	21.66	24.82	25.61	29.55	33.49	37.44	41.38	45.32	50.20	108
7.17	8.76	10.35	11.93	13.51	15.08	16.66	18.24	18.71	19.82	22.97	26.12	29.27	30.06	34.00	37.94	41.88	45.82	49.75	54.64	109
6.68	8.27	9.86	11.44	13.02	14.60	16.18	17.76	18.23	19.34	22.49	25.65	28.80	29.59	33.53	37.46	41.40	45.34	49.28	54.16	110
5.68	7.28	8.88	10.47	12.06	13.64	15.22	16.80	17.27	18.38	21.54	24.69	27.84	28.63	32.57	36.51	40.45	44.39	48.33	53.21	111
-	-	-	-	7.75	9.37	10.98	12.58	13.06	14.17	17.35	20.52	23.69	24.48	28.43	32.37	36.32	40.26	44.20	49.09	112
-	6.28	7.89	9.49	11.08	12.67	14.25	15.83	16.31	17.42	20.57	23.73	26.89	27.68	31.62	35.56	39.50	43.44	47.38	52.26	113
-	-	6.88	8.49	10.09	11.69	13.28	14.86	15.34	16.45	19.61	22.77	25.93	26.72	30.66	34.60	38.54	42.49	46.43	51.31	114
7.32	8.91	10.49	12.08	13.66	15.24	16.81	18.39	18.87	19.97	23.12	26.28	29.43	30.22	34.16	38.09	42.03	45.97	49.91	54.79	115
6.82	8.42	10.01	11.59	13.17	14.75	16.33	17.91	18.39	19.49	22.65	25.80	28.95	29.74	33.68	37.62	41.56	45.50	49.43	54.32	116
5.81	7.43	9.02	10.62	12.20	13.79	15.37	16.95	17.42	18.53	21.69	24.84	28.00	28.78	32.73	36.67	40.61	44.54	48.48	53.37	117
-	6.41	8.03	9.63	11.22	12.81	14.40	15.98	16.46	17.56	20.73	23.88	27.04	27.83	31.77	35.71	39.65	43.59	47.53	52.42	118
-	-	7.01	8.63	10.23	11.83	13.42	15.01	15.49	16.59	19.76	22.92	26.08	26.87	30.81	34.76	38.70	42.64	46.58	51.46	119
-	-	-	7.61	9.23	10.84	12.44	14.03	14.51	15.62	18.79	21.96	25.12	25.91	29.85	33.80	37.74	41.68	45.63	50.51	120
-	-	-	-	-	-	-	10.00	10.49	11.63	14.85	18.05	21.23	22.03	25.99	29.95	33.90	37.85	41.80	46.69	121
-	-	-	-	-	-	-	-	-	-	-	14.02	17.26	18.06	22.07	26.05	30.02	33.98	37.94	42.84	122
-	-	-	-	8.01	9.65	11.26	12.86	13.34	14.46	17.64	20.82	23.98	24.77	28.73	32.67	36.62	40.56	44.51	49.39	123
-	-	-	7.75	9.37	10.98	12.58	14.17	14.65	15.76	18.94	22.10	25.27	26.06	30.00	33.95	37.89	41.84	45.78	50.66	124
-	-	7.15	8.77	10.38	11.97	13.57	15.16	15.63	16.74	19.91	23.07	26.23	27.02	30.97	34.91	38.85	42.79	46.73	51.62	125
-	6.55	8.17	9.77	11.37	12.96	14.55	16.13	16.61	17.71	20.88	24.03	27.19	27.98	31.92	35.86	39.81	43.75	47.69	52.57	126
5.95	7.57	9.17	10.76	12.35	13.93	15.52	17.10	17.57	18.68	21.84	24.99	28.15	28.94	32.88	36.82	40.76	44.70	48.64	53.52	127
6.96	8.56	10.15	11.74	13.32	14.90	16.48	18.06	18.54	19.64	22.80	25.95	29.10	29.89	33.83	37.77	41.71	45.65	49.59	54.47	128
-	-	-	7.88	9.51	11.12	12.72	14.32	14.80	15.91	19.09	22.25	25.42	26.21	30.16	34.10	38.05	41.99	45.93	50.82	129
-	-	7.28	8.91	10.52	12.12	13.71	15.30	15.78	16.89	20.06	23.22	26.38	27.17	31.12	35.06	39.00	42.95	46.89	51.77	130
-	-	-	-	8.28	9.92	11.54	13.15	13.63	14.75	17.94	21.11	24.28	25.07	29.03	32.98	36.92	40.87	44.81	49.70	131
-	-	-	-	-	-	-	-	-	-	11.25	14.57	17.82	18.62	22.64	26.63	30.60	34.57	38.53	43.44	132
-	6.69	8.31	9.91	11.51	13.10	14.69	16.28	16.75	17.86	21.02	24.18	27.34	28.13	32.08	36.02	39.96	43.90	47.84	52.72	133
6.09	7.71	9.31	10.91	12.50	14.08	15.67	17.25	17.72	18.83	21.99	25.15	28.30	29.09	33.03	36.97	40.91	44.85	48.79	53.68	134
-	-	-	-	-	-	8.87	10.54	11.03	12.18	15.41	18.62	21.81	22.61	26.58	30.54	34.50	38.45	42.40	47.29	135
-	-	-	8.01	9.65	11.26	12.86	14.46	14.94	16.05	19.23	22.40	25.57	26.36	30.31	34.25	38.20	42.14	46.08	50.97	136
-	-	-	-	8.42	10.06	11.68	13.29	13.77	14.89	18.08	21.26	24.43	25.22	29.17	33.13	37.07	41.02	44.96	49.85	137
-	-	7.42	9.05	10.66	12.26	13.86	15.45	15.92	17.04	20.21	23.37	26.53	27.32	31.27	35.21	39.16	43.10	47.04	51.93	138
-	-	-	-	-	-	-	-	-	-	-	-	-	-	17.03	21.14	25.20	29.22	33.23	38.17	139
-	6.82	8.45	10.06	11.66	13.25	14.84	16.42	16.90	18.01	21.17	24.33	27.49	28.28	32.23	36.17	40.11	44.05	47.99	52.88	140
-	-	6.48	8.15	9.78	11.40	13.01	14.60	15.08	16.20	19.38	22.55	25.71	26.50	30.46	34.40	38.35	42.29	46.24	51.12	141
-	-	-	-	8.55	10.19	11.82	13.43	13.91	15.03	18.22	21.40	24.58	25.37	29.32	33.28	37.22	41.17	45.12	50.01	142
6.22	7.85	9.45	11.05	12.64	14.23	15.81	17.40	17.87	18.98	22.14	25.30	28.45	29.24	33.18	37.13	41.07	45.01	48.95	53.83	143
-	-	-	-	-	-	9.13	10.80	11.30	12.45	15.69	18.91	22.10	22.90	26.87	30.84	34.79	38.75	42.70	47.59	144
-	5.89	7.55	9.18	10.80	12.40	14.00	15.59	16.07	17.18	20.35	23.52	26.68	27.47	31.42	35.36	39.31	43.25	47.19	52.08	145
-	-	-	-	-	-	-	-	-	-	11.77	15.10	18.37	19.18	23.20	27.20	31.18	35.16	39.12	44.03	146
-	-	-	7.00	8.68	10.33	11.95	13.57	14.05	15.17	18.37	21.55	24.72	25.51	29.47	33.43	37.37	41.32	45.27	50.16	147
5.29	6.96	8.58	10.20	11.80	13.39	14.98	16.57	17.05	18.16	21.32	24.48	27.64	28.43	32.38	36.32	40.27	44.21	48.15	53.03	148
-	-	6.61	8.28	9.92	11.54	13.15	14.75	15.23	16.34	19.52	22.70	25.86	26.65	30.61	34.55	38.50	42.45	46.39	51.28	149
-	-	-	-	-	-	-	-	-	-	-	-	-	-	17.55	21.69	25.75	29.79	33.80	38.75	150
0.90	0.90	0.90	0.90	1.00	1.00	1.00	1.00	1.00	1.10	1.10	1.10	1.10	1.20	1.20	1.20	1.20	1.20	1.20	1.20	1.20

QT Power Chain Synchronous 8M

Drive Selection Tables

Line No.	Drive Ratio	Sprocket Combination				1160 RPM DriveR					1750 RPM DriveR							
		DRIVER		DRIVEN		DN RPM	Horsepower				DN RPM	Horsepower				720	800	880
		Teeth	PD (in)	Teeth	PD (in)		12MM	22MM	35MM	60MM		12MM	22MM	35MM	60MM			
Multiply Horsepower Listed by Length Correction Factor to Find Horsepower Rating →																		
151	2.77	26	2.607	72	7.218	419	4.96	9.10	14.48	24.82	632	7.03	12.88	20.50	35.14	6.01	7.69	9.32
152	2.80	40	4.010	112	11.229	414	8.42	15.43	24.55	42.09	625	11.89	21.81	34.69	59.47	-	-	-
153	2.81	32	3.208	90	9.023	412	6.45	11.82	18.80	32.23	622	9.12	16.72	26.59	45.59	-	-	7.12
154	2.86	28	2.807	80	8.020	406	5.46	10.01	15.92	27.29	612	7.72	14.16	22.53	38.62	-	6.74	8.42
155	2.91	22	2.206	64	6.416	399	3.98	7.29	11.60	19.88	602	5.63	10.32	16.42	28.15	7.09	8.72	10.34
156	2.95	38	3.810	112	11.229	394	7.93	14.53	23.12	39.63	594	11.20	20.54	32.67	56.01	-	-	-
157	3.00	24	2.406	72	7.218	387	4.47	8.20	13.04	22.35	583	6.33	11.60	18.46	31.65	6.14	7.82	9.46
158	3.00	30	3.008	90	9.023	387	5.95	10.91	17.36	29.76	583	8.42	15.44	24.56	42.11	-	-	7.25
159	3.00	48	4.812	144	14.437	387	10.38	19.04	30.29	51.92	583	14.66	26.87	42.74	73.28	-	-	-
160	3.00	64	6.416	192	19.249	387	14.30	26.22	41.72	71.51	583	20.12	36.89	58.68	100.60	-	-	-
161	3.08	26	2.607	80	8.020	377	4.96	9.10	14.48	24.82	569	7.03	12.88	20.50	35.14	-	6.87	8.55
162	3.11	36	3.609	112	11.229	373	7.43	13.63	21.68	37.16	562	10.51	19.26	30.65	52.54	-	-	-
163	3.21	28	2.807	90	9.023	361	5.46	10.01	15.92	27.29	544	7.72	14.16	22.53	38.62	-	-	7.38
164	3.27	22	2.206	72	7.218	354	3.98	7.29	11.60	19.88	535	5.63	10.32	16.42	28.15	6.27	7.95	9.59
165	3.27	44	4.411	144	14.437	354	9.40	17.24	27.42	47.01	535	13.28	24.34	38.72	66.38	-	-	-
166	3.29	34	3.409	112	11.229	352	6.94	12.72	20.24	34.70	531	9.81	17.99	28.62	49.07	-	-	-
167	3.33	24	2.406	80	8.020	348	4.47	8.20	13.04	22.35	525	6.33	11.60	18.46	31.65	-	7.00	8.68
168	3.43	56	5.614	192	19.249	338	12.35	22.64	36.01	61.73	510	17.40	31.90	50.74	86.99	-	-	-
169	3.46	26	2.607	90	9.023	335	4.96	9.10	14.48	24.82	506	7.03	12.88	20.50	35.14	-	-	7.50
170	3.50	32	3.208	112	11.229	331	6.45	11.82	18.80	32.23	500	9.12	16.72	26.59	45.59	-	-	-
171	3.60	40	4.010	144	14.437	322	8.42	15.43	24.55	42.09	486	11.89	21.81	34.69	59.47	-	-	-
172	3.64	22	2.206	80	8.020	319	3.98	7.29	11.60	19.88	481	5.63	10.32	16.42	28.15	-	7.12	8.81
173	3.73	30	3.008	112	11.229	311	5.95	10.91	17.36	29.76	469	8.42	15.44	24.56	42.11	-	-	-
174	3.75	24	2.406	90	9.023	309	4.47	8.20	13.04	22.35	467	6.33	11.60	18.46	31.65	-	-	7.63
175	3.79	38	3.810	144	14.437	306	7.93	14.53	23.12	39.63	462	11.20	20.54	32.67	56.01	-	-	-
176	4.00	28	2.807	112	11.229	290	5.46	10.01	15.92	27.29	438	7.72	14.16	22.53	38.62	-	-	-
177	4.00	36	3.609	144	14.437	290	7.43	13.63	21.68	37.16	438	10.51	19.26	30.65	52.54	-	-	-
178	4.00	48	4.812	192	19.249	290	10.38	19.04	30.29	51.92	438	14.66	26.87	42.74	73.28	-	-	-
179	4.09	22	2.206	90	9.023	284	3.98	7.29	11.60	19.88	428	5.63	10.32	16.42	28.15	-	-	7.75
180	4.24	34	3.409	144	14.437	274	6.94	12.72	20.24	34.70	413	9.81	17.99	28.62	49.07	-	-	-
181	4.31	26	2.607	112	11.229	269	4.96	9.10	14.48	24.82	406	7.03	12.88	20.50	35.14	-	-	-
182	4.36	44	4.411	192	19.249	266	9.40	17.24	27.42	47.01	401	13.28	24.34	38.72	66.38	-	-	-
183	4.50	32	3.208	144	14.437	258	6.45	11.82	18.80	32.23	389	9.12	16.72	26.59	45.59	-	-	-
184	4.67	24	2.406	112	11.229	249	4.47	8.20	13.04	22.35	375	6.33	11.60	18.46	31.65	-	-	-
185	4.80	30	3.008	144	14.437	242	5.95	10.91	17.36	29.76	365	8.42	15.44	24.56	42.11	-	-	-
186	4.80	40	4.010	192	19.249	242	8.42	15.43	24.55	42.09	365	11.89	21.81	34.69	59.47	-	-	-
187	5.05	38	3.810	192	19.249	230	7.93	14.53	23.12	39.63	346	11.20	20.54	32.67	56.01	-	-	-
188	5.09	22	2.206	112	11.229	228	3.98	7.29	11.60	19.88	344	5.63	10.32	16.42	28.15	-	-	-
189	5.14	28	2.807	144	14.437	226	5.46	10.01	15.92	27.29	340	7.72	14.16	22.53	38.62	-	-	-
190	5.33	36	3.609	192	19.249	218	7.43	13.63	21.68	37.16	328	10.51	19.26	30.65	52.54	-	-	-
191	5.54	26	2.607	144	14.437	209	4.96	9.10	14.48	24.82	316	7.03	12.88	20.50	35.14	-	-	-
192	5.65	34	3.409	192	19.249	205	6.94	12.72	20.24	34.70	310	9.81	17.99	28.62	49.07	-	-	-
193	6.00	24	2.406	144	14.437	193	4.47	8.20	13.04	22.35	292	6.33	11.60	18.46	31.65	-	-	-
194	6.00	32	3.208	192	19.249	193	6.45	11.82	18.80	32.23	292	9.12	16.72	26.59	45.59	-	-	-
195	6.40	30	3.008	192	19.249	181	5.95	10.91	17.36	29.76	273	8.42	15.44	24.56	42.11	-	-	-
196	6.55	22	2.206	144	14.437	177	3.98	7.29	11.60	19.88	267	5.63	10.32	16.42	28.15	-	-	-
197	6.86	28	2.807	192	19.249	169	5.46	10.01	15.92	27.29	255	7.72	14.16	22.53	38.62	-	-	-
198	7.38	26	2.607	192	19.249	157	4.96	9.10	14.48	24.82	237	7.03	12.88	20.50	35.14	-	-	-
199	8.00	24	2.406	192	19.249	145	4.47	8.20	13.04	22.35	219	6.33	11.60	18.46	31.65	-	-	-
200	8.73	22	2.206	192	19.249	133	3.98	7.29	11.60	19.88	201	5.63	10.32	16.42	28.15	-	-	-
Multiply Horsepower Listed by Length Correction Factor to Find Horsepower Rating →																		
																0.90	0.90	0.90

QT Power Chain Synchronous 8M

Drive Selection Tables

CENTER DISTANCE																			Line No.
BELT LENGTH – Length Correction Factor																			
960	1040	1120	1200	1224	1280	1440	1600	1760	1800	2000	2200	2400	2600	2800	3048	3280	3600	4400	
1.00	1.00	1.00	1.00	1.00	1.10	1.10	1.10	1.10	1.20	1.20	1.20	1.20	1.20	1.20	1.20	1.20	1.20	1.20	
10.94	12.54	14.14	15.74	16.21	17.33	20.50	23.67	26.83	27.62	31.57	35.52	39.46	43.40	47.35	52.23	56.80	63.11	78.86	151
-	-	9.38	11.06	11.56	12.72	15.97	19.19	22.39	23.18	27.16	31.13	35.09	39.05	43.00	47.90	52.47	58.79	74.56	152
8.81	10.46	12.09	13.71	14.19	15.31	18.51	21.69	24.87	25.66	29.62	33.57	37.53	41.47	45.42	50.31	54.88	61.19	76.95	153
10.06	11.68	13.29	14.89	15.37	16.49	19.67	22.84	26.01	26.80	30.76	34.71	38.65	42.60	46.54	51.43	56.00	62.31	78.07	154
11.94	13.54	15.13	16.72	17.19	18.30	21.47	24.63	27.79	28.58	32.53	36.47	40.42	44.36	48.30	53.19	57.76	64.06	79.81	155
-	-	9.51	11.20	11.70	12.85	16.11	19.33	22.53	23.33	27.31	31.28	35.24	39.19	43.15	48.05	52.63	58.94	74.71	156
11.08	12.69	14.29	15.88	16.36	17.47	20.65	23.82	26.98	27.77	31.72	35.67	39.61	43.56	47.50	52.39	56.96	63.26	79.02	157
8.94	10.60	12.23	13.85	14.33	15.46	18.66	21.84	25.02	25.81	29.77	33.72	37.68	41.62	45.57	50.46	55.04	61.34	77.11	158
-	-	-	-	-	-	12.29	15.64	18.92	19.73	23.76	27.77	31.76	35.74	39.71	44.62	49.21	55.54	71.33	159
-	-	-	-	-	-	-	-	-	13.78	18.07	22.22	26.30	30.35	34.36	39.32	43.94	50.30	66.15	160
10.19	11.82	13.43	15.03	15.51	16.63	19.82	22.99	26.16	26.95	30.91	34.86	38.80	42.75	46.69	51.58	56.16	62.46	78.22	161
-	-	9.64	11.33	11.83	12.98	16.25	19.47	22.67	23.47	27.45	31.42	35.39	39.34	43.30	48.20	52.78	59.09	74.86	162
9.07	10.73	12.37	13.99	14.47	15.60	18.80	21.99	25.16	25.96	29.92	33.87	37.83	41.77	45.72	50.61	55.19	61.50	77.26	163
11.22	12.83	14.43	16.02	16.50	17.62	20.79	23.96	27.13	27.92	31.87	35.82	39.76	43.71	47.65	52.54	57.11	63.42	79.17	164
-	-	-	-	-	-	12.54	15.90	19.19	20.00	24.04	28.06	32.05	36.03	40.00	44.92	49.51	55.84	71.64	165
-	-	9.77	11.46	11.96	13.12	16.38	19.61	22.81	23.61	27.60	31.57	35.53	39.49	43.45	48.35	52.93	59.24	75.02	166
10.33	11.95	13.57	15.17	15.65	16.77	19.96	23.14	26.31	27.10	31.05	35.01	38.95	42.90	46.85	51.73	56.31	62.61	78.37	167
-	-	-	-	-	-	-	-	13.38	14.28	18.59	22.76	26.85	30.90	34.93	39.89	44.52	50.88	66.74	168
9.20	10.86	12.50	14.12	14.61	15.74	18.94	22.13	25.31	26.10	30.07	34.02	37.97	41.92	45.87	50.76	55.34	61.65	77.41	169
-	8.15	9.90	11.59	12.09	13.25	16.52	19.75	22.96	23.76	27.74	31.71	35.68	39.64	43.60	48.50	53.08	59.39	75.17	170
-	-	-	-	-	-	12.80	16.17	19.46	20.27	24.32	28.34	32.34	36.32	40.29	45.21	49.81	56.14	71.94	171
10.46	12.09	13.71	15.31	15.80	16.92	20.10	23.28	26.45	27.25	31.20	35.16	39.10	43.05	47.00	51.89	56.46	62.77	78.53	172
-	8.27	10.02	11.72	12.22	13.38	16.66	19.89	23.10	23.90	27.89	31.86	35.83	39.79	43.74	48.65	53.23	59.54	75.32	173
9.33	11.00	12.64	14.26	14.75	15.88	19.08	22.27	25.45	26.25	30.21	34.17	38.12	42.07	46.02	50.92	55.49	61.80	77.57	174
-	-	-	-	-	-	12.92	16.30	19.59	20.41	24.46	28.48	32.48	36.46	40.44	45.36	49.95	56.28	72.09	175
-	8.39	10.15	11.85	12.35	13.52	16.79	20.03	23.24	24.04	28.03	32.01	35.97	39.94	43.89	48.79	53.38	59.69	75.47	176
-	-	-	-	-	-	13.05	16.43	19.73	20.55	24.60	28.62	32.62	36.61	40.58	45.50	50.10	56.43	72.24	177
-	-	-	-	-	-	-	-	13.87	14.77	19.11	23.29	27.40	31.46	35.49	40.46	45.09	51.46	67.33	178
9.46	11.13	12.77	14.40	14.89	16.02	19.23	22.42	25.60	26.39	30.36	34.32	38.27	42.22	46.17	51.07	55.64	61.95	77.72	179
-	-	-	-	-	-	13.18	16.56	19.86	20.68	24.74	28.76	32.76	36.75	40.73	45.65	50.25	56.58	72.39	180
-	8.51	10.28	11.98	12.48	13.65	16.93	20.17	23.38	24.18	28.17	32.15	36.12	40.08	44.04	48.94	53.53	59.84	75.63	181
-	-	-	-	-	-	-	-	14.11	15.02	19.37	23.56	27.67	31.73	35.77	40.74	45.38	51.75	67.62	182
-	-	-	-	-	9.72	13.30	16.69	20.00	20.82	24.88	28.90	32.91	36.90	40.87	45.80	50.40	56.73	72.54	183
-	8.64	10.40	12.11	12.61	13.78	17.07	20.31	23.52	24.32	28.32	32.30	36.27	40.23	44.19	49.09	53.68	60.00	75.78	184
-	-	-	-	-	9.84	13.43	16.82	20.13	20.95	25.02	29.04	33.05	37.04	41.02	45.94	50.54	56.88	72.69	185
-	-	-	-	-	-	-	-	14.36	15.26	19.62	23.82	27.94	32.01	36.05	41.02	45.66	52.04	67.92	186
-	-	-	-	-	-	-	-	14.48	15.39	19.75	23.95	28.07	32.14	36.18	41.17	45.81	52.18	68.07	187
-	8.76	10.53	12.24	12.74	13.91	17.20	20.45	23.66	24.47	28.46	32.44	36.41	40.38	44.34	49.24	53.83	60.15	75.93	188
-	-	-	-	-	9.96	13.56	16.96	20.27	21.09	25.15	29.18	33.19	37.18	41.16	46.09	50.69	57.03	72.84	189
-	-	-	-	-	-	-	-	14.60	15.51	19.88	24.08	28.21	32.28	36.32	41.31	45.95	52.33	68.21	190
-	-	-	-	-	10.07	13.68	17.09	20.40	21.22	25.29	29.32	33.33	37.33	41.31	46.24	50.84	57.17	72.99	191
-	-	-	-	-	-	-	-	14.72	15.63	20.01	24.22	28.34	32.42	36.46	41.45	46.09	52.47	68.36	192
-	-	-	-	-	10.19	13.81	17.22	20.54	21.36	25.43	29.46	33.48	37.47	41.45	46.38	50.98	57.32	73.14	193
-	-	-	-	-	-	-	-	14.84	15.75	20.13	24.35	28.48	32.56	36.60	41.59	46.23	52.62	68.51	194
-	-	-	-	-	-	-	-	14.96	15.88	20.26	24.48	28.61	32.69	36.74	41.73	46.38	52.76	68.65	195
-	-	-	-	-	10.31	13.93	17.35	20.67	21.49	25.57	29.60	33.62	37.61	41.60	46.53	51.13	57.47	73.29	196
-	-	-	-	-	-	-	-	15.08	16.00	20.39	24.61	28.75	32.83	36.88	41.87	46.52	52.90	68.80	197
-	-	-	-	-	-	-	-	15.20	16.12	20.52	24.74	28.88	32.97	37.02	42.01	46.66	53.05	68.95	198
-	-	-	-	-	-	-	-	15.32	16.24	20.64	24.87	29.01	33.10	37.16	42.15	46.80	53.19	69.09	199
-	-	-	-	-	-	-	11.48	15.44	16.36	20.77	25.00	29.15	33.24	37.29	42.29	46.94	53.33	69.24	200
1.00	1.00	1.00	1.00	1.00	1.10	1.10	1.10	1.10	1.20	1.20	1.20	1.20	1.20	1.20	1.20	1.20	1.20	1.20	1.20

QT Power Chain Synchronous 14M

Drive Selection Tables

Line No.	Drive Ratio	Sprocket Combination				1160 RPM DriveR					1750 RPM DriveR						
		DRIVER		DRIVEN		DN RPM	Horsepower					DN RPM	Horsepower				
		Teeth	PD (in)	Teeth	PD (in)		20MM	42MM	65MM	90MM	120MM		20MM	42MM	65MM	90MM	120MM
Multiply Horsepower Listed by Length Correction Factor to Find Horsepower Rating -->																	
1	1.00	28	4.913	28	4.913	1160	28.6	60.1	93.1	128.9	171.8	1750	40.3	84.7	131.1	181.5	242.0
2	1.00	29	5.088	29	5.088	1160	29.8	62.5	96.8	134.0	178.7	1750	41.9	88.0	136.3	188.7	251.6
3	1.00	30	5.263	30	5.263	1160	30.9	64.9	100.5	139.1	185.5	1750	43.5	91.4	141.4	195.8	261.1
4	1.00	32	5.614	32	5.614	1160	33.2	69.7	107.9	149.4	199.2	1750	46.7	98.1	151.8	210.1	280.2
5	1.00	34	5.965	34	5.965	1160	35.5	74.5	115.3	159.6	212.9	1750	49.9	104.7	162.1	224.4	299.2
6	1.00	36	6.316	36	6.316	1160	37.8	79.3	122.7	169.9	226.5	1750	53.0	111.3	172.3	238.6	318.1
7	1.00	38	6.667	38	6.667	1160	40.0	84.0	130.1	180.1	240.1	1750	56.2	117.9	182.5	252.7	337.0
8	1.00	40	7.018	40	7.018	1160	42.3	88.8	137.4	190.3	253.7	1750	59.3	124.5	192.7	266.8	355.7
9	1.00	44	7.720	44	7.720	1160	46.8	98.3	152.1	210.6	280.8	1750	65.5	137.6	212.9	294.8	393.0
10	1.00	48	8.421	48	8.421	1160	51.3	107.8	166.8	230.9	307.9	1750	71.7	150.5	232.9	322.4	429.9
11	1.00	52	9.123	52	9.123	1160	55.8	117.2	181.3	251.1	334.7	1750	77.7	163.3	252.6	349.8	466.4
12	1.00	56	9.825	56	9.825	1160	60.3	126.5	195.8	271.1	361.5	1750	83.8	175.9	272.2	376.9	502.5
13	1.00	60	10.527	60	10.527	1160	64.7	135.9	210.2	291.1	388.1	1750	89.7	188.3	291.5	403.6	538.1
14	1.00	64	11.229	64	11.229	1160	69.1	145.1	224.6	311.0	414.6	1750	95.5	200.6	310.5	429.9	573.2
15	1.00	68	11.930	68	11.930	1160	73.5	154.3	238.9	330.7	441.0	1750	101.3	212.7	329.2	455.8	607.7
16	1.00	72	12.632	72	12.632	1160	77.9	163.5	253.0	350.3	467.1	1750	107.0	224.6	347.6	481.3	641.7
17	1.00	80	14.036	80	14.036	1160	86.5	181.6	281.1	389.2	518.9	1750	118.0	247.7	383.4	530.8	707.8
18	1.03	29	5.088	30	5.263	1121	29.8	62.5	96.8	134.0	178.7	1692	41.9	88.0	136.3	188.7	251.6
19	1.04	28	4.913	29	5.088	1120	28.6	60.1	93.1	128.9	171.8	1690	40.3	84.7	131.1	181.5	242.0
20	1.05	38	6.667	40	7.018	1102	40.0	84.0	130.1	180.1	240.1	1662	56.2	117.9	182.5	252.7	337.0
21	1.06	36	6.316	38	6.667	1099	37.8	79.3	122.7	169.9	226.5	1658	53.0	111.3	172.3	238.6	318.1
22	1.06	34	5.965	36	6.316	1096	35.5	74.5	115.3	159.6	212.9	1653	49.9	104.7	162.1	224.4	299.2
23	1.06	68	11.930	72	12.632	1096	73.5	154.3	238.9	330.7	441.0	1653	101.3	212.7	329.2	455.8	607.7
24	1.06	32	5.614	34	5.965	1092	33.2	69.7	107.9	149.4	199.2	1647	46.7	98.1	151.8	210.1	280.2
25	1.06	64	11.229	68	11.930	1092	69.1	145.1	224.6	311.0	414.6	1647	95.5	200.6	310.5	429.9	573.2
26	1.07	30	5.263	32	5.614	1088	30.9	64.9	100.5	139.1	185.5	1641	43.5	91.4	141.4	195.8	261.1
27	1.07	60	10.527	64	11.229	1088	64.7	135.9	210.2	291.1	388.1	1641	89.7	188.3	291.5	403.6	538.1
28	1.07	28	4.913	30	5.263	1083	28.6	60.1	93.1	128.9	171.8	1633	40.3	84.7	131.1	181.5	242.0
29	1.07	56	9.825	60	10.527	1083	60.3	126.5	195.8	271.1	361.5	1633	83.8	175.9	272.2	376.9	502.5
30	1.08	52	9.123	56	9.825	1077	55.8	117.2	181.3	251.1	334.7	1625	77.7	163.3	252.6	349.8	466.4
31	1.08	48	8.421	52	9.123	1071	51.3	107.8	166.8	230.9	307.9	1615	71.7	150.5	232.9	322.4	429.9
32	1.09	44	7.720	48	8.421	1063	46.8	98.3	152.1	210.6	280.8	1604	65.5	137.6	212.9	294.8	393.0
33	1.10	40	7.018	44	7.720	1055	42.3	88.8	137.4	190.3	253.7	1591	59.3	124.5	192.7	266.8	355.7
34	1.10	29	5.088	32	5.614	1051	29.8	62.5	96.8	134.0	178.7	1586	41.9	88.0	136.3	188.7	251.6
35	1.11	36	6.316	40	7.018	1044	37.8	79.3	122.7	169.9	226.5	1575	53.0	111.3	172.3	238.6	318.1
36	1.11	72	12.632	80	14.036	1044	77.9	163.5	253.0	350.3	467.1	1575	107.0	224.6	347.6	481.3	641.7
37	1.12	34	5.965	38	6.667	1038	35.5	74.5	115.3	159.6	212.9	1566	49.9	104.7	162.1	224.4	299.2
38	1.13	32	5.614	36	6.316	1031	33.2	69.7	107.9	149.4	199.2	1556	46.7	98.1	151.8	210.1	280.2
39	1.13	64	11.229	72	12.632	1031	69.1	145.1	224.6	311.0	414.6	1556	95.5	200.6	310.5	429.9	573.2
40	1.13	80	14.036	90	15.790	1031	86.5	181.6	281.1	389.2	518.9	1556	118.0	247.7	383.4	530.8	707.8
41	1.13	30	5.263	34	5.965	1024	30.9	64.9	100.5	139.1	185.5	1544	43.5	91.4	141.4	195.8	261.1
42	1.13	60	10.527	68	11.930	1024	64.7	135.9	210.2	291.1	388.1	1544	89.7	188.3	291.5	403.6	538.1
43	1.14	28	4.913	32	5.614	1015	28.6	60.1	93.1	128.9	171.8	1531	40.3	84.7	131.1	181.5	242.0
44	1.14	56	9.825	64	11.229	1015	60.3	126.5	195.8	271.1	361.5	1531	83.8	175.9	272.2	376.9	502.5
45	1.15	52	9.123	60	10.527	1005	55.8	117.2	181.3	251.1	334.7	1517	77.7	163.3	252.6	349.8	466.4
46	1.16	38	6.667	44	7.720	1002	40.0	84.0	130.1	180.1	240.1	1511	56.2	117.9	182.5	252.7	337.0
47	1.17	48	8.421	56	9.825	994	51.3	107.8	166.8	230.9	307.9	1500	71.7	150.5	232.9	322.4	429.9
48	1.17	29	5.088	34	5.965	989	29.8	62.5	96.8	134.0	178.7	1493	41.9	88.0	136.3	188.7	251.6
49	1.18	34	5.965	40	7.018	986	35.5	74.5	115.3	159.6	212.9	1488	49.9	104.7	162.1	224.4	299.2
50	1.18	68	11.930	80	14.036	986	73.5	154.3	238.9	330.7	441.0	1488	101.3	212.7	329.2	455.8	607.7
51	1.18	44	7.720	52	9.123	982	46.8	98.3	152.1	210.6	280.8	1481	65.5	137.6	212.9	294.8	393.0
Multiply Horsepower Listed by Length Correction Factor to Find Horsepower Rating -->																	

QT Power Chain Synchronous 14M

Drive Selection Tables

CENTER DISTANCE																		Line No.
BELT LENGTH - Length Correction Factor																		
966	1190	1400	1610	1778	1890	2100	2310	2450	2590	2800	3150	3360	3500	3850	4326	4578	4956	
0.80	0.80	0.90	0.90	0.95	0.95	1.00	1.00	1.00	1.05	1.05	1.05	1.10	1.10	1.10	1.10	1.10	1.10	
11.30	15.71	19.84	23.98	27.28	29.49	33.62	37.76	40.51	43.27	47.40	54.29	58.43	61.18	68.07	77.44	82.40	89.84	1
11.02	15.43	19.57	23.70	27.01	29.21	33.35	37.48	40.24	42.99	47.13	54.02	58.15	60.91	67.80	77.17	82.13	89.57	2
10.75	15.16	19.29	23.43	26.73	28.94	33.07	37.20	39.96	42.72	46.85	53.74	57.87	60.63	67.52	76.89	81.85	89.29	3
10.20	14.61	18.74	22.87	26.18	28.39	32.52	36.65	39.41	42.17	46.30	53.19	57.32	60.08	66.97	76.34	81.30	88.74	4
9.65	14.06	18.19	22.32	25.63	27.83	31.97	36.10	38.86	41.61	45.75	52.64	56.77	59.53	66.42	75.79	80.75	88.19	5
9.09	13.50	17.64	21.77	25.08	27.28	31.42	35.55	38.31	41.06	45.20	52.09	56.22	58.98	65.87	75.24	80.20	87.64	6
8.54	12.95	17.09	21.22	24.53	26.73	30.87	35.00	37.76	40.51	44.65	51.54	55.67	58.43	65.31	74.69	79.65	87.09	7
-	12.40	16.54	20.67	23.98	26.18	30.31	34.45	37.20	39.96	44.09	50.98	55.12	57.87	64.76	74.13	79.09	86.54	8
-	11.30	15.43	19.57	22.87	25.08	29.21	33.35	36.10	38.86	42.99	49.88	54.02	56.77	63.66	73.03	77.99	85.43	9
-	10.20	14.33	18.46	21.77	23.98	28.11	32.24	35.00	37.76	41.89	48.78	52.91	55.67	62.56	71.93	76.89	84.33	10
-	-	13.23	17.36	20.67	22.87	27.01	31.14	33.90	36.65	40.79	47.68	51.81	54.57	61.46	70.83	75.79	83.23	11
-	-	12.13	16.26	19.57	21.77	25.91	30.04	32.80	35.55	39.68	46.57	50.71	53.46	60.35	69.72	74.68	82.13	12
-	-	-	15.16	18.46	20.67	24.80	28.94	31.69	34.45	38.58	45.47	49.61	52.36	59.25	68.62	73.58	81.02	13
-	-	-	14.06	17.36	19.57	23.70	27.83	30.59	33.35	37.48	44.37	48.50	51.26	58.15	67.52	72.48	79.92	14
-	-	-	-	16.26	18.46	22.60	26.73	29.49	32.24	36.38	43.27	47.40	50.16	57.05	66.42	71.38	78.82	15
-	-	-	-	15.16	17.36	21.50	25.63	28.39	31.14	35.28	42.17	46.30	49.06	55.94	65.31	70.28	77.72	16
-	-	-	-	-	-	19.29	23.43	26.18	28.94	33.07	39.96	44.09	46.85	53.74	63.11	68.07	75.51	17
10.89	15.29	19.43	23.56	26.87	29.07	33.21	37.34	40.10	42.85	46.99	53.88	58.01	60.77	67.66	77.03	81.99	89.43	18
11.16	15.57	19.70	23.84	27.15	29.35	33.48	37.62	40.37	43.13	47.26	54.15	58.29	61.04	67.93	77.30	82.26	89.70	19
8.27	12.68	16.81	20.94	24.25	26.46	30.59	34.72	37.48	40.24	44.37	51.26	55.39	58.15	65.04	74.41	79.37	86.81	20
8.82	13.23	17.36	21.50	24.80	27.01	31.14	35.28	38.03	40.79	44.92	51.81	55.94	58.70	65.59	74.96	79.92	87.36	21
9.37	13.78	17.91	22.05	25.35	27.56	31.69	35.83	38.58	41.34	45.47	52.36	56.50	59.25	66.14	75.51	80.47	87.91	22
-	-	-	-	15.70	17.91	22.04	26.18	28.93	31.69	35.82	42.72	46.85	49.60	56.49	65.87	70.83	78.27	23
9.92	14.33	18.46	22.60	25.90	28.11	32.24	36.38	39.13	41.89	46.02	52.91	57.05	59.80	66.69	76.06	81.02	88.46	24
-	-	-	13.50	16.81	19.01	23.15	27.28	30.04	32.79	36.93	43.82	47.95	50.71	57.60	66.97	71.93	79.37	25
10.47	14.88	19.01	23.15	26.46	28.66	32.79	36.93	39.68	42.44	46.57	53.46	57.60	60.35	67.24	76.61	81.57	89.02	26
-	-	-	14.60	17.91	20.11	24.25	28.38	31.14	33.90	38.03	44.92	49.05	51.81	58.70	68.07	73.03	80.47	27
11.02	15.43	19.57	23.70	27.01	29.21	33.35	37.48	40.24	42.99	47.13	54.02	58.15	60.91	67.80	77.17	82.13	89.57	28
-	-	11.57	15.70	19.01	21.22	25.35	29.49	32.24	35.00	39.13	46.02	50.16	52.91	59.80	69.17	74.13	81.57	29
-	-	12.67	16.81	20.12	22.32	26.45	30.59	33.34	36.10	40.23	47.12	51.26	54.01	60.90	70.27	75.24	82.68	30
-	-	13.78	17.91	21.22	23.42	27.56	31.69	34.45	37.20	41.34	48.23	52.36	55.12	62.01	71.38	76.34	83.78	31
-	10.74	14.88	19.01	22.32	24.53	28.66	32.79	35.55	38.31	42.44	49.33	53.46	56.22	63.11	72.48	77.44	84.88	32
-	11.85	15.98	20.12	23.42	25.63	29.76	33.90	36.65	39.41	43.54	50.43	54.57	57.32	64.21	73.58	78.54	85.98	33
10.61	15.02	19.15	23.29	26.59	28.80	32.93	37.07	39.82	42.58	46.71	53.60	57.74	60.49	67.38	76.75	81.71	89.15	34
8.54	12.95	17.08	21.22	24.53	26.73	30.86	35.00	37.75	40.51	44.64	51.53	55.67	58.42	65.31	74.68	79.64	87.09	35
-	-	-	-	-	16.24	20.38	24.52	27.27	30.03	34.17	41.06	45.19	47.95	54.84	64.21	69.17	76.61	36
9.09	13.50	17.63	21.77	25.08	27.28	31.42	35.55	38.31	41.06	45.20	52.09	56.22	58.98	65.87	75.24	80.20	87.64	37
9.64	14.05	18.19	22.32	25.63	27.83	31.97	36.10	38.86	41.61	45.75	52.64	56.77	59.53	66.42	75.79	80.75	88.19	38
-	-	-	-	16.24	18.45	22.59	26.72	29.48	32.24	36.37	43.26	47.40	50.15	57.04	66.41	71.37	78.82	39
-	-	-	-	-	-	17.89	22.03	24.79	27.55	31.68	38.57	42.71	45.46	52.35	61.73	66.69	74.13	40
10.19	14.60	18.74	22.87	26.18	28.38	32.52	36.65	39.41	42.16	46.30	53.19	57.32	60.08	66.97	76.34	81.30	88.74	41
-	-	-	14.04	17.35	19.55	23.69	27.83	30.58	33.34	37.47	44.36	48.50	51.25	58.15	67.52	72.48	79.92	42
10.74	15.15	19.29	23.42	26.73	28.93	33.07	37.20	39.96	42.72	46.85	53.74	57.87	60.63	67.52	76.89	81.85	89.29	43
-	-	-	15.14	18.45	20.66	24.79	28.93	31.69	34.44	38.58	45.47	49.60	52.36	59.25	68.62	73.58	81.02	44
-	-	12.11	16.24	19.55	21.76	25.90	30.03	32.79	35.54	39.68	46.57	50.70	53.46	60.35	69.72	74.68	82.12	45
-	12.11	16.25	20.39	23.69	25.90	30.03	34.17	36.93	39.68	43.82	50.71	54.84	57.60	64.49	73.86	78.82	86.26	46
-	-	13.21	17.35	20.66	22.86	27.00	31.13	33.89	36.65	40.78	47.67	51.81	54.56	61.45	70.82	75.78	83.23	47
10.33	14.74	18.87	23.01	26.32	28.52	32.65	36.79	39.54	42.30	46.43	53.32	57.46	60.21	67.10	76.48	81.44	88.88	48
8.80	13.22	17.35	21.49	24.80	27.00	31.14	35.27	38.03	40.78	44.92	51.81	55.94	58.70	65.59	74.96	79.92	87.36	49
-	-	-	-	14.57	16.78	20.92	25.06	27.81	30.57	34.71	41.60	45.74	48.49	55.38	64.76	69.72	77.16	50
-	10.17	14.31	18.45	21.76	23.97	28.10	32.24	34.99	37.75	41.88	48.77	52.91	55.66	62.56	71.93	76.89	84.33	51
0.80	0.80	0.90	0.90	0.95	0.95	1.00	1.00	1.00	1.05	1.05	1.05	1.10	1.10	1.10	1.10	1.10	1.10	

QT Power Chain Synchronous 14M

Drive Selection Tables

Line No.	Drive Ratio	Sprocket Combination				1160 RPM DriveR					1750 RPM DriveR						
		DRIVER		DRIVEN		DN RPM	Horsepower					DN RPM	Horsepower				
		Teeth	PD (in)	Teeth	PD (in)		20MM	42MM	65MM	90MM	120MM		20MM	42MM	65MM	90MM	120MM
Multiply Horsepower Listed by Length Correction Factor to Find Horsepower Rating -->																	
52	1.19	32	5.614	38	6.667	977	33.2	69.7	107.9	149.4	199.2	1474	46.7	98.1	151.8	210.1	280.2
53	1.20	30	5.263	36	6.316	967	30.9	64.9	100.5	139.1	185.5	1458	43.5	91.4	141.4	195.8	261.1
54	1.20	40	7.018	48	8.421	967	42.3	88.8	137.4	190.3	253.7	1458	59.3	124.5	192.7	266.8	355.7
55	1.20	60	10.527	72	12.632	967	64.7	135.9	210.2	291.1	388.1	1458	89.7	188.3	291.5	403.6	538.1
56	1.21	28	4.913	34	5.965	955	28.6	60.1	93.1	128.9	171.8	1441	40.3	84.7	131.1	181.5	242.0
57	1.21	56	9.825	68	11.930	955	60.3	126.5	195.8	271.1	361.5	1441	83.8	175.9	272.2	376.9	502.5
58	1.22	36	6.316	44	7.720	949	37.8	79.3	122.7	169.9	226.5	1432	53.0	111.3	172.3	238.6	318.1
59	1.23	52	9.123	64	11.229	942	55.8	117.2	181.3	251.1	334.7	1422	77.7	163.3	252.6	349.8	466.4
60	1.24	29	5.088	36	6.316	934	29.8	62.5	96.8	134.0	178.7	1410	41.9	88.0	136.3	188.7	251.6
61	1.25	32	5.614	40	7.018	928	33.2	69.7	107.9	149.4	199.2	1400	46.7	98.1	151.8	210.1	280.2
62	1.25	48	8.421	60	10.527	928	51.3	107.8	166.8	230.9	307.9	1400	71.7	150.5	232.9	322.4	429.9
63	1.25	64	11.229	80	14.036	928	69.1	145.1	224.6	311.0	414.6	1400	95.5	200.6	310.5	429.9	573.2
64	1.25	72	12.632	90	15.790	928	77.9	163.5	253.0	350.3	467.1	1400	107.0	224.6	347.6	481.3	641.7
65	1.26	38	6.667	48	8.421	918	40.0	84.0	130.1	180.1	240.1	1385	56.2	117.9	182.5	252.7	337.0
66	1.27	30	5.263	38	6.667	916	30.9	64.9	100.5	139.1	185.5	1382	43.5	91.4	141.4	195.8	261.1
67	1.27	44	7.720	56	9.825	911	46.8	98.3	152.1	210.6	280.8	1375	65.5	137.6	212.9	294.8	393.0
68	1.29	28	4.913	36	6.316	902	28.6	60.1	93.1	128.9	171.8	1361	40.3	84.7	131.1	181.5	242.0
69	1.29	56	9.825	72	12.632	902	60.3	126.5	195.8	271.1	361.5	1361	83.8	175.9	272.2	376.9	502.5
70	1.29	34	5.965	44	7.720	896	35.5	74.5	115.3	159.6	212.9	1352	49.9	104.7	162.1	224.4	299.2
71	1.30	40	7.018	52	9.123	892	42.3	88.8	137.4	190.3	253.7	1346	59.3	124.5	192.7	266.8	355.7
72	1.31	52	9.123	68	11.930	887	55.8	117.2	181.3	251.1	334.7	1338	77.7	163.3	252.6	349.8	466.4
73	1.31	29	5.088	38	6.667	885	29.8	62.5	96.8	134.0	178.7	1336	41.9	88.0	136.3	188.7	251.6
74	1.32	68	11.930	90	15.790	876	73.5	154.3	238.9	330.7	441.0	1322	101.3	212.7	329.2	455.8	607.7
75	1.33	30	5.263	40	7.018	870	30.9	64.9	100.5	139.1	185.5	1312	43.5	91.4	141.4	195.8	261.1
76	1.33	36	6.316	48	8.421	870	37.8	79.3	122.7	169.9	226.5	1312	53.0	111.3	172.3	238.6	318.1
77	1.33	48	8.421	64	11.229	870	51.3	107.8	166.8	230.9	307.9	1312	71.7	150.5	232.9	322.4	429.9
78	1.33	60	10.527	80	14.036	870	64.7	135.9	210.2	291.1	388.1	1312	89.7	188.3	291.5	403.6	538.1
79	1.36	28	4.913	38	6.667	855	28.6	60.1	93.1	128.9	171.8	1289	40.3	84.7	131.1	181.5	242.0
80	1.36	44	7.720	60	10.527	851	46.8	98.3	152.1	210.6	280.8	1283	65.5	137.6	212.9	294.8	393.0
81	1.37	38	6.667	52	9.123	848	40.0	84.0	130.1	180.1	240.1	1279	56.2	117.9	182.5	252.7	337.0
82	1.38	32	5.614	44	7.720	844	33.2	69.7	107.9	149.4	199.2	1273	46.7	98.1	151.8	210.1	280.2
83	1.38	29	5.088	40	7.018	841	29.8	62.5	96.8	134.0	178.7	1269	41.9	88.0	136.3	188.7	251.6
84	1.38	52	9.123	72	12.632	838	55.8	117.2	181.3	251.1	334.7	1264	77.7	163.3	252.6	349.8	466.4
85	1.40	40	7.018	56	9.825	829	42.3	88.8	137.4	190.3	253.7	1250	59.3	124.5	192.7	266.8	355.7
86	1.40	80	14.036	112	19.650	829	86.5	181.6	281.1	389.2	518.9	1250	118.0	247.7	383.4	530.8	707.8
87	1.41	64	11.229	90	15.790	825	69.1	145.1	224.6	311.0	414.6	1244	95.5	200.6	310.5	429.9	573.2
88	1.41	34	5.965	48	8.421	822	35.5	74.5	115.3	159.6	212.9	1240	49.9	104.7	162.1	224.4	299.2
89	1.42	48	8.421	68	11.930	819	51.3	107.8	166.8	230.9	307.9	1235	71.7	150.5	232.9	322.4	429.9
90	1.43	28	4.913	40	7.018	812	28.6	60.1	93.1	128.9	171.8	1225	40.3	84.7	131.1	181.5	242.0
91	1.43	56	9.825	80	14.036	812	60.3	126.5	195.8	271.1	361.5	1225	83.8	175.9	272.2	376.9	502.5
92	1.44	36	6.316	52	9.123	803	37.8	79.3	122.7	169.9	226.5	1212	53.0	111.3	172.3	238.6	318.1
93	1.45	44	7.720	64	11.229	798	46.8	98.3	152.1	210.6	280.8	1203	65.5	137.6	212.9	294.8	393.0
94	1.47	30	5.263	44	7.720	791	30.9	64.9	100.5	139.1	185.5	1193	43.5	91.4	141.4	195.8	261.1
95	1.47	38	6.667	56	9.825	787	40.0	84.0	130.1	180.1	240.1	1188	56.2	117.9	182.5	252.7	337.0
96	1.50	32	5.614	48	8.421	773	33.2	69.7	107.9	149.4	199.2	1167	46.7	98.1	151.8	210.1	280.2
97	1.50	40	7.018	60	10.527	773	42.3	88.8	137.4	190.3	253.7	1167	59.3	124.5	192.7	266.8	355.7
98	1.50	48	8.421	72	12.632	773	51.3	107.8	166.8	230.9	307.9	1167	71.7	150.5	232.9	322.4	429.9
99	1.50	60	10.527	90	15.790	773	64.7	135.9	210.2	291.1	388.1	1167	89.7	188.3	291.5	403.6	538.1
100	1.52	29	5.088	44	7.720	765	29.8	62.5	96.8	134.0	178.7	1153	41.9	88.0	136.3	188.7	251.6
101	1.53	34	5.965	52	9.123	758	35.5	74.5	115.3	159.6	212.9	1144	49.9	104.7	162.1	224.4	299.2
102	1.54	52	9.123	80	14.036	754	55.8	117.2	181.3	251.1	334.7	1138	77.7	163.3	252.6	349.8	466.4
Multiply Horsepower Listed by Length Correction Factor to Find Horsepower Rating -->																	

QT Power Chain Synchronous 14M

Drive Selection Tables

CENTER DISTANCE																		Line No.
BELT LENGTH - Length Correction Factor																		
966	1190	1400	1610	1778	1890	2100	2310	2450	2590	2800	3150	3360	3500	3850	4326	4578	4956	
0.80	0.80	0.90	0.90	0.95	0.95	1.00	1.00	1.00	1.05	1.05	1.05	1.10	1.10	1.10	1.10	1.10	1.10	
9.36	13.77	17.91	22.04	25.35	27.55	31.69	35.82	38.58	41.34	45.47	52.36	56.49	59.25	66.14	75.51	80.47	87.91	52
9.91	14.32	18.46	22.59	25.90	28.11	32.24	36.37	39.13	41.89	46.02	52.91	57.04	59.80	66.69	76.06	81.02	88.46	53
-	11.28	15.42	19.55	22.86	25.07	29.20	33.34	36.10	38.85	42.99	49.88	54.01	56.77	63.66	73.03	77.99	85.43	54
-	-	-	13.46	16.78	18.99	23.13	27.26	30.02	32.78	36.91	43.81	47.94	50.70	57.59	66.96	71.92	79.36	55
10.46	14.87	19.01	23.14	26.45	28.66	32.79	36.93	39.68	42.44	46.57	53.46	57.60	60.35	67.24	76.61	81.57	89.01	56
-	-	-	14.57	17.88	20.09	24.23	28.37	31.12	33.88	38.02	44.91	49.04	51.80	58.69	68.06	73.02	80.47	57
-	12.38	16.52	20.66	23.97	26.17	30.31	34.44	37.20	39.95	44.09	50.98	55.11	57.87	64.76	74.13	79.09	86.53	58
-	-	11.53	15.67	18.99	21.19	25.33	29.47	32.23	34.98	39.12	46.01	50.15	52.90	59.79	69.17	74.13	81.57	59
10.04	14.46	18.59	22.73	26.04	28.24	32.38	36.51	39.27	42.02	46.16	53.05	57.18	59.94	66.83	76.20	81.16	88.60	60
9.07	13.49	17.62	21.76	25.07	27.27	31.41	35.54	38.30	41.06	45.19	52.08	56.22	58.97	65.86	75.23	80.19	87.63	61
-	-	12.63	16.78	20.09	22.30	26.44	30.57	33.33	36.09	40.22	47.11	51.25	54.01	60.90	70.27	75.23	82.67	62
-	-	-	-	15.09	17.31	21.45	25.59	28.35	31.11	35.25	42.14	46.28	49.03	55.93	65.30	70.26	77.70	63
-	-	-	-	-	-	18.95	23.10	25.86	28.62	32.76	39.65	43.79	46.55	53.44	62.81	67.78	75.22	64
-	11.54	15.68	19.82	23.13	25.34	29.48	33.61	36.37	39.12	43.26	50.15	54.28	57.04	63.93	73.30	78.26	85.70	65
9.62	14.04	18.18	22.31	25.62	27.83	31.96	36.10	38.85	41.61	45.74	52.63	56.77	59.52	66.41	75.78	80.74	88.19	66
-	-	13.74	17.88	21.19	23.40	27.54	31.68	34.43	37.19	41.33	48.22	52.35	55.11	62.00	71.37	76.33	83.77	67
10.17	14.59	18.73	22.86	26.17	28.38	32.51	36.65	39.40	42.16	46.29	53.18	57.32	60.07	66.96	76.34	81.30	88.74	68
-	-	-	13.98	17.31	19.52	23.66	27.80	30.56	33.32	37.45	44.35	48.48	51.24	58.13	67.51	72.47	79.91	69
8.22	12.65	16.79	20.93	24.24	26.44	30.58	34.71	37.47	40.23	44.36	51.25	55.39	58.14	65.03	74.40	79.37	86.81	70
-	10.70	14.84	18.99	22.30	24.50	28.64	32.78	35.54	38.29	42.43	49.32	53.45	56.21	63.10	72.47	77.43	84.88	71
-	-	-	15.09	18.41	20.62	24.76	28.90	31.66	34.42	38.56	45.45	49.59	52.34	59.24	68.61	73.57	81.01	72
9.75	14.17	18.31	22.45	25.76	27.96	32.10	36.23	38.99	41.74	45.88	52.77	56.90	59.66	66.55	75.92	80.88	88.32	73
-	-	-	-	-	15.31	19.47	23.62	26.39	29.15	33.29	40.19	44.33	47.09	53.98	63.36	68.32	75.76	74
9.33	13.75	17.89	22.03	25.34	27.55	31.68	35.82	38.57	41.33	45.46	52.35	56.49	59.25	66.14	75.51	80.47	87.91	75
-	11.80	15.95	20.09	23.40	25.61	29.75	33.88	36.64	39.40	43.53	50.42	54.56	57.31	64.20	73.58	78.54	85.98	76
-	-	12.04	16.20	19.52	21.73	25.87	30.01	32.77	35.52	39.66	46.55	50.69	53.45	60.34	69.71	74.67	82.11	77
-	-	-	-	15.61	17.83	21.98	26.12	28.88	31.64	35.78	42.68	46.82	49.58	56.47	65.84	70.80	78.25	78
9.88	14.30	18.44	22.58	25.89	28.10	32.23	36.37	39.12	41.88	46.02	52.91	57.04	59.80	66.69	76.06	81.02	88.46	79
-	-	13.15	17.31	20.62	22.83	26.97	31.11	33.87	36.63	40.76	47.66	51.79	54.55	61.44	70.81	75.77	83.22	80
-	10.95	15.11	19.25	22.56	24.77	28.91	33.05	35.81	38.56	42.70	49.59	53.73	56.48	63.37	72.75	77.71	85.15	81
8.48	12.91	17.05	21.19	24.50	26.71	30.85	34.98	37.74	40.50	44.63	51.52	55.66	58.42	65.31	74.68	79.64	87.08	82
9.46	13.88	18.03	22.16	25.47	27.68	31.82	35.95	38.71	41.47	45.60	52.49	56.63	59.38	66.27	75.64	80.60	88.05	83
-	-	-	14.50	17.83	20.04	24.19	28.33	31.09	33.85	37.99	44.89	49.02	51.78	58.67	68.05	73.01	80.45	84
-	10.10	14.26	18.41	21.73	23.94	28.08	32.21	34.97	37.73	41.87	48.76	52.89	55.65	62.54	71.92	76.88	84.32	85
-	-	-	-	-	-	-	18.81	21.59	24.37	28.52	35.44	39.59	42.35	49.25	58.63	63.60	71.05	86
-	-	-	-	-	15.82	19.99	24.14	26.91	29.68	33.82	40.72	44.86	47.62	54.52	63.90	68.86	76.30	87
-	12.06	16.21	20.36	23.67	25.88	30.01	34.15	36.91	39.67	43.80	50.69	54.83	57.59	64.48	73.85	78.81	86.25	88
-	-	11.44	15.61	18.93	21.15	25.29	29.44	32.20	34.96	39.09	45.99	50.13	52.88	59.78	69.15	74.11	81.56	89
9.59	14.02	18.16	22.30	25.61	27.81	31.95	36.09	38.84	41.60	45.74	52.63	56.76	59.52	66.41	75.78	80.74	88.18	90
-	-	-	-	16.12	18.34	22.50	26.65	29.41	32.18	36.32	43.22	47.35	50.11	57.01	66.38	71.35	78.79	91
-	11.21	15.37	19.52	22.83	25.04	29.18	33.32	36.08	38.83	42.97	49.86	54.00	56.75	63.65	73.02	77.98	85.42	92
-	-	12.55	16.72	20.04	22.25	26.40	30.54	33.30	36.06	40.20	47.09	51.23	53.99	60.88	70.25	75.22	82.66	93
8.73	13.17	17.32	21.46	24.77	26.98	31.12	35.25	38.01	40.77	44.90	51.80	55.93	58.69	65.58	74.95	79.91	87.35	94
-	10.35	14.52	18.67	21.99	24.20	28.34	32.48	35.24	38.00	42.14	49.03	53.17	55.92	62.81	72.19	77.15	84.59	95
-	12.32	16.48	20.62	23.94	26.14	30.28	34.42	37.18	39.94	44.07	50.96	55.10	57.86	64.75	74.12	79.08	86.52	96
-	-	13.67	17.83	21.15	23.36	27.50	31.64	34.40	37.16	41.30	48.20	52.33	55.09	61.98	71.36	76.32	83.76	97
-	-	-	15.01	18.34	20.56	24.71	28.86	31.62	34.38	38.53	45.42	49.56	52.32	59.21	68.59	73.55	81.00	98
-	-	-	-	-	16.32	20.50	24.66	27.43	30.20	34.35	41.25	45.40	48.16	55.06	64.43	69.40	76.84	99
8.86	13.30	17.45	21.59	24.91	27.11	31.25	35.39	38.15	40.90	45.04	51.93	56.07	58.82	65.72	75.09	80.05	87.49	100
-	11.47	15.63	19.78	23.10	25.31	29.45	33.58	36.34	39.10	43.24	50.13	54.27	57.03	63.92	73.29	78.25	85.69	101
-	-	-	13.28	16.63	18.86	23.02	27.17	29.94	32.70	36.85	43.75	47.89	50.65	57.55	66.92	71.89	79.33	102
0.80	0.80	0.90	0.90	0.95	0.95	1.00	1.00	1.00	1.05	1.05	1.05	1.10	1.10	1.10	1.10	1.10	1.10	

QT Power Chain Synchronous 14M

Drive Selection Tables

Line No.	Drive Ratio	Sprocket Combination				1160 RPM DriveR						1750 RPM DriveR					
		DRIVER		DRIVEN		DN RPM	Horsepower					DN RPM	Horsepower				
		Teeth	PD (in)	Teeth	PD (in)		20MM	42MM	65MM	90MM	120MM		20MM	42MM	65MM	90MM	120MM
Multiply Horsepower Listed by Length Correction Factor to Find Horsepower Rating -->																	
103	1.55	44	7.720	68	11.930	751	46.8	98.3	152.1	210.6	280.8	1132	65.5	137.6	212.9	294.8	393.0
104	1.56	36	6.316	56	9.825	746	37.8	79.3	122.7	169.9	226.5	1125	53.0	111.3	172.3	238.6	318.1
105	1.56	72	12.632	112	19.650	746	77.9	163.5	253.0	350.3	467.1	1125	107.0	224.6	347.6	481.3	641.7
106	1.57	28	4.913	44	7.720	738	28.6	60.1	93.1	128.9	171.8	1114	40.3	84.7	131.1	181.5	242.0
107	1.58	38	6.667	60	10.527	735	40.0	84.0	130.1	180.1	240.1	1108	56.2	117.9	182.5	252.7	337.0
108	1.60	30	5.263	48	8.421	725	30.9	64.9	100.5	139.1	185.5	1094	43.5	91.4	141.4	195.8	261.1
109	1.60	40	7.018	64	11.229	725	42.3	88.8	137.4	190.3	253.7	1094	59.3	124.5	192.7	266.8	355.7
110	1.61	56	9.825	90	15.790	722	60.3	126.5	195.8	271.1	361.5	1089	83.8	175.9	272.2	376.9	502.5
111	1.63	32	5.614	52	9.123	714	33.2	69.7	107.9	149.4	199.2	1077	46.7	98.1	151.8	210.1	280.2
112	1.64	44	7.720	72	12.632	709	46.8	98.3	152.1	210.6	280.8	1069	65.5	137.6	212.9	294.8	393.0
113	1.65	34	5.965	56	9.825	704	35.5	74.5	115.3	159.6	212.9	1062	49.9	104.7	162.1	224.4	299.2
114	1.65	68	11.930	112	19.650	704	73.5	154.3	238.9	330.7	441.0	1062	101.3	212.7	329.2	455.8	607.7
115	1.66	29	5.088	48	8.421	701	29.8	62.5	96.8	134.0	178.7	1057	41.9	88.0	136.3	188.7	251.6
116	1.67	36	6.316	60	10.527	696	37.8	79.3	122.7	169.9	226.5	1050	53.0	111.3	172.3	238.6	318.1
117	1.67	48	8.421	80	14.036	696	51.3	107.8	166.8	230.9	307.9	1050	71.7	150.5	232.9	322.4	429.9
118	1.68	38	6.667	64	11.229	689	40.0	84.0	130.1	180.1	240.1	1039	56.2	117.9	182.5	252.7	337.0
119	1.70	40	7.018	68	11.930	682	42.3	88.8	137.4	190.3	253.7	1029	59.3	124.5	192.7	266.8	355.7
120	1.71	28	4.913	48	8.421	677	28.6	60.1	93.1	128.9	171.8	1021	40.3	84.7	131.1	181.5	242.0
121	1.73	52	9.123	90	15.790	670	55.8	117.2	181.3	251.1	334.7	1011	77.7	163.3	252.6	349.8	466.4
122	1.73	30	5.263	52	9.123	669	30.9	64.9	100.5	139.1	185.5	1010	43.5	91.4	141.4	195.8	261.1
123	1.75	32	5.614	56	9.825	663	33.2	69.7	107.9	149.4	199.2	1000	46.7	98.1	151.8	210.1	280.2
124	1.75	64	11.229	112	19.650	663	69.1	145.1	224.6	311.0	414.6	1000	95.5	200.6	310.5	429.9	573.2
125	1.76	34	5.965	60	10.527	657	35.5	74.5	115.3	159.6	212.9	992	49.9	104.7	162.1	224.4	299.2
126	1.78	36	6.316	64	11.229	652	37.8	79.3	122.7	169.9	226.5	984	53.0	111.3	172.3	238.6	318.1
127	1.79	38	6.667	68	11.930	648	40.0	84.0	130.1	180.1	240.1	978	56.2	117.9	182.5	252.7	337.0
128	1.79	29	5.088	52	9.123	647	29.8	62.5	96.8	134.0	178.7	976	41.9	88.0	136.3	188.7	251.6
129	1.80	40	7.018	72	12.632	644	42.3	88.8	137.4	190.3	253.7	972	59.3	124.5	192.7	266.8	355.7
130	1.80	80	14.036	144	25.264	644	86.5	181.6	281.1	389.2	518.9	972	118.0	247.7	383.4	530.8	707.8
131	1.82	44	7.720	80	14.036	638	46.8	98.3	152.1	210.6	280.8	962	65.5	137.6	212.9	294.8	393.0
132	1.86	28	4.913	52	9.123	625	28.6	60.1	93.1	128.9	171.8	942	40.3	84.7	131.1	181.5	242.0
133	1.87	30	5.263	56	9.825	621	30.9	64.9	100.5	139.1	185.5	938	43.5	91.4	141.4	195.8	261.1
134	1.87	60	10.527	112	19.650	621	64.7	135.9	210.2	291.1	388.1	938	89.7	188.3	291.5	403.6	538.1
135	1.88	32	5.614	60	10.527	619	33.2	69.7	107.9	149.4	199.2	933	46.7	98.1	151.8	210.1	280.2
136	1.88	48	8.421	90	15.790	619	51.3	107.8	166.8	230.9	307.9	933	71.7	150.5	232.9	322.4	429.9
137	1.88	34	5.965	64	11.229	616	35.5	74.5	115.3	159.6	212.9	930	49.9	104.7	162.1	224.4	299.2
138	1.89	36	6.316	68	11.930	614	37.8	79.3	122.7	169.9	226.5	926	53.0	111.3	172.3	238.6	318.1
139	1.89	38	6.667	72	12.632	612	40.0	84.0	130.1	180.1	240.1	924	56.2	117.9	182.5	252.7	337.0
140	1.93	29	5.088	56	9.825	601	29.8	62.5	96.8	134.0	178.7	906	41.9	88.0	136.3	188.7	251.6
141	2.00	28	4.913	56	9.825	580	28.6	60.1	93.1	128.9	171.8	875	40.3	84.7	131.1	181.5	242.0
142	2.00	30	5.263	60	10.527	580	30.9	64.9	100.5	139.1	185.5	875	43.5	91.4	141.4	195.8	261.1
143	2.00	32	5.614	64	11.229	580	33.2	69.7	107.9	149.4	199.2	875	46.7	98.1	151.8	210.1	280.2
144	2.00	34	5.965	68	11.930	580	35.5	74.5	115.3	159.6	212.9	875	49.9	104.7	162.1	224.4	299.2
145	2.00	36	6.316	72	12.632	580	37.8	79.3	122.7	169.9	226.5	875	53.0	111.3	172.3	238.6	318.1
146	2.00	40	7.018	80	14.036	580	42.3	88.8	137.4	190.3	253.7	875	59.3	124.5	192.7	266.8	355.7
147	2.00	56	9.825	112	19.650	580	60.3	126.5	195.8	271.1	361.5	875	83.8	175.9	272.2	376.9	502.5
148	2.00	72	12.632	144	25.264	580	77.9	163.5	253.0	350.3	467.1	875	107.0	224.6	347.6	481.3	641.7
149	2.05	44	7.720	90	15.790	567	46.8	98.3	152.1	210.6	280.8	856	65.5	137.6	212.9	294.8	393.0
150	2.07	29	5.088	60	10.527	561	29.8	62.5	96.8	134.0	178.7	846	41.9	88.0	136.3	188.7	251.6
151	2.10	80	14.036	168	29.475	552	86.5	181.6	281.1	389.2	518.9	833	118.0	247.7	383.4	530.8	707.8
152	2.11	38	6.667	80	14.036	551	40.0	84.0	130.1	180.1	240.1	831	56.2	117.9	182.5	252.7	337.0
153	2.12	34	5.965	72	12.632	548	35.5	74.5	115.3	159.6	212.9	826	49.9	104.7	162.1	224.4	299.2
Multiply Horsepower Listed by Length Correction Factor to Find Horsepower Rating -->																	

QT Power Chain Synchronous 14M

Drive Selection Tables

CENTER DISTANCE																	Line No.
BELT LENGTH - Length Correction Factor																	
1190	1400	1610	1778	1890	2100	2310	2450	2590	2800	3150	3360	3500	3850	4326	4578	4956	
0.80	0.90	0.90	0.95	0.95	1.00	1.00	1.00	1.05	1.05	1.05	1.10	1.10	1.10	1.10	1.10	1.10	
-	11.94	16.12	19.45	21.67	25.82	29.97	32.73	35.49	39.63	46.53	50.66	53.42	60.32	69.69	74.66	82.10	103
10.60	14.78	18.93	22.25	24.46	28.61	32.75	35.51	38.27	42.40	49.30	53.44	56.19	63.09	72.46	77.42	84.86	104
-	-	-	-	-	-	19.81	22.60	25.39	29.56	36.48	40.64	43.40	50.31	59.70	64.67	72.12	105
13.43	17.58	21.73	25.04	27.25	31.39	35.52	38.28	41.04	45.18	52.07	56.20	58.96	65.85	75.22	80.18	87.63	106
9.73	13.92	18.09	21.41	23.62	27.77	31.91	34.67	37.43	41.57	48.47	52.60	55.36	62.25	71.63	76.59	84.03	107
12.58	16.74	20.89	24.20	26.41	30.55	34.69	37.45	40.21	44.34	51.24	55.37	58.13	65.02	74.39	79.35	86.80	108
-	13.06	17.23	20.56	22.78	26.93	31.07	33.83	36.59	40.73	47.63	51.77	54.53	61.42	70.80	75.76	83.20	109
-	-	-	14.58	16.82	21.01	25.18	27.95	30.72	34.87	41.78	45.93	48.69	55.59	64.97	69.94	77.38	110
11.72	15.89	20.04	23.36	25.57	29.71	33.85	36.61	39.37	43.51	50.40	54.54	57.30	64.19	73.56	78.52	85.97	111
-	11.31	15.51	18.86	21.08	25.23	29.39	32.15	34.91	39.06	45.96	50.10	52.86	59.75	69.13	74.09	81.54	112
10.85	15.03	19.19	22.52	24.73	28.87	33.01	35.77	38.53	42.67	49.57	53.71	56.46	63.36	72.73	77.69	85.14	113
-	-	-	-	-	-	20.30	23.10	25.89	30.07	37.00	41.16	43.92	50.84	60.23	65.20	72.65	114
12.71	16.87	21.02	24.33	26.54	30.68	34.82	37.58	40.34	44.48	51.37	55.51	58.26	65.16	74.53	79.49	86.93	115
9.97	14.17	18.34	21.67	23.88	28.03	32.18	34.94	37.70	41.84	48.73	52.87	55.63	62.52	71.90	76.86	84.30	116
-	-	13.77	17.13	19.36	23.53	27.69	30.46	33.23	37.37	44.28	48.42	51.18	58.08	67.46	72.43	79.87	117
-	13.31	17.49	20.82	23.04	27.19	31.33	34.10	36.86	41.00	47.90	52.04	54.80	61.69	71.07	76.03	83.47	118
-	12.43	16.63	19.97	22.19	26.34	30.49	33.26	36.02	40.16	47.06	51.20	53.96	60.86	70.23	75.20	82.64	119
12.83	17.00	21.15	24.46	26.67	30.82	34.96	37.72	40.47	44.61	51.51	55.64	58.40	65.29	74.66	79.63	87.07	120
-	-	-	15.06	17.32	21.51	25.69	28.47	31.24	35.39	42.31	46.46	49.22	56.12	65.51	70.47	77.92	121
11.97	16.14	20.30	23.62	25.83	29.98	34.12	36.88	39.64	43.78	50.67	54.81	57.57	64.46	73.83	78.80	86.24	122
11.10	15.29	19.45	22.78	24.99	29.14	33.28	36.04	38.80	42.94	49.84	53.97	56.73	63.63	73.00	77.96	85.41	123
-	-	-	-	-	-	20.79	23.60	26.40	30.58	37.52	41.68	44.45	51.36	60.76	65.73	73.19	124
10.22	14.43	18.60	21.93	24.14	28.29	32.44	35.20	37.96	42.10	49.00	53.14	55.90	62.79	72.17	77.13	84.58	125
-	13.56	17.74	21.08	23.30	27.45	31.60	34.36	37.12	41.27	48.17	52.30	55.06	61.96	71.34	76.30	83.74	126
-	12.68	16.88	20.22	22.44	26.60	30.75	33.52	36.28	40.43	47.33	51.47	54.23	61.12	70.50	75.47	82.91	127
12.10	16.27	20.43	23.75	25.96	30.11	34.25	37.01	39.77	43.91	50.81	54.94	57.70	64.59	73.97	78.93	86.37	128
-	11.79	16.01	19.36	21.59	25.75	29.91	32.67	35.44	39.59	46.49	50.63	53.39	60.29	69.67	74.63	82.08	129
-	-	-	-	-	-	-	-	-	23.58	30.63	34.82	37.61	44.57	54.00	58.98	66.46	130
-	-	14.26	17.63	19.87	24.04	28.21	30.98	33.75	37.90	44.81	48.95	51.71	58.62	68.00	72.96	80.41	131
12.22	16.40	20.56	23.88	26.10	30.24	34.38	37.15	39.91	44.04	50.94	55.08	57.84	64.73	74.10	79.07	86.51	132
11.35	15.54	19.71	23.04	25.25	29.40	33.54	36.31	39.07	43.21	50.11	54.24	57.00	63.90	73.27	78.23	85.68	133
-	-	-	-	-	17.03	21.28	24.10	26.90	31.08	38.03	42.19	44.97	51.89	61.29	66.26	73.72	134
10.46	14.68	18.86	22.19	24.40	28.56	32.70	35.47	38.23	42.37	49.27	53.41	56.17	63.06	72.44	77.40	84.85	135
-	-	-	15.55	17.81	22.01	26.20	28.98	31.75	35.91	42.83	46.98	49.75	56.65	66.04	71.01	78.46	136
-	13.80	18.00	21.33	23.55	27.71	31.86	34.62	37.39	41.53	48.43	52.57	55.33	62.23	71.61	76.57	84.01	137
-	12.92	17.13	20.48	22.70	26.86	31.01	33.78	36.55	40.69	47.59	51.73	54.49	61.39	70.77	75.74	83.18	138
-	12.03	16.26	19.62	21.84	26.01	30.17	32.94	35.70	39.85	46.76	50.90	53.66	60.56	69.94	74.90	82.35	139
11.47	15.67	19.84	23.17	25.38	29.53	33.68	36.44	39.20	43.34	50.24	54.38	57.14	64.03	73.41	78.37	85.81	140
11.59	15.79	19.97	23.30	25.51	29.66	33.81	36.57	39.33	43.47	50.37	54.51	57.27	64.17	73.54	78.50	85.95	141
10.70	14.93	19.11	22.44	24.66	28.82	32.97	35.73	38.49	42.64	49.54	53.68	56.43	63.33	72.71	77.67	85.12	142
9.79	14.05	18.25	21.59	23.81	27.97	32.12	34.89	37.65	41.80	48.70	52.84	55.60	62.50	71.87	76.84	84.28	143
-	13.17	17.38	20.73	22.96	27.12	31.28	34.04	36.81	40.95	47.86	52.00	54.76	61.66	71.04	76.00	83.45	144
-	12.27	16.51	19.87	22.10	26.27	30.43	33.20	35.96	40.11	47.02	51.16	53.92	60.82	70.20	75.17	82.62	145
-	-	14.74	18.12	20.37	24.55	28.72	31.50	34.27	38.42	45.34	49.48	52.24	59.15	68.53	73.50	80.95	146
-	-	-	-	-	17.50	21.77	24.59	27.39	31.59	38.55	42.71	45.48	52.41	61.81	66.79	74.25	147
-	-	-	-	-	-	-	-	20.23	24.54	31.61	35.82	38.62	45.59	55.03	60.02	67.50	148
-	-	-	16.03	18.30	22.51	26.70	29.49	32.27	36.43	43.36	47.51	50.27	57.18	66.57	71.54	78.99	149
10.82	15.05	19.24	22.57	24.79	28.95	33.10	35.86	38.62	42.77	49.67	53.81	56.57	63.47	72.84	77.81	85.25	150
-	-	-	-	-	-	-	-	-	-	26.72	31.01	33.84	40.89	50.39	55.41	62.91	151
-	-	14.98	18.37	20.62	24.81	28.98	31.75	34.53	38.68	45.60	49.75	52.51	59.41	68.80	73.77	81.22	152
-	12.51	16.75	20.12	22.35	26.52	30.69	33.46	36.22	40.37	47.28	51.43	54.19	61.09	70.47	75.44	82.89	153
0.80	0.90	0.90	0.95	0.95	1.00	1.00	1.00	1.05	1.05	1.05	1.10	1.10	1.10	1.10	1.10	1.10	

QT Power Chain Synchronous 14M

Drive Selection Tables

Line No.	Drive Ratio	Sprocket Combination				1160 RPM DriveR						1750 RPM DriveR					
		DRIVER		DRIVEN		DN RPM	Horsepower					DN RPM	Horsepower				
		Teeth	PD (in)	Teeth	PD (in)		20MM	42MM	65MM	90MM	120MM		20MM	42MM	65MM	90MM	120MM
Multiply Horsepower Listed by Length Correction Factor to Find Horsepower Rating →																	
154	2.12	68	11.930	144	25.264	548	73.5	154.3	238.9	330.7	441.0	826	101.3	212.7	329.2	455.8	607.7
155	2.13	32	5.614	68	11.930	546	33.2	69.7	107.9	149.4	199.2	824	46.7	98.1	151.8	210.1	280.2
156	2.13	30	5.263	64	11.229	544	30.9	64.9	100.5	139.1	185.5	820	43.5	91.4	141.4	195.8	261.1
157	2.14	28	4.913	60	10.527	541	28.6	60.1	93.1	128.9	171.8	817	40.3	84.7	131.1	181.5	242.0
158	2.15	52	9.123	112	19.650	539	55.8	117.2	181.3	251.1	334.7	812	77.7	163.3	252.6	349.8	466.4
159	2.21	29	5.088	64	11.229	526	29.8	62.5	96.8	134.0	178.7	793	41.9	88.0	136.3	188.7	251.6
160	2.22	36	6.316	80	14.036	522	37.8	79.3	122.7	169.9	226.5	788	53.0	111.3	172.3	238.6	318.1
161	2.25	32	5.614	72	12.632	516	33.2	69.7	107.9	149.4	199.2	778	46.7	98.1	151.8	210.1	280.2
162	2.25	40	7.018	90	15.790	516	42.3	88.8	137.4	190.3	253.7	778	59.3	124.5	192.7	266.8	355.7
163	2.25	64	11.229	144	25.264	516	69.1	145.1	224.6	311.0	414.6	778	95.5	200.6	310.5	429.9	573.2
164	2.27	30	5.263	68	11.930	512	30.9	64.9	100.5	139.1	185.5	772	43.5	91.4	141.4	195.8	261.1
165	2.29	28	4.913	64	11.229	508	28.6	60.1	93.1	128.9	171.8	766	40.3	84.7	131.1	181.5	242.0
166	2.33	48	8.421	112	19.650	497	51.3	107.8	166.8	230.9	307.9	750	71.7	150.5	232.9	322.4	429.9
167	2.33	72	12.632	168	29.475	497	77.9	163.5	253.0	350.3	467.1	750	107.0	224.6	347.6	481.3	641.7
168	2.34	29	5.088	68	11.930	495	29.8	62.5	96.8	134.0	178.7	746	41.9	88.0	136.3	188.7	251.6
169	2.35	34	5.965	80	14.036	493	35.5	74.5	115.3	159.6	212.9	744	49.9	104.7	162.1	224.4	299.2
170	2.37	38	6.667	90	15.790	490	40.0	84.0	130.1	180.1	240.1	739	56.2	117.9	182.5	252.7	337.0
171	2.40	30	5.263	72	12.632	483	30.9	64.9	100.5	139.1	185.5	729	43.5	91.4	141.4	195.8	261.1
172	2.40	60	10.527	144	25.264	483	64.7	135.9	210.2	291.1	388.1	729	89.7	188.3	291.5	403.6	538.1
173	2.40	80	14.036	192	33.686	483	86.5	181.6	281.1	389.2	518.9	729	118.0	247.7	383.4	530.8	707.8
174	2.43	28	4.913	68	11.930	478	28.6	60.1	93.1	128.9	171.8	721	40.3	84.7	131.1	181.5	242.0
175	2.47	68	11.930	168	29.475	470	73.5	154.3	238.9	330.7	441.0	708	101.3	212.7	329.2	455.8	607.7
176	2.48	29	5.088	72	12.632	467	29.8	62.5	96.8	134.0	178.7	705	41.9	88.0	136.3	188.7	251.6
177	2.50	32	5.614	80	14.036	464	33.2	69.7	107.9	149.4	199.2	700	46.7	98.1	151.8	210.1	280.2
178	2.50	36	6.316	90	15.790	464	37.8	79.3	122.7	169.9	226.5	700	53.0	111.3	172.3	238.6	318.1
179	2.55	44	7.720	112	19.650	456	46.8	98.3	152.1	210.6	280.8	688	65.5	137.6	212.9	294.8	393.0
180	2.57	28	4.913	72	12.632	451	28.6	60.1	93.1	128.9	171.8	681	40.3	84.7	131.1	181.5	242.0
181	2.57	56	9.825	144	25.264	451	60.3	126.5	195.8	271.1	361.5	681	83.8	175.9	272.2	376.9	502.5
182	2.63	64	11.229	168	29.475	442	69.1	145.1	224.6	311.0	414.6	667	95.5	200.6	310.5	429.9	573.2
183	2.65	34	5.965	90	15.790	438	35.5	74.5	115.3	159.6	212.9	661	49.9	104.7	162.1	224.4	299.2
184	2.67	30	5.263	80	14.036	435	30.9	64.9	100.5	139.1	185.5	656	43.5	91.4	141.4	195.8	261.1
185	2.67	72	12.632	192	33.686	435	77.9	163.5	253.0	350.3	467.1	656	107.0	224.6	347.6	481.3	641.7
186	2.70	80	14.036	216	37.896	430	86.5	181.6	281.1	389.2	518.9	648	118.0	247.7	383.4	530.8	707.8
187	2.76	29	5.088	80	14.036	420	29.8	62.5	96.8	134.0	178.7	634	41.9	88.0	136.3	188.7	251.6
188	2.77	52	9.123	144	25.264	419	55.8	117.2	181.3	251.1	334.7	632	77.7	163.3	252.6	349.8	466.4
189	2.80	40	7.018	112	19.650	414	42.3	88.8	137.4	190.3	253.7	625	59.3	124.5	192.7	266.8	355.7
190	2.80	60	10.527	168	29.475	414	64.7	135.9	210.2	291.1	388.1	625	89.7	188.3	291.5	403.6	538.1
191	2.81	32	5.614	90	15.790	412	33.2	69.7	107.9	149.4	199.2	622	46.7	98.1	151.8	210.1	280.2
192	2.82	68	11.930	192	33.686	411	73.5	154.3	238.9	330.7	441.0	620	101.3	212.7	329.2	455.8	607.7
193	2.86	28	4.913	80	14.036	406	28.6	60.1	93.1	128.9	171.8	612	40.3	84.7	131.1	181.5	242.0
194	2.95	38	6.667	112	19.650	394	40.0	84.0	130.1	180.1	240.1	594	56.2	117.9	182.5	252.7	337.0
195	3.00	30	5.263	90	15.790	387	30.9	64.9	100.5	139.1	185.5	583	43.5	91.4	141.4	195.8	261.1
196	3.00	48	8.421	144	25.264	387	51.3	107.8	166.8	230.9	307.9	583	71.7	150.5	232.9	322.4	429.9
197	3.00	56	9.825	168	29.475	387	60.3	126.5	195.8	271.1	361.5	583	83.8	175.9	272.2	376.9	502.5
198	3.00	64	11.229	192	33.686	387	69.1	145.1	224.6	311.0	414.6	583	95.5	200.6	310.5	429.9	573.2
199	3.00	72	12.632	216	37.896	387	77.9	163.5	253.0	350.3	467.1	583	107.0	224.6	347.6	481.3	641.7
200	3.10	29	5.088	90	15.790	374	29.8	62.5	96.8	134.0	178.7	564	41.9	88.0	136.3	188.7	251.6
201	3.11	36	6.316	112	19.650	373	37.8	79.3	122.7	169.9	226.5	562	53.0	111.3	172.3	238.6	318.1
202	3.18	68	11.930	216	37.896	365	73.5	154.3	238.9	330.7	441.0	551	101.3	212.7	329.2	455.8	607.7
203	3.20	60	10.527	192	33.686	362	64.7	135.9	210.2	291.1	388.1	547	89.7	188.3	291.5	403.6	538.1
204	3.21	28	4.913	90	15.790	361	28.6	60.1	93.1	128.9	171.8	544	40.3	84.7	131.1	181.5	242.0
Multiply Horsepower Listed by Length Correction Factor to Find Horsepower Rating →																	

QT Power Chain Synchronous 14M

Drive Selection Tables

CENTER DISTANCE																Line No.
BELT LENGTH - Length Correction Factor																
1400	1610	1778	1890	2100	2310	2450	2590	2800	3150	3360	3500	3850	4326	4578	4956	
0.90	0.90	0.95	0.95	1.00	1.00	1.00	1.05	1.05	1.05	1.10	1.10	1.10	1.10	1.10	1.10	
-	-	-	-	-	-	-	20.70	25.02	32.10	36.32	39.12	46.09	55.54	60.54	68.02	154
13.41	17.63	20.98	23.21	27.38	31.53	34.30	37.07	41.22	48.12	52.27	55.03	61.93	71.31	76.27	83.72	155
14.30	18.50	21.84	24.07	28.23	32.38	35.15	37.91	42.06	48.96	53.11	55.87	62.76	72.14	77.11	84.55	156
15.17	19.36	22.70	24.92	29.08	33.23	35.99	38.76	42.90	49.80	53.94	56.70	63.60	72.98	77.94	85.39	157
-	-	-	-	17.97	22.25	25.08	27.89	32.09	39.05	43.22	46.00	52.93	62.34	67.31	74.78	158
14.42	18.62	21.97	24.19	28.36	32.51	35.28	38.05	42.19	49.10	53.24	56.00	62.90	72.28	77.24	84.69	159
-	15.22	18.62	20.86	25.06	29.23	32.01	34.79	38.94	45.86	50.01	52.77	59.68	69.07	74.03	81.48	160
12.75	17.00	20.37	22.60	26.78	30.94	33.71	36.48	40.64	47.55	51.69	54.45	61.36	70.74	75.71	83.15	161
-	13.04	16.50	18.78	23.01	27.21	29.99	32.78	36.94	43.88	48.03	50.79	57.71	67.10	72.07	79.52	162
-	-	-	-	-	-	-	21.16	25.49	32.59	36.81	39.61	46.60	56.06	61.05	68.54	163
13.65	17.88	21.23	23.46	27.63	31.79	34.56	37.33	41.48	48.39	52.53	55.29	62.19	71.58	76.54	83.99	164
14.54	18.75	22.10	24.32	28.49	32.64	35.41	38.18	42.32	49.23	53.37	56.13	63.03	72.41	77.38	84.82	165
-	-	-	-	18.44	22.73	25.56	28.38	32.59	39.56	43.73	46.51	53.45	62.86	67.84	75.30	166
-	-	-	-	-	-	-	-	-	27.65	31.96	34.81	41.87	51.40	56.42	63.93	167
13.77	18.00	21.36	23.59	27.76	31.92	34.69	37.46	41.61	48.52	52.66	55.43	62.33	71.71	76.68	84.12	168
-	15.46	18.86	21.11	25.31	29.49	32.27	35.04	39.20	46.12	50.27	53.04	59.94	69.33	74.30	81.75	169
-	13.27	16.74	19.02	23.25	27.46	30.25	33.03	37.20	44.13	48.29	51.06	57.97	67.37	72.34	79.79	170
12.98	17.24	20.62	22.85	27.03	31.20	33.97	36.74	40.90	47.81	51.96	54.72	61.62	71.01	75.97	83.42	171
-	-	-	-	-	-	-	21.62	25.96	33.08	37.30	40.11	47.10	56.57	61.57	69.06	172
-	-	-	-	-	-	-	-	-	-	26.86	29.80	37.00	46.64	51.70	59.26	173
13.89	18.12	21.49	23.72	27.89	32.05	34.82	37.59	41.74	48.65	52.80	55.56	62.46	71.84	76.81	84.26	174
-	-	-	-	-	-	-	-	-	28.12	32.44	35.29	42.36	51.90	56.92	64.44	175
13.10	17.37	20.74	22.98	27.16	31.33	34.10	36.87	41.03	47.94	52.09	54.85	61.75	71.14	76.11	83.56	176
11.34	15.69	19.10	21.36	25.56	29.74	32.52	35.30	39.46	46.38	50.53	53.30	60.21	69.60	74.57	82.02	177
-	13.50	16.98	19.26	23.50	27.71	30.50	33.28	37.46	44.39	48.55	51.32	58.23	67.63	72.60	80.06	178
-	-	-	-	18.90	23.21	26.05	28.87	33.08	40.07	44.24	47.02	53.96	63.38	68.36	75.83	179
13.22	17.49	20.86	23.10	27.29	31.46	34.23	37.00	41.16	48.07	52.22	54.98	61.89	71.27	76.24	83.69	180
-	-	-	-	-	-	19.11	22.08	26.43	33.56	37.79	40.60	47.60	57.08	62.08	69.57	181
-	-	-	-	-	-	-	-	-	28.58	32.91	35.77	42.85	52.39	57.42	64.95	182
-	13.73	17.21	19.50	23.74	27.95	30.75	33.54	37.71	44.65	48.81	51.58	58.49	67.89	72.87	80.32	183
11.57	15.93	19.35	21.60	25.81	29.99	32.78	35.56	39.72	46.64	50.79	53.56	60.47	69.86	74.83	82.28	184
-	-	-	-	-	-	-	-	-	-	27.77	30.72	37.95	47.62	52.69	60.26	185
-	-	-	-	-	-	-	-	-	-	-	-	32.83	42.70	47.84	55.49	186
11.68	16.05	19.47	21.72	25.93	30.12	32.90	35.68	39.85	46.77	50.93	53.69	60.60	69.99	74.96	82.42	187
-	-	-	-	-	-	19.55	22.53	26.90	34.04	38.28	41.10	48.10	57.58	62.59	70.09	188
-	-	-	14.92	19.36	23.69	26.53	29.36	33.58	40.57	44.75	47.53	54.48	63.90	68.88	76.35	189
-	-	-	-	-	-	-	-	21.63	29.05	33.38	36.24	43.33	52.89	57.93	65.46	190
-	13.95	17.45	19.74	23.99	28.20	31.00	33.79	37.97	44.91	49.07	51.84	58.76	68.16	73.13	80.59	191
-	-	-	-	-	-	-	-	-	-	28.22	31.17	38.42	48.10	53.18	60.76	192
11.80	16.17	19.59	21.85	26.06	30.25	33.03	35.81	39.98	46.90	51.06	53.82	60.73	70.13	75.10	82.55	193
-	-	-	15.14	19.59	23.92	26.77	29.60	33.83	40.82	45.00	47.79	54.73	64.16	69.14	76.61	194
-	14.18	17.68	19.98	24.23	28.45	31.25	34.04	38.22	45.17	49.33	52.10	59.02	68.42	73.39	80.85	195
-	-	-	-	-	-	20.00	22.98	27.37	34.52	38.77	41.59	48.60	58.09	63.10	70.60	196
-	-	-	-	-	-	-	-	22.06	29.51	33.85	36.72	43.82	53.39	58.43	65.96	197
-	-	-	-	-	-	-	-	-	24.12	28.67	31.63	38.89	48.58	53.67	61.25	198
-	-	-	-	-	-	-	-	-	-	-	-	33.74	43.64	48.80	56.46	199
-	14.29	17.80	20.09	24.35	28.57	31.37	34.17	38.35	45.29	49.45	52.23	59.15	68.55	73.53	80.98	200
-	-	-	15.36	19.82	24.16	27.01	29.85	34.07	41.07	45.26	48.04	54.99	64.42	69.40	76.88	201
-	-	-	-	-	-	-	-	-	-	-	26.59	34.19	44.11	49.27	56.95	202
-	-	-	-	-	-	-	-	-	24.55	29.11	32.08	39.36	49.07	54.16	61.75	203
-	14.41	17.91	20.21	24.47	28.70	31.50	34.29	38.47	45.42	49.58	52.36	59.28	68.68	73.66	81.12	204
0.90	0.90	0.95	0.95	1.00	1.00	1.00	1.05	1.05	1.05	1.10	1.10	1.10	1.10	1.10	1.10	

QT Power Chain Synchronous 14M

Drive Selection Tables

Line No.	Drive Ratio	Sprocket Combination				1160 RPM DriveR						1750 RPM DriveR					
		DRIVER		DRIVEN		DN RPM	Horsepower					DN RPM	Horsepower				
		Teeth	PD (in)	Teeth	PD (in)		20MM	42MM	65MM	90MM	120MM		20MM	42MM	65MM	90MM	120MM
Multiply Horsepower Listed by Length Correction Factor to Find Horsepower Rating →																	
205	3.23	52	9.123	168	29.475	359	55.8	117.2	181.3	251.1	334.7	542	77.7	163.3	252.6	349.8	466.4
206	3.27	44	7.720	144	25.264	354	46.8	98.3	152.1	210.6	280.8	535	65.5	137.6	212.9	294.8	393.0
207	3.29	34	5.965	112	19.650	352	35.5	74.5	115.3	159.6	212.9	531	49.9	104.7	162.1	224.4	299.2
208	3.38	64	11.229	216	37.896	344	69.1	145.1	224.6	311.0	414.6	519	95.5	200.6	310.5	429.9	573.2
209	3.43	56	9.825	192	33.686	338	60.3	126.5	195.8	271.1	361.5	510	83.8	175.9	272.2	376.9	502.5
210	3.50	32	5.614	112	19.650	331	33.2	69.7	107.9	149.4	199.2	500	46.7	98.1	151.8	210.1	280.2
211	3.50	48	8.421	168	29.475	331	51.3	107.8	166.8	230.9	307.9	500	71.7	150.5	232.9	322.4	429.9
212	3.60	40	7.018	144	25.264	322	42.3	88.8	137.4	190.3	253.7	486	59.3	124.5	192.7	266.8	355.7
213	3.60	60	10.527	216	37.896	322	64.7	135.9	210.2	291.1	388.1	486	89.7	188.3	291.5	403.6	538.1
214	3.69	52	9.123	192	33.686	314	55.8	117.2	181.3	251.1	334.7	474	77.7	163.3	252.6	349.8	466.4
215	3.73	30	5.263	112	19.650	311	30.9	64.9	100.5	139.1	185.5	469	43.5	91.4	141.4	195.8	261.1
216	3.79	38	6.667	144	25.264	306	40.0	84.0	130.1	180.1	240.1	462	56.2	117.9	182.5	252.7	337.0
217	3.82	44	7.720	168	29.475	304	46.8	98.3	152.1	210.6	280.8	458	65.5	137.6	212.9	294.8	393.0
218	3.86	56	9.825	216	37.896	301	60.3	126.5	195.8	271.1	361.5	454	83.8	175.9	272.2	376.9	502.5
219	3.86	29	5.088	112	19.650	300	29.8	62.5	96.8	134.0	178.7	453	41.9	88.0	136.3	188.7	251.6
220	4.00	28	4.913	112	19.650	290	28.6	60.1	93.1	128.9	171.8	438	40.3	84.7	131.1	181.5	242.0
221	4.00	36	6.316	144	25.264	290	37.8	79.3	122.7	169.9	226.5	438	53.0	111.3	172.3	238.6	318.1
222	4.00	48	8.421	192	33.686	290	51.3	107.8	166.8	230.9	307.9	438	71.7	150.5	232.9	322.4	429.9
223	4.15	52	9.123	216	37.896	279	55.8	117.2	181.3	251.1	334.7	421	77.7	163.3	252.6	349.8	466.4
224	4.20	40	7.018	168	29.475	276	42.3	88.8	137.4	190.3	253.7	417	59.3	124.5	192.7	266.8	355.7
225	4.24	34	5.965	144	25.264	274	35.5	74.5	115.3	159.6	212.9	413	49.9	104.7	162.1	224.4	299.2
226	4.36	44	7.720	192	33.686	266	46.8	98.3	152.1	210.6	280.8	401	65.5	137.6	212.9	294.8	393.0
227	4.42	38	6.667	168	29.475	262	40.0	84.0	130.1	180.1	240.1	396	56.2	117.9	182.5	252.7	337.0
228	4.50	32	5.614	144	25.264	258	33.2	69.7	107.9	149.4	199.2	389	46.7	98.1	151.8	210.1	280.2
229	4.50	48	8.421	216	37.896	258	51.3	107.8	166.8	230.9	307.9	389	71.7	150.5	232.9	322.4	429.9
230	4.67	36	6.316	168	29.475	249	37.8	79.3	122.7	169.9	226.5	375	53.0	111.3	172.3	238.6	318.1
231	4.80	30	5.263	144	25.264	242	30.9	64.9	100.5	139.1	185.5	365	43.5	91.4	141.4	195.8	261.1
232	4.80	40	7.018	192	33.686	242	42.3	88.8	137.4	190.3	253.7	365	59.3	124.5	192.7	266.8	355.7
233	4.91	44	7.720	216	37.896	236	46.8	98.3	152.1	210.6	280.8	356	65.5	137.6	212.9	294.8	393.0
234	4.94	34	5.965	168	29.475	235	35.5	74.5	115.3	159.6	212.9	354	49.9	104.7	162.1	224.4	299.2
235	4.97	29	5.088	144	25.264	234	29.8	62.5	96.8	134.0	178.7	352	41.9	88.0	136.3	188.7	251.6
236	5.05	38	6.667	192	33.686	230	40.0	84.0	130.1	180.1	240.1	346	56.2	117.9	182.5	252.7	337.0
237	5.14	28	4.913	144	25.264	226	28.6	60.1	93.1	128.9	171.8	340	40.3	84.7	131.1	181.5	242.0
238	5.25	32	5.614	168	29.475	221	33.2	69.7	107.9	149.4	199.2	333	46.7	98.1	151.8	210.1	280.2
239	5.33	36	6.316	192	33.686	218	37.8	79.3	122.7	169.9	226.5	328	53.0	111.3	172.3	238.6	318.1
240	5.40	40	7.018	216	37.896	215	42.3	88.8	137.4	190.3	253.7	324	59.3	124.5	192.7	266.8	355.7
241	5.60	30	5.263	168	29.475	207	30.9	64.9	100.5	139.1	185.5	312	43.5	91.4	141.4	195.8	261.1
242	5.65	34	5.965	192	33.686	205	35.5	74.5	115.3	159.6	212.9	310	49.9	104.7	162.1	224.4	299.2
243	5.68	38	6.667	216	37.896	204	40.0	84.0	130.1	180.1	240.1	308	56.2	117.9	182.5	252.7	337.0
244	5.79	29	5.088	168	29.475	200	29.8	62.5	96.8	134.0	178.7	302	41.9	88.0	136.3	188.7	251.6
245	6.00	28	4.913	168	29.475	193	28.6	60.1	93.1	128.9	171.8	292	40.3	84.7	131.1	181.5	242.0
246	6.00	32	5.614	192	33.686	193	33.2	69.7	107.9	149.4	199.2	292	46.7	98.1	151.8	210.1	280.2
247	6.00	36	6.316	216	37.896	193	37.8	79.3	122.7	169.9	226.5	292	53.0	111.3	172.3	238.6	318.1
248	6.35	34	5.965	216	37.896	183	35.5	74.5	115.3	159.6	212.9	275	49.9	104.7	162.1	224.4	299.2
249	6.40	30	5.263	192	33.686	181	30.9	64.9	100.5	139.1	185.5	273	43.5	91.4	141.4	195.8	261.1
250	6.62	29	5.088	192	33.686	175	29.8	62.5	96.8	134.0	178.7	264	41.9	88.0	136.3	188.7	251.6
251	6.75	32	5.614	216	37.896	172	33.2	69.7	107.9	149.4	199.2	259	46.7	98.1	151.8	210.1	280.2
252	6.86	28	4.913	192	33.686	169	28.6	60.1	93.1	128.9	171.8	255	40.3	84.7	131.1	181.5	242.0
253	7.20	30	5.263	216	37.896	161	30.9	64.9	100.5	139.1	185.5	243	43.5	91.4	141.4	195.8	261.1
254	7.45	29	5.088	216	37.896	156	29.8	62.5	96.8	134.0	178.7	235	41.9	88.0	136.3	188.7	251.6
255	7.71	28	4.913	216	37.896	150	28.6	60.1	93.1	128.9	171.8	227	40.3	84.7	131.1	181.5	242.0
Multiply Horsepower Listed by Length Correction Factor to Find Horsepower Rating →																	

QT Power Chain Synchronous 14M

Drive Selection Tables

CENTER DISTANCE														Line No.
BELT LENGTH - Length Correction Factor														
1778	1890	2100	2310	2450	2590	2800	3150	3360	3500	3850	4326	4578	4956	
0.95	0.95	1.00	1.00	1.00	1.05	1.05	1.05	1.10	1.10	1.10	1.10	1.10	1.10	
-	-	-	-	-	-	22.50	29.96	34.32	37.19	44.30	53.88	58.92	66.47	205
-	-	-	-	20.44	23.44	27.83	35.00	39.26	42.08	49.10	58.60	63.61	71.11	206
-	15.58	20.05	24.39	27.25	30.09	34.32	41.32	45.51	48.29	55.25	64.68	69.66	77.14	207
-	-	-	-	-	-	-	-	-	27.03	34.64	44.58	49.75	57.43	208
-	-	-	-	-	-	-	24.99	29.56	32.54	39.83	49.55	54.64	62.24	209
-	15.80	20.28	24.63	27.49	30.33	34.56	41.57	45.76	48.55	55.50	64.94	69.92	77.40	210
-	-	-	-	-	-	22.94	30.42	34.79	37.66	44.79	54.37	59.42	66.97	211
-	-	-	17.78	20.88	23.89	28.29	35.48	39.74	42.57	49.59	59.10	64.11	71.62	212
-	-	-	-	-	-	-	-	-	27.46	35.09	45.05	50.22	57.91	213
-	-	-	-	-	-	-	25.42	30.01	32.99	40.29	50.03	55.13	62.73	214
-	16.02	20.51	24.86	27.73	30.57	34.81	41.82	46.01	48.80	55.76	65.19	70.18	77.66	215
-	-	-	17.99	21.10	24.11	28.52	35.72	39.98	42.81	49.84	59.35	64.37	71.88	216
-	-	-	-	-	-	23.37	30.88	35.25	38.13	45.27	54.87	59.92	67.47	217
-	-	-	-	-	-	-	-	-	27.88	35.54	45.51	50.69	58.39	218
13.63	16.13	20.62	24.98	27.85	30.69	34.93	41.95	46.14	48.93	55.88	65.32	70.31	77.79	219
13.73	16.24	20.74	25.10	27.97	30.81	35.05	42.07	46.26	49.05	56.01	65.45	70.44	77.92	220
-	-	-	18.20	21.32	24.34	28.75	35.96	40.22	43.05	50.09	59.60	64.62	72.13	221
-	-	-	-	-	-	-	25.85	30.45	33.44	40.76	50.51	55.61	63.23	222
-	-	-	-	-	-	-	-	25.09	28.31	35.98	45.98	51.17	58.87	223
-	-	-	-	-	-	23.81	31.33	35.72	38.60	45.75	55.36	60.41	67.97	224
-	-	-	18.42	21.54	24.56	28.98	36.19	40.46	43.29	50.33	59.85	64.87	72.39	225
-	-	-	-	-	-	-	26.28	30.89	33.89	41.22	50.98	56.10	63.72	226
-	-	-	-	-	19.21	24.03	31.56	35.95	38.84	45.99	55.60	60.66	68.22	227
-	-	-	18.63	21.76	24.78	29.21	36.43	40.70	43.54	50.58	60.10	65.12	72.64	228
-	-	-	-	-	-	-	-	25.51	28.74	36.43	46.44	51.64	59.35	229
-	-	-	-	-	19.42	24.24	31.79	36.18	39.07	46.23	55.85	60.91	68.47	230
-	-	-	18.84	21.98	25.01	29.44	36.67	40.94	43.78	50.83	60.35	65.38	72.90	231
-	-	-	-	-	-	-	26.71	31.34	34.34	41.69	51.46	56.58	64.21	232
-	-	-	-	-	-	-	-	25.92	29.17	36.87	46.90	52.11	59.83	233
-	-	-	-	-	19.63	24.46	32.02	36.41	39.31	46.47	56.09	61.15	68.72	234
-	-	-	18.95	22.09	25.12	29.56	36.79	41.06	43.90	50.95	60.48	65.50	73.02	235
-	-	-	-	-	-	-	26.93	31.56	34.56	41.92	51.70	56.82	64.45	236
-	-	-	19.05	22.19	25.23	29.67	36.90	41.18	44.02	51.07	60.60	65.63	73.15	237
-	-	-	-	-	19.84	24.67	32.24	36.64	39.54	46.70	56.34	61.40	68.97	238
-	-	-	-	-	-	-	27.14	31.78	34.79	42.15	51.94	57.06	64.69	239
-	-	-	-	-	-	-	-	26.34	29.59	37.32	47.37	52.58	60.31	240
-	-	-	-	-	20.05	24.89	32.47	36.87	39.77	46.94	56.58	61.65	69.22	241
-	-	-	-	-	-	-	27.35	32.00	35.01	42.38	52.17	57.30	64.94	242
-	-	-	-	-	-	-	-	26.55	29.81	37.54	47.60	52.81	60.55	243
-	-	-	-	-	20.15	25.00	32.58	36.99	39.89	47.06	56.70	61.77	69.34	244
-	-	-	-	-	20.25	25.11	32.69	37.10	40.00	47.18	56.82	61.89	69.47	245
-	-	-	-	-	-	-	27.57	32.22	35.24	42.61	52.41	57.54	65.18	246
-	-	-	-	-	-	-	-	26.76	30.02	37.76	47.83	53.04	60.78	247
-	-	-	-	-	-	-	-	26.97	30.23	37.98	48.06	53.28	61.02	248
-	-	-	-	-	-	-	27.78	32.44	35.46	42.84	52.65	57.78	65.42	249
-	-	-	-	-	-	-	27.89	32.55	35.57	42.95	52.77	57.90	65.55	250
-	-	-	-	-	-	-	-	27.17	30.45	38.20	48.29	53.51	61.26	251
-	-	-	-	-	-	-	28.00	32.66	35.68	43.07	52.89	58.02	65.67	252
-	-	-	-	-	-	-	-	27.38	30.66	38.43	48.52	53.74	61.50	253
-	-	-	-	-	-	-	-	27.49	30.76	38.54	48.63	53.86	61.62	254
-	-	-	-	-	-	-	-	27.59	30.87	38.65	48.75	53.98	61.73	255
0.95	0.95	1.00	1.00	1.00	1.05	1.05	1.05	1.10	1.10	1.10	1.10	1.10	1.10	

QT Power Chain Horsepower Ratings 8M

12MM WIDE

The following tables represent the horsepower ratings for each belt at the pre-determined No. of Teeth, Pitch Diameters and RPMs. These ratings must be multiplied by the applicable belt length factor to obtain corrected HP rating.

Smallest Sprocket RPM	No Teeth	22	24	26	28	30	32	34	36	38	40	44	48	56	64	72	80
	PD (in.)	2.206	2.406	2.607	2.807	3.008	3.208	3.409	3.609	3.81	4.01	4.411	4.812	5.614	6.416	7.218	8.02
1160	3.98	4.47	4.96	5.46	5.95	6.45	6.94	7.43	7.93	8.42	9.4	10.38	12.35	14.3	16.25	18.19	
1460	4.83	5.43	6.03	6.63	7.22	7.82	8.42	9.02	9.61	10.21	11.4	12.59	14.96	17.31	19.66	21.98	
1750	5.63	6.33	7.03	7.72	8.42	9.12	9.81	10.51	11.2	11.89	13.28	14.66	17.4	20.12	22.82	25.49	
2900	8.69	9.77	10.84	11.9	12.97	14.03	15.09	16.14	17.19	18.24	20.32	22.38	26.43	30.39	34.24	37.96	
3500	10.24	11.5	12.76	14.01	15.25	16.49	17.72	18.95	20.17	21.38	23.78	26.15	30.77	35.22	-	-	
10	0.06	0.07	0.07	0.08	0.09	0.1	0.1	0.11	0.12	0.12	0.14	0.15	0.18	0.21	0.24	0.27	
20	0.1	0.12	0.13	0.14	0.16	0.17	0.18	0.2	0.21	0.22	0.25	0.27	0.33	0.38	0.43	0.48	
40	0.2	0.22	0.25	0.27	0.29	0.32	0.34	0.37	0.39	0.42	0.47	0.52	0.61	0.71	0.81	0.91	
60	0.29	0.32	0.36	0.39	0.43	0.47	0.5	0.54	0.57	0.61	0.68	0.75	0.89	1.04	1.18	1.32	
100	0.46	0.52	0.58	0.63	0.69	0.75	0.81	0.86	0.92	0.98	1.09	1.21	1.44	1.67	1.9	2.13	
200	0.87	0.98	1.09	1.2	1.3	1.41	1.52	1.63	1.74	1.85	2.06	2.28	2.71	3.15	3.58	4.01	
300	1.25	1.41	1.56	1.72	1.87	2.03	2.19	2.34	2.5	2.65	2.96	3.28	3.9	4.52	5.14	5.77	
400	1.61	1.81	2.01	2.21	2.41	2.61	2.81	3.01	3.21	3.41	3.81	4.21	5.01	5.81	6.61	7.41	
500	1.95	2.19	2.44	2.68	2.92	3.17	3.41	3.65	3.89	4.14	4.62	5.11	6.08	7.04	8.01	8.98	
600	2.28	2.56	2.85	3.13	3.41	3.7	3.98	4.26	4.55	4.83	5.4	5.96	7.1	8.23	9.36	10.49	
800	2.91	3.27	3.63	3.99	4.36	4.72	5.08	5.44	5.8	6.16	6.88	7.61	9.05	10.49	11.92	13.36	
1000	3.51	3.95	4.38	4.82	5.25	5.69	6.13	6.56	7	7.43	8.3	9.17	10.91	12.64	14.37	16.09	
1200	4.09	4.6	5.11	5.62	6.12	6.63	7.14	7.65	8.15	8.66	9.67	10.68	12.7	14.71	16.71	18.71	
1400	4.66	5.24	5.82	6.4	6.97	7.55	8.13	8.71	9.28	9.86	11.01	12.16	14.44	16.72	18.99	21.24	
1600	5.22	5.87	6.51	7.16	7.81	8.45	9.1	9.74	10.39	11.03	12.31	13.59	16.15	18.68	21.2	23.69	
1800	5.77	6.48	7.2	7.91	8.63	9.34	10.05	10.76	11.47	12.18	13.6	15.01	17.81	20.59	23.35	26.08	
2000	6.31	7.09	7.87	8.65	9.43	10.21	10.99	11.77	12.54	13.31	14.86	16.39	19.44	22.46	25.45	28.39	
2400	7.38	8.29	9.2	10.11	11.02	11.93	12.84	13.74	14.64	15.54	17.33	19.1	22.62	26.09	29.49	32.82	
2800	8.43	9.47	10.51	11.55	12.58	13.61	14.64	15.67	16.69	17.71	19.73	21.73	25.69	29.55	33.32	36.97	
3200	9.47	10.64	11.8	12.96	14.12	15.27	16.41	17.56	18.69	19.82	22.07	24.29	28.64	32.86	36.93	-	
3600	10.5	11.79	13.07	14.35	15.63	16.89	18.15	19.41	20.65	21.89	24.34	26.76	31.47	35.99	-	-	
4000	11.51	12.92	14.33	15.72	17.11	18.49	19.86	21.22	22.57	23.91	26.56	29.15	34.17	-	-	-	
4400	12.52	14.04	15.56	17.07	18.57	20.06	21.53	22.99	24.44	25.88	28.7	31.45	36.74	-	-	-	
4800	13.51	15.15	16.78	18.4	20.01	21.6	23.17	24.73	26.27	27.79	30.77	33.66	-	-	-	-	
5200	14.49	16.25	17.99	19.71	21.41	23.1	24.77	26.41	28.04	29.64	32.76	-	-	-	-	-	

22MM WIDE

1160	7.29	8.2	9.1	10.01	10.91	11.82	12.72	13.63	14.53	15.43	17.24	19.04	22.64	26.22	29.79	33.35	
1460	8.85	9.95	11.05	12.15	13.25	14.34	15.44	16.53	17.63	18.72	20.9	23.08	27.42	31.74	36.04	40.3	
1750	10.32	11.6	12.88	14.16	15.44	16.72	17.99	19.26	20.54	21.81	24.34	26.87	31.9	36.89	41.83	46.72	
2900	15.94	17.9	19.87	21.82	23.78	25.72	27.66	29.6	31.52	33.44	37.25	41.03	48.46	55.72	62.77	69.6	
3500	18.78	21.09	23.39	25.68	27.96	30.23	32.49	34.74	36.98	39.2	43.6	47.94	56.41	64.57	-	-	
10	0.11	0.12	0.13	0.15	0.16	0.17	0.19	0.2	0.21	0.23	0.25	0.28	0.33	0.39	0.44	0.5	
20	0.19	0.22	0.24	0.26	0.29	0.31	0.34	0.36	0.38	0.41	0.46	0.5	0.6	0.7	0.79	0.89	
40	0.36	0.41	0.45	0.5	0.54	0.59	0.63	0.68	0.72	0.76	0.85	0.94	1.12	1.3	1.48	1.66	
60	0.53	0.59	0.66	0.72	0.79	0.85	0.92	0.98	1.05	1.11	1.25	1.38	1.64	1.9	2.16	2.42	
100	0.85	0.95	1.06	1.16	1.27	1.37	1.48	1.58	1.69	1.79	2	2.21	2.64	3.06	3.48	3.9	
200	1.6	1.8	1.99	2.19	2.39	2.59	2.79	2.99	3.19	3.39	3.78	4.18	4.98	5.77	6.57	7.36	
300	2.29	2.58	2.87	3.15	3.44	3.72	4.01	4.29	4.58	4.86	5.43	6	7.15	8.29	9.43	10.57	
400	2.95	3.32	3.69	4.05	4.42	4.79	5.15	5.52	5.89	6.26	6.99	7.72	9.19	10.66	12.12	13.59	
500	3.58	4.02	4.47	4.91	5.36	5.8	6.25	6.69	7.14	7.58	8.47	9.36	11.14	12.92	14.69	16.47	
600	4.18	4.7	5.22	5.74	6.26	6.78	7.3	7.82	8.34	8.86	9.9	10.94	13.01	15.09	17.16	19.23	
800	5.33	6	6.66	7.32	7.98	8.65	9.31	9.97	10.63	11.3	12.62	13.94	16.59	19.23	21.86	24.49	
1000	6.43	7.23	8.03	8.83	9.63	10.43	11.23	12.03	12.83	13.63	15.22	16.81	20	23.17	26.34	29.49	
1200	7.5	8.43	9.37	10.3	11.23	12.16	13.09	14.02	14.95	15.88	17.73	19.59	23.29	26.97	30.64	34.3	
1400	8.54	9.6	10.67	11.73	12.78	13.84	14.9	15.96	17.02	18.07	20.18	22.28	26.48	30.66	34.81	38.94	
1600	9.57	10.75	11.94	13.13	14.31	15.5	16.68	17.86	19.04	20.22	22.57	24.92	29.6	34.25	38.86	43.44	
1800	10.57	11.88	13.2	14.5	15.81	17.12	18.42	19.73	21.03	22.33	24.92	27.51	32.65	37.75	42.81	47.8	
2000	11.57	13	14.43	15.87	17.3	18.72	20.15	21.57	22.99	24.41	27.24	30.05	35.65	41.18	46.65	52.05	
2400	13.53	15.2	16.88	18.54	20.21	21.87	23.53	25.19	26.84	28.48	31.76	35.02	41.47	47.83	54.06	60.17	
2800	15.46	17.37	19.27	21.17	23.07	24.96	26.84	28.72	30.59	32.46	36.17	39.84	47.09	54.18	61.08	67.78	
3200	17.36	19.5	21.64	23.76	25.88	27.99	30.09	32.19	34.27	36.34	40.46	44.52	52.5	60.24	67.7	-	
3600	19.24	21.61	23.97	26.31	28.65	30.97	33.28	35.58	37.87	40.14	44.63	49.06	57.69	65.98	-	-	
4000	21.11	23.69	26.26	28.82	31.37	33.9	36.41	38.91	41.38	43.84	48.69	53.44	62.65	-	-	-	
4400	22.95	25.75	28.53	31.3	34.05	36.77	39.48	42.18	44.81	47.44	52.61	57.66	67.35	-	-	-	
4800	24.77	27.78	30.77	33.74	36.68	39.59	42.48	45.33	48.15	50.94	56.41	61.71	-	-	-	-	
5200	26.57	29.78	32.97	36.13	39.26	42.35	45.41	48.43	51.4	54.33	60.06	-	-	-	-	-	

QT Power Chain Horsepower Ratings 8M

35MM WIDE

The following tables represent the horsepower ratings for each belt at the pre-determined No. of Teeth, Pitch Diameters and RPMs. These ratings must be multiplied by the applicable belt length factor to obtain corrected HP rating.

No Teeth PD (in.)	22	24	26	28	30	32	34	36	38	40	44	48	56	64	72	80
	2.206	2.406	2.607	2.807	3.008	3.208	3.409	3.609	3.81	4.01	4.411	4.812	5.614	6.416	7.218	8.02
1160	11.6	13.04	14.48	15.92	17.36	18.8	20.24	21.68	23.12	24.55	27.42	30.29	36.01	41.72	47.4	53.06
1460	14.08	15.83	17.58	19.33	21.07	22.82	24.56	26.3	28.04	29.78	33.26	36.72	43.63	50.5	57.33	64.12
1750	16.42	18.46	20.5	22.53	24.56	26.59	28.62	30.65	32.67	34.69	38.72	42.74	50.74	58.68	66.55	74.33
2900	25.35	28.48	31.61	34.72	37.83	40.92	44.01	47.08	50.15	53.2	59.26	65.27	77.1	88.65	99.87	110.73
3500	29.87	33.54	37.21	40.85	44.48	48.1	51.69	55.27	58.82	62.36	69.36	76.27	89.75	102.73	-	-
10	0.17	0.19	0.21	0.23	0.26	0.28	0.3	0.32	0.34	0.36	0.41	0.45	0.53	0.62	0.7	0.79
20	0.31	0.34	0.38	0.42	0.46	0.5	0.53	0.57	0.61	0.65	0.72	0.8	0.95	1.11	1.26	1.41
40	0.57	0.65	0.72	0.79	0.86	0.93	1	1.07	1.15	1.22	1.36	1.5	1.79	2.07	2.36	2.65
60	0.84	0.94	1.04	1.15	1.25	1.36	1.46	1.57	1.67	1.77	1.98	2.19	2.61	3.02	3.44	3.86
100	1.35	1.51	1.68	1.85	2.02	2.18	2.35	2.52	2.69	2.85	3.19	3.52	4.19	4.86	5.53	6.2
200	2.54	2.86	3.17	3.49	3.81	4.12	4.44	4.75	5.07	5.39	6.02	6.65	7.92	9.18	10.45	11.71
300	3.65	4.1	4.56	5.01	5.47	5.92	6.37	6.83	7.28	7.74	8.65	9.55	11.37	13.18	15	16.81
400	4.7	5.28	5.86	6.45	7.03	7.62	8.2	8.78	9.37	9.95	11.12	12.29	14.62	16.96	19.29	21.62
500	5.69	6.4	7.11	7.82	8.52	9.23	9.94	10.65	11.35	12.06	13.48	14.89	17.72	20.55	23.37	26.2
600	6.65	7.48	8.3	9.13	9.96	10.79	11.61	12.44	13.27	14.09	15.74	17.4	20.7	24	27.3	30.59
800	8.48	9.54	10.59	11.65	12.7	13.76	14.81	15.86	16.92	17.97	20.08	22.18	26.39	30.59	34.78	38.97
1000	10.24	11.51	12.78	14.05	15.33	16.6	17.87	19.14	20.41	21.68	24.21	26.75	31.81	36.86	41.9	46.92
1200	11.93	13.42	14.9	16.38	17.86	19.34	20.82	22.3	23.78	25.26	28.21	31.16	37.04	42.91	48.75	54.56
1400	13.59	15.28	16.97	18.65	20.34	22.02	23.71	25.39	27.07	28.75	32.1	35.45	42.13	48.77	55.38	61.95
1600	15.22	17.11	19	20.88	22.77	24.65	26.53	28.41	30.29	32.17	35.91	39.65	47.09	54.49	61.82	69.1
1800	16.82	18.91	20.99	23.08	25.16	27.24	29.31	31.39	33.46	35.53	39.65	43.77	51.95	60.06	68.1	76.05
2000	18.4	20.69	22.96	25.24	27.51	29.79	32.05	34.32	36.58	38.83	43.33	47.81	56.71	65.52	74.22	82.8
2400	21.52	24.19	26.85	29.5	32.15	34.8	37.44	40.07	42.69	45.31	50.53	55.72	65.98	76.09	86.01	95.72
2800	24.59	27.63	30.66	33.69	36.7	39.71	42.71	45.69	48.67	51.64	57.54	63.39	74.92	86.19	97.18	107.83
3200	27.62	31.03	34.42	37.8	41.17	44.53	47.88	51.21	54.52	57.82	64.36	70.83	83.52	95.83	107.7	-
3600	30.62	34.38	38.13	41.86	45.58	49.27	52.95	56.61	60.24	63.85	71.01	78.05	91.78	104.96	-	-
4000	33.58	37.69	41.78	45.86	49.91	53.93	57.93	61.9	65.83	69.74	77.46	85.02	99.66	-	-	-
4400	36.51	40.96	45.39	49.79	54.16	58.5	62.8	67.07	71.29	75.47	83.7	91.74	107.15	-	-	-
4800	39.4	44.19	48.95	53.67	58.35	62.99	67.58	72.12	76.61	81.04	89.74	98.18	-	-	-	-
5200	42.27	47.38	52.46	57.48	62.46	67.38	72.24	77.04	81.78	86.44	95.55	-	-	-	-	-

No Teeth PD (in.)	60MM WIDE															
	22	24	26	28	30	32	34	36	38	40	44	48	56	64	72	80
1160	19.88	22.35	24.82	27.29	29.76	32.23	34.7	37.16	39.63	42.09	47.01	51.92	61.73	71.51	81.25	90.96
1460	24.14	27.14	30.14	33.13	36.12	39.12	42.1	45.09	48.07	51.06	57.01	62.95	74.79	86.57	98.28	109.91
1750	28.15	31.65	35.14	38.62	42.11	45.59	49.07	52.54	56.01	59.47	66.38	73.28	86.99	100.6	114.08	127.43
2900	43.46	48.83	54.18	59.52	64.85	70.15	75.44	80.71	85.97	91.2	101.59	111.89	132.17	151.97	171.2	189.81
3500	51.21	57.51	63.78	70.03	76.25	82.45	88.61	94.74	100.84	106.9	118.91	130.75	153.85	176.11	-	-
10	0.29	0.33	0.37	0.4	0.44	0.48	0.51	0.55	0.58	0.62	0.69	0.77	0.91	1.06	1.21	1.35
20	0.52	0.59	0.66	0.72	0.79	0.85	0.92	0.98	1.05	1.11	1.24	1.37	1.63	1.9	2.16	2.42
40	0.98	1.11	1.23	1.35	1.47	1.6	1.72	1.84	1.96	2.09	2.33	2.58	3.07	3.56	4.05	4.53
60	1.43	1.61	1.79	1.97	2.15	2.33	2.51	2.68	2.86	3.04	3.4	3.75	4.47	5.18	5.9	6.61
100	2.31	2.59	2.88	3.17	3.46	3.74	4.03	4.32	4.6	4.89	5.47	6.04	7.19	8.34	9.48	10.63
200	4.36	4.9	5.44	5.98	6.52	7.07	7.61	8.15	8.69	9.23	10.32	11.4	13.57	15.74	17.91	20.07
300	6.26	7.04	7.81	8.59	9.37	10.15	10.93	11.71	12.49	13.26	14.82	16.38	19.49	22.6	25.71	28.83
400	8.05	9.05	10.05	11.05	12.05	13.06	14.06	15.06	16.06	17.06	19.06	21.06	25.07	29.07	33.07	37.06
500	9.76	10.97	12.18	13.4	14.61	15.83	17.04	18.25	19.46	20.68	23.1	25.53	30.38	35.22	40.07	44.91
600	11.4	12.82	14.24	15.65	17.07	18.49	19.91	21.32	22.74	24.16	26.99	29.82	35.49	41.14	46.8	52.44
800	14.54	16.35	18.16	19.97	21.78	23.58	25.39	27.2	29	30.81	34.42	38.03	45.24	52.44	59.62	66.8
1000	17.55	19.73	21.91	24.09	26.27	28.45	30.63	32.81	34.99	37.16	41.51	45.86	54.54	63.19	71.83	80.44
1200	20.46	23	25.54	28.08	30.62	33.16	35.7	38.24	40.77	43.3	48.36	53.42	63.51	73.56	83.57	93.54
1400	23.3	26.19	29.09	31.98	34.87	37.76	40.64	43.53	46.41	49.29	55.04	60.78	72.22	83.61	94.94	106.19
1600	26.09	29.33	32.56	35.8	39.03	42.26	45.49	48.71	51.93	55.14	61.57	67.97	80.73	93.4	105.99	118.46
1800	28.84	32.41	35.99	39.56	43.13	46.69	50.25	53.81	57.36	60.9	67.98	75.03	89.06	102.97	116.75	130.38
2000	31.55	35.46	39.37	43.27	47.17	51.06	54.95	58.83	62.7	66.57	74.28	81.96	97.22	112.32	127.24	141.95
2400	36.9	41.46	46.02	50.57	55.12	59.65	64.18	68.69	73.19	77.68	86.63	95.51	113.11	130.43	147.44	164.09
2800	42.16	47.37	52.56	57.75	62.92	68.07	73.21	78.33	83.44	88.53	98.64	108.67	128.43	147.76	166.59	184.85
3200	47.35	53.19	59.01	64.81	70.58	76.34	82.07	87.78	93.46	99.12	110.34	121.43	143.18	164.28	184.63	-
3600	52.49	58.94	65.36	71.76	78.13	84.47	90.77	97.04	103.27	109.47	121.72	133.8	157.33	179.94	-	-
4000	57.56	64.61	71.63	78.61	85.55	92.45	99.3	106.11	112.86	119.56	132.78	145.75	170.85	-	-	-
4400	62.58	70.22	77.82	85.36	92.85	100.29	107.66	114.97	122.22	129.39	143.49	157.27	183.69	-	-	-
4800	67.55	75.76	83.92	92.01	100.03	107.98	115.85	123.63	131.33	138.93	153.84	168.31	-	-	-	-
5200	72.45	81.23	89.93	98.54	107.07	115.51	123.84	132.07	140.19	148.18	163.79	-	-	-	-	-

QT Power Chain Horsepower Ratings 14M

20MM WIDE

The following tables represent the horsepower ratings for each belt at the pre-determined No. of Teeth, Pitch Diameters and RPMs. These ratings must be multiplied by the applicable belt length factor to obtain corrected HP rating.

No Teeth	28	29	30	32	34	36	38	40	44	48	52	56	60	64	68	72	80
	PD (in.)	4.913	5.088	5.263	5.614	5.965	6.316	6.667	7.018	7.720	8.421	9.123	9.825	10.527	11.229	11.930	12.632
1160	28.63	29.78	30.92	33.20	35.48	37.75	40.02	42.29	46.81	51.31	55.79	60.25	64.69	69.10	73.49	77.85	86.48
1460	34.68	36.06	37.43	40.18	42.92	45.66	48.39	51.11	56.52	61.90	67.24	72.54	77.79	82.99	88.14	93.24	103.25
1750	40.33	41.93	43.52	46.70	49.86	53.02	56.16	59.29	65.50	71.65	77.74	83.75	89.68	95.53	101.29	106.95	117.96
2900	61.42	63.78	66.13	70.79	75.40	79.95	84.45	88.89	97.57	105.96	-	-	-	-	-	-	-
3500	71.67	74.36	77.04	82.32	87.51	92.60	97.60	102.49	-	-	-	-	-	-	-	-	-
10	0.44	0.46	0.48	0.52	0.55	0.59	0.62	0.66	0.73	0.80	0.87	0.94	1.01	1.09	1.16	1.23	1.37
20	0.78	0.81	0.84	0.90	0.97	1.03	1.09	1.15	1.28	1.40	1.53	1.65	1.78	1.90	2.03	2.15	2.40
40	1.45	1.50	1.56	1.68	1.79	1.91	2.03	2.14	2.37	2.61	2.84	3.07	3.30	3.53	3.77	4.00	4.46
60	2.10	2.18	2.27	2.44	2.60	2.77	2.94	3.11	3.45	3.78	4.12	4.46	4.79	5.13	5.47	5.81	6.48
100	3.37	3.50	3.64	3.91	4.18	4.45	4.72	4.99	5.53	6.07	6.61	7.15	7.69	8.23	8.77	9.31	10.39
200	6.34	6.59	6.84	7.35	7.86	8.37	8.88	9.39	10.40	11.42	12.44	13.45	14.47	15.48	16.50	17.51	19.55
400	11.67	12.14	12.61	13.54	14.48	15.41	16.35	17.28	19.15	21.02	22.89	24.76	26.63	28.49	30.36	32.22	35.94
600	16.50	17.16	17.82	19.14	20.46	21.78	23.10	24.42	27.06	29.69	32.32	34.95	37.58	40.20	42.82	45.43	50.65
800	21.01	21.85	22.69	24.37	26.05	27.72	29.40	31.08	34.42	37.76	41.10	44.42	47.74	51.06	54.36	57.65	64.21
1000	25.31	26.32	27.33	29.35	31.36	33.38	35.39	37.40	41.42	45.42	49.41	53.38	57.34	61.29	65.21	69.12	76.89
1200	29.45	30.63	31.80	34.15	36.49	38.82	41.16	43.49	48.13	52.75	57.35	61.93	66.49	71.01	75.51	79.97	88.81
1400	33.49	34.82	36.15	38.81	41.46	44.10	46.74	49.37	54.61	59.82	65.00	70.14	75.24	80.29	85.30	90.26	100.02
1600	37.43	38.91	40.39	43.35	46.30	49.24	52.17	55.09	60.90	66.66	72.37	78.03	83.62	89.15	94.61	100.00	110.54
1800	41.29	42.92	44.55	47.80	51.04	54.26	57.47	60.67	67.01	73.29	79.49	85.62	91.66	97.60	103.45	109.19	-
2000	45.08	46.86	48.63	52.16	55.67	59.17	62.64	66.10	72.95	79.70	86.36	92.91	99.34	105.64	111.81	-	-
2400	52.48	54.53	56.57	60.63	64.66	68.66	72.63	76.56	84.32	91.92	99.34	106.57	-	-	-	-	-
2800	59.66	61.96	64.25	68.80	73.30	77.75	82.15	86.49	95.01	103.27	-	-	-	-	-	-	-
3200	66.61	69.14	71.66	76.64	81.56	86.41	91.17	95.86	104.96	-	-	-	-	-	-	-	-
3600	73.33	76.07	78.79	84.17	89.44	94.61	99.67	-	-	-	-	-	-	-	-	-	-
4000	79.81	82.74	85.64	91.34	96.91	-	-	-	-	-	-	-	-	-	-	-	-

42MM WIDE																		
No Teeth	28	29	30	32	34	36	38	40	44	48	52	56	60	64	68	72	80	
	PD (in.)	4.913	5.088	5.263	5.614	5.965	6.316	6.667	7.018	7.720	8.421	9.123	9.825	10.527	11.229	11.930	12.632	14.036
1160	60.13	62.53	64.93	69.72	74.50	79.27	84.04	88.80	98.29	107.75	117.16	126.53	135.85	145.12	154.33	163.49	181.61	
1460	72.82	75.72	78.61	84.38	90.14	95.88	101.61	107.32	118.69	129.99	141.20	152.33	163.36	174.28	185.10	195.80	216.82	
1750	84.69	88.04	91.39	98.06	104.71	111.33	117.93	124.50	137.55	150.47	163.25	175.87	188.33	200.61	212.70	224.59	247.72	
2900	128.98	133.93	138.87	148.65	158.33	167.90	177.35	186.66	204.89	222.52	-	-	-	-	-	-	-	
3500	150.51	156.16	161.78	172.87	183.77	194.47	204.96	215.22	-	-	-	-	-	-	-	-	-	
10	0.93	0.97	1.01	1.08	1.16	1.23	1.31	1.38	1.53	1.68	1.83	1.98	2.13	2.28	2.43	2.58	2.88	
20	1.64	1.70	1.77	1.90	2.03	2.16	2.29	2.42	2.69	2.95	3.21	3.47	3.74	4.00	4.26	4.52	5.05	
40	3.04	3.16	3.28	3.52	3.77	4.01	4.25	4.50	4.98	5.47	5.96	6.45	6.93	7.42	7.91	8.40	9.37	
60	4.41	4.59	4.76	5.12	5.47	5.82	6.18	6.53	7.24	7.95	8.65	9.36	10.07	10.78	11.48	12.19	13.61	
100	7.07	7.35	7.64	8.20	8.77	9.34	9.91	10.47	11.61	12.74	13.88	15.01	16.15	17.28	18.42	19.55	21.82	
200	13.31	13.84	14.37	15.44	16.51	17.58	18.64	19.71	21.85	23.98	26.11	28.25	30.38	32.51	34.65	36.78	41.05	
400	24.51	25.49	26.47	28.44	30.40	32.37	34.33	36.30	40.22	44.15	48.07	51.99	55.91	59.83	63.75	67.66	75.48	
600	34.64	36.03	37.42	40.19	42.96	45.74	48.51	51.28	56.82	62.35	67.88	73.40	78.91	84.42	89.92	95.41	106.36	
800	44.11	45.88	47.64	51.17	54.70	58.22	61.74	65.26	72.29	79.30	86.30	93.29	100.26	107.22	114.15	121.07	134.84	
1000	53.14	55.26	57.39	61.63	65.86	70.10	74.32	78.55	86.97	95.38	103.75	112.10	120.42	128.70	136.95	145.16	161.46	
1200	61.85	64.32	66.78	71.71	76.62	81.53	86.43	91.32	101.07	110.78	120.45	130.06	139.62	149.12	158.57	167.94	186.49	
1400	70.32	73.12	75.91	81.49	87.06	92.61	98.16	103.68	114.69	125.63	136.50	147.29	158.00	168.61	179.13	189.54	210.04	
1600	78.60	81.71	84.83	91.04	97.23	103.41	109.56	115.70	127.90	140.00	151.99	163.86	175.61	187.22	198.68	210.00	232.13	
1800	86.71	90.13	93.55	100.38	107.18	113.95	120.69	127.40	140.72	153.91	166.93	179.80	192.48	204.96	217.25	229.31	-	
2000	94.67	98.40	102.12	109.53	116.91	124.25	131.55	138.81	153.19	167.38	181.36	195.10	208.60	221.84	234.79	-	-	
2400	110.22	114.52	118.80	127.33	135.79	144.19	152.53	160.79	177.07	193.02	208.61	223.80	-	-	-	-	-	
2800	125.28	130.11	134.92	144.47	153.92	163.27	172.51	181.63	199.51	216.86	-	-	-	-	-	-	-	
3200	139.88	145.20	150.48	160.95	171.28	181.45	191.46	201.30	220.42	-	-	-	-	-	-	-	-	
3600	153.99	159.75	165.47	176.75	187.83	198.69	209.31	-	-	-	-	-	-	-	-	-	-	
4000	167.60	173.75	179.84	191.81	203.51	-	-	-	-	-	-	-	-	-	-	-	-	

QT Power Chain Horsepower Ratings 14M

65MM WIDE

The following tables represent the horsepower ratings for each belt at the pre-determined No. of Teeth, Pitch Diameters and RPMs. These ratings must be multiplied by the applicable belt length factor to obtain corrected HP rating.

	No Teeth	28	29	30	32	34	36	38	40	44	48	52	56	60	64	68	72	80
	PD (in.)	4.913	5.088	5.263	5.614	5.965	6.316	6.667	7.018	7.720	8.421	9.123	9.825	10.527	11.229	11.930	12.632	14.036
Smallest Sprocket RPM	1160	93.06	96.77	100.48	107.89	115.30	122.69	130.06	137.43	152.12	166.75	181.32	195.82	210.24	224.59	238.85	253.01	281.06
	1460	112.70	117.18	121.65	130.59	139.50	148.39	157.25	166.09	183.69	201.18	218.53	235.75	252.81	269.72	286.46	303.02	335.55
	1750	131.07	136.26	141.43	151.76	162.05	172.30	182.51	192.68	212.88	232.87	252.64	272.18	291.46	310.46	329.18	347.58	383.37
	2900	199.61	207.28	214.91	230.06	245.04	259.85	274.47	288.89	317.09	344.38	-	-	-	-	-	-	-
	3500	232.93	241.68	250.37	267.53	284.41	300.97	317.20	333.08	-	-	-	-	-	-	-	-	-
	10	1.44	1.50	1.56	1.67	1.79	1.91	2.02	2.14	2.37	2.60	2.83	3.06	3.30	3.53	3.76	3.99	4.45
	20	2.53	2.63	2.73	2.94	3.14	3.34	3.55	3.75	4.16	4.56	4.97	5.37	5.78	6.19	6.59	7.00	7.81
	40	4.70	4.89	5.08	5.45	5.83	6.21	6.58	6.96	7.71	8.47	9.22	9.98	10.73	11.48	12.24	12.99	14.50
	60	6.82	7.10	7.37	7.92	8.47	9.01	9.56	10.11	11.20	12.30	13.39	14.49	15.58	16.68	17.77	18.87	21.06
	100	10.94	11.38	11.82	12.70	13.58	14.45	15.33	16.21	17.97	19.72	21.48	23.23	24.99	26.74	28.50	30.26	33.77
	200	20.59	21.42	22.24	23.90	25.55	27.20	28.85	30.50	33.81	37.11	40.41	43.72	47.02	50.32	53.62	56.92	63.52
	400	37.93	39.45	40.97	44.01	47.05	50.09	53.13	56.17	62.25	68.32	74.40	80.47	86.53	92.59	98.65	104.71	116.81
	600	53.61	55.76	57.91	62.20	66.49	70.78	75.07	79.36	87.93	96.49	105.05	113.59	122.12	130.65	139.16	147.65	164.61
	800	68.27	71.00	73.73	79.19	84.65	90.10	95.55	101.00	111.87	122.73	133.56	144.38	155.17	165.93	176.66	187.37	208.68
	1000	82.24	85.53	88.81	95.38	101.93	108.48	115.03	121.56	134.60	147.61	160.57	173.49	186.36	199.18	211.95	224.66	249.88
	1200	95.72	99.54	103.35	110.97	118.58	126.18	133.76	141.33	156.42	171.45	186.40	201.28	216.08	230.79	245.40	259.91	288.62
	1400	108.83	113.16	117.48	126.12	134.74	143.33	151.91	160.46	177.50	194.43	211.25	227.95	244.52	260.94	277.22	293.34	325.06
	1600	121.64	126.46	131.28	140.89	150.48	160.04	169.56	179.06	197.93	216.66	235.22	253.59	271.77	289.74	307.49	324.99	359.24
	1800	134.19	139.49	144.79	155.35	165.87	176.35	186.78	197.17	217.79	238.19	258.35	278.25	297.88	317.21	336.21	354.88	-
	2000	146.52	152.29	158.04	169.51	180.93	192.29	203.59	214.82	237.08	259.04	280.67	301.95	322.84	343.32	363.37	-	-
2400	170.58	177.23	183.86	197.06	210.16	223.16	236.05	248.84	274.04	298.73	322.85	346.35	-	-	-	-	-	
2800	193.89	201.37	208.81	223.58	238.21	252.68	266.98	281.10	308.77	335.62	-	-	-	-	-	-	-	
3200	216.48	224.71	232.89	249.10	265.08	280.82	296.31	311.54	341.13	-	-	-	-	-	-	-	-	
3600	238.32	247.23	256.08	273.54	290.69	307.49	323.94	-	-	-	-	-	-	-	-	-	-	
4000	259.38	268.90	278.32	296.85	314.95	-	-	-	-	-	-	-	-	-	-	-	-	

90MM WIDE

Smallest Sprocket RPM	1160	128.85	133.99	139.13	149.39	159.64	169.87	180.09	190.29	210.63	230.89	251.06	271.13	291.11	310.97	330.71	350.33	389.16
	1460	156.05	162.25	168.44	180.81	193.15	205.46	217.74	229.98	254.34	278.55	302.58	326.42	350.05	373.46	396.64	419.56	464.61
	1750	181.48	188.66	195.83	210.13	224.38	238.57	252.71	266.79	294.75	322.43	349.81	376.86	403.56	429.87	455.78	481.26	530.83
	2900	276.38	287.00	297.57	318.54	339.29	359.79	380.03	400.00	439.05	476.83	-	-	-	-	-	-	-
	3500	322.52	334.64	346.66	370.43	393.79	416.72	439.20	461.19	-	-	-	-	-	-	-	-	-
	10	2.00	2.08	2.16	2.32	2.48	2.64	2.80	2.96	3.28	3.60	3.92	4.24	4.56	4.88	5.20	5.52	6.17
	20	3.50	3.64	3.79	4.07	4.35	4.63	4.91	5.19	5.75	6.32	6.88	7.44	8.00	8.57	9.13	9.69	10.82
	40	6.51	6.77	7.03	7.55	8.07	8.59	9.12	9.64	10.68	11.73	12.77	13.81	14.86	15.90	16.95	17.99	20.08
	60	9.45	9.83	10.21	10.96	11.72	12.48	13.24	14.00	15.51	17.03	18.54	20.06	21.58	23.09	24.61	26.12	29.16
	100	15.15	15.76	16.37	17.58	18.80	20.01	21.23	22.44	24.88	27.31	29.74	32.17	34.60	37.03	39.46	41.89	46.75
	200	28.51	29.66	30.80	33.09	35.37	37.66	39.95	42.24	46.81	51.38	55.96	60.53	65.10	69.67	74.25	78.82	87.96
	400	52.52	54.62	56.73	60.94	65.15	69.36	73.57	77.78	86.19	94.60	103.01	111.41	119.81	128.21	136.60	144.98	161.74
	600	74.23	77.20	80.18	86.12	92.07	98.01	103.95	109.88	121.75	133.61	145.45	157.28	169.09	180.89	192.68	204.44	227.92
	800	94.53	98.31	102.09	109.65	117.21	124.76	132.30	139.84	154.90	169.93	184.94	199.91	214.85	229.75	244.61	259.43	288.95
	1000	113.87	118.42	122.97	132.06	141.14	150.21	159.27	168.31	186.37	204.38	222.33	240.22	258.04	275.79	293.47	311.06	345.99
	1200	132.54	137.82	143.11	153.66	164.19	174.71	185.21	195.69	216.58	237.39	258.10	278.70	299.19	319.55	339.79	359.88	399.62
	1400	150.69	156.68	162.67	174.63	186.56	198.46	210.33	222.18	245.77	269.21	292.50	315.62	338.56	361.31	383.84	406.16	450.08
	1600	168.42	175.10	181.77	195.08	208.36	221.59	234.78	247.92	274.06	299.99	325.68	351.13	376.30	401.18	425.75	449.99	497.41
	1800	185.80	193.14	200.47	215.10	229.66	244.17	258.62	273.00	301.55	329.80	357.72	385.28	412.45	439.21	465.53	491.38	-
	2000	202.87	210.86	218.83	234.71	250.52	266.25	281.89	297.45	328.27	358.67	388.62	418.08	447.01	475.37	503.13	-	-
2400	236.18	245.39	254.58	272.85	290.99	308.99	326.84	344.54	379.44	413.62	447.02	479.57	-	-	-	-	-	
2800	268.46	278.81	289.12	309.58	329.83	349.86	369.66	389.22	427.53	464.70	-	-	-	-	-	-	-	
3200	299.74	311.14	322.46	344.90	367.03	388.83	410.28	431.36	472.34	-	-	-	-	-	-	-	-	
3600	329.98	342.33	354.57	378.75	402.49	425.76	448.53	-	-	-	-	-	-	-	-	-	-	
4000	359.14	372.32	385.37	411.03	436.09	-	-	-	-	-	-	-	-	-	-	-	-	

QT Power Chain Horsepower Ratings 14M

120MM WIDE

The following tables represent the horsepower ratings for each belt at the pre-determined No. of Teeth, Pitch Diameters and RPMs. These ratings must be multiplied by the applicable belt length factor to obtain corrected HP rating.

Smallest Sprocket RPM	No Teeth	28	29	30	32	34	36	38	40	44	48	52	56	60	64	68	72	80
	PD (in.)	4.913	5.088	5.263	5.614	5.965	6.316	6.667	7.018	7.720	8.421	9.123	9.825	10.527	11.229	11.930	12.632	14.036
1160	171.80	178.66	185.51	199.19	212.85	226.50	240.12	253.72	280.84	307.85	334.74	361.51	388.14	414.62	440.95	467.10	518.87	518.87
1460	208.06	216.33	224.59	241.08	257.54	273.95	290.31	306.63	339.13	371.40	403.44	435.22	466.73	497.95	528.85	559.42	619.48	619.48
1750	241.98	251.55	261.11	280.17	299.17	318.10	336.95	355.72	393.00	429.91	466.42	502.48	538.08	573.17	607.71	641.68	707.77	707.77
2900	368.50	382.66	396.76	424.73	452.38	479.72	506.71	533.33	585.40	635.78	-	-	-	-	-	-	-	-
3500	430.02	446.18	462.22	493.91	525.06	555.63	585.59	614.92	-	-	-	-	-	-	-	-	-	-
10	2.66	2.77	2.88	3.09	3.30	3.52	3.73	3.95	4.37	4.80	5.23	5.66	6.08	6.51	6.94	7.37	8.22	8.22
20	4.67	4.86	5.05	5.42	5.80	6.17	6.55	6.92	7.67	8.42	9.17	9.92	10.67	11.42	12.17	12.92	14.42	14.42
40	8.67	9.02	9.37	10.07	10.76	11.46	12.15	12.85	14.24	15.63	17.03	18.42	19.81	21.20	22.59	23.99	26.77	26.77
60	12.60	13.10	13.61	14.62	15.63	16.64	17.65	18.66	20.68	22.70	24.73	26.75	28.77	30.79	32.81	34.83	38.88	38.88
100	20.20	21.01	21.82	23.44	25.06	26.68	28.30	29.93	33.17	36.41	39.65	42.89	46.13	49.37	52.62	55.86	62.34	62.34
200	38.02	39.54	41.07	44.12	47.17	50.22	53.27	56.32	62.41	68.51	74.61	80.71	86.80	92.90	98.99	105.09	117.27	117.27
400	70.02	72.83	75.64	81.25	86.87	92.48	98.09	103.70	114.92	126.14	137.35	148.55	159.75	170.94	182.13	193.31	215.65	215.65
600	98.97	102.94	106.90	114.83	122.76	130.68	138.60	146.51	162.33	178.14	193.93	209.70	225.46	241.19	256.90	272.59	303.89	303.89
800	126.03	131.08	136.12	146.20	156.27	166.34	176.40	186.45	206.53	226.58	246.58	266.54	286.46	306.33	326.15	345.91	385.26	385.26
1000	151.83	157.90	163.96	176.08	188.19	200.28	212.36	224.42	248.50	272.51	296.44	320.29	344.05	367.72	391.29	414.75	461.32	461.32
1200	176.72	183.77	190.81	204.88	218.92	232.94	246.94	260.91	288.78	316.52	344.13	371.60	398.92	426.07	453.05	479.84	532.83	532.83
1400	200.92	208.91	216.89	232.84	248.74	264.61	280.45	296.24	327.69	358.95	390.00	420.83	451.41	481.74	511.79	541.55	600.11	600.11
1600	224.56	233.46	242.36	260.11	277.81	295.45	313.04	330.56	365.42	399.99	434.25	468.17	501.73	534.91	567.67	599.99	663.22	663.22
1800	247.73	257.52	267.30	286.79	306.22	325.56	344.82	364.00	402.07	439.73	476.95	513.70	549.93	585.61	620.70	655.17	-	-
2000	270.49	281.14	291.77	312.95	334.03	355.00	375.86	396.60	437.69	478.23	518.16	557.44	596.01	633.83	670.84	-	-	-
2400	314.91	327.19	339.43	363.79	387.98	411.98	435.79	459.39	505.92	551.50	596.03	639.42	-	-	-	-	-	-
2800	357.95	371.75	385.49	412.77	439.78	466.49	492.88	518.96	570.04	619.60	-	-	-	-	-	-	-	-
3200	399.65	414.85	429.95	459.87	489.37	518.44	547.03	575.14	629.78	-	-	-	-	-	-	-	-	-
3600	439.97	456.43	472.76	505.00	536.65	567.67	598.04	-	-	-	-	-	-	-	-	-	-	-
4000	478.85	496.43	513.82	548.04	581.45	-	-	-	-	-	-	-	-	-	-	-	-	-