

JVS Adjustable Speed Sheaves

Features

- **For A-B or 5V Belts**
- **Up to 40 HP @ 1750 rpm**
- **Needs No Lubrication**
- **Won't Freeze or Stick**
- **Wider Speed Range**



Wood's JVS stationary control, adjustable speed sheaves offer several significant advantages. This sheave is available in 6 sizes from 5.118 inches (130 mm) to 9.055 inches (230 mm) in diameter. It uses Classical A and B belts and Narrow 5V belts. Capacities range up to 40 hp at 1750 rpm. Its speed is infinitely variable, and because one screw controls both moveable flanges, accurate groove spacing is assured at all times. It uses a clamping collar design with no threads on either the sleeve or the flanges, so there is no chance of fretting corrosion and sticking. No lubrication is needed.

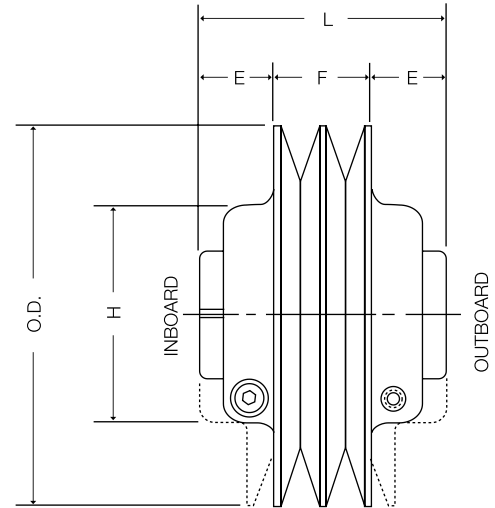
JVS Adjustable Speed Sheaves

Dimensions

Product No.	Stock Bores	Max. Bore
JVS1302	1-1/8, 1-3/8	1.3750
JVS1502	1-1/8, 1-3/8, 1-5/8	1.6875
JVS1702	1-1/8, 1-3/8, 1-5/8	1.6875
JVS1902	1-3/8, 1-5/8, 1-7/8	2.4375
JVS2102	1-3/8, 1-5/8, 1-7/8, 2-1/8	2.4375
JVS2302	1-3/8, 1-5/8, 1-7/8, 2-1/8	2.4375

Product No. Example:

JVS1302 with 1-3/8" Bore = JVS1302138 (Product No.)



Product No.	PITCH DIA. RANGE			O.D.	DIMENSIONS						WT. (Lbs.)
	A Belts	B Belts	5V Belts		L	F		E		H	
						Min.	Max.	Min.	Max.		
JVS1302	3.86 - 4.58	4.22 - 5.14	-	5.12	3.77	1.73	2.27	.75	1.02	3.19	8.0
JVS1502	4.44 - 5.36	4.49 - 5.92	4.41 - 5.84 †	5.90	4.13	1.73	2.59	.77	1.20	3.62	11.0
JVS1702	5.13 - 6.15	5.5 - 5.28	5.2 - 6.63 †	6.69	4.13	1.73	2.59	.77	1.20	3.62	13.5
JVS1902	5.92 - 6.94	5.5 - 6.07	5.99 - 7.42	7.48	4.13	1.73	2.59	.77	1.20	5.09	20.0
JVS2102	6.71 - 7.73	5.5 - 6.87	6.78 - 8.21	8.27	4.13	1.73	2.59	.77	1.20	5.09	23.0
JVS2302	7.15 - 8.52	5.5 - 7.65	7.57 - 9.00	9.06	4.13	1.73	2.59	.77	1.20	5.09	26.0

Note: JVS sheaves use standard 2 Groove "B" or "5V" sheaves as companions.

† Recommended for use with Narrow Cog Belts only.

Note: One turn of the adjusting screw varies the pitch .2". Maximum to minimum adjustment requires seven turns.