

5VS And 8VS Ultra-V Adjustable Sheave

Features

- For the 5V & 8V Narrow Belt
- More hp per inch Face Width
- Capacities to 500 hp @ 1750 rpm
- Interchangeable Bushings
- Needs No Lubrication
- Won't Freeze or Stick

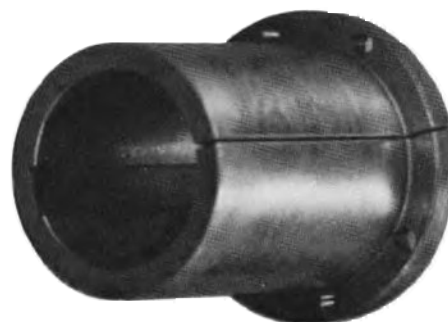


The narrow stationary control adjustable speed sheaves feature a design which uses a tapered bushing to lock all moveable parts and clamp the sheave to the shaft, thus eliminating fretting corrosion and minimizing unbalance. The 5VS sheaves are available in five basic sizes—5VS240, 5VS265, 5VS290, 5VS315 and 5VS355. The 5VS240 and 5VS265 sheaves are available with 2 through 6 grooves; and the 5VS290 through 5VS355 with 2 through 8 grooves. The 8VS sheaves are available in two basic sizes—8VS355 and 8VS-405, which are available with 4 through 8 grooves.

These sheaves are fitted with a split interchangeable bushing which is carried in stock with the popular bores. See chart on following pages for bores available from stock.

Companion sheave selection depends upon the number of grooves in the 5VS sheave.

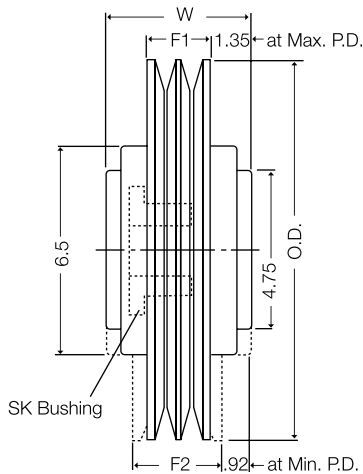
5VS SHEAVE	USE COMPANION
2 Groove	2 Groove – Stock 5V
3 Groove	5 Groove – Stock 5V
4 Groove	7 Groove – Stock 5V
5 Groove	9 Groove – Stock 5V
6 Groove	Stock 6 Groove Wide Space Companion
8 Groove	MTO 8 Groove Wide Spaced Companion



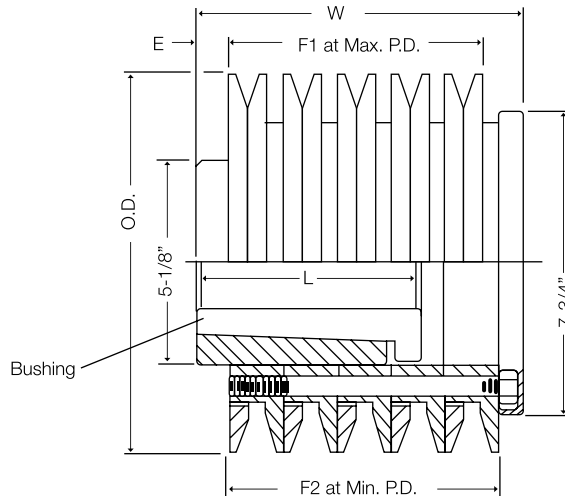
NOTE: 8VS Sheaves use MTO 8V Wide Groove Companions

5VS Adjustable Sheaves

Dimensions



2 Groove Only
Max. to min. pitch 7-1/2 turns.
Each turn varies pitch .18".



3 Thru 8 Grooves
Max. to min. pitch 5.5 turns.
Each turn varies pitch .25".

5VS SHEAVES 2, 3, 4, 5, 6 & 8 GROOVES

Product No.	P.D.		O.D.	Bushing Product No	DIMENSIONS					WT. Lbs.
	Min.	Max.			F1	F2	W	E	L	
5VS2402	8.20	9.57	9.56	SK	1.89	2.75	4.59	-	-	34
5VS2403	8.20	9.57	9.56	5VSSB	3.70	4.13	5.30	.43	5.27	52
5VS2404	8.20	9.57	9.56	5VSSB	5.07	5.50	6.67	.43	5.27	64
5VS2405	8.20	9.57	9.56	5VSSB	6.45	6.88	8.05	.43	5.27	76
5VS2406	8.20	9.57	9.56	5VSLB	7.80	8.26	9.43	.43	8.46	100
5VS2652	9.19	10.57	10.56	SK	1.89	2.75	4.59	-	-	40
5VS2653	9.19	10.57	10.56	5VSSB	3.70	4.13	5.30	.43	5.27	62
5VS2654	9.19	10.57	10.56	5VSSB	5.07	5.50	6.67	.43	5.27	78
5VS2655	9.19	10.57	10.56	5VSSB	6.45	6.88	8.05	.43	5.27	92
5VS2656	9.19	10.57	10.56	5VSLB	7.80	8.26	9.43	.43	8.46	118
5VS2902	10.17	11.55	11.54	SK	1.89	2.75	4.59	-	-	46
5VS2903	10.17	11.55	11.54	5VSSB	3.70	4.13	5.30	.43	5.27	74
5VS2904	10.17	11.55	11.54	5VSSB	5.07	5.50	6.67	.43	5.27	92
5VS2905	10.17	11.55	11.54	5VSSB	6.45	6.88	8.05	.43	5.27	110
5VS2906	10.17	11.55	11.54	5VSLB	7.80	8.26	9.43	.43	8.46	140
5VS2908	10.17	11.55	11.54	5VSLB	10.56	11.00	12.18	.43	8.46	178
5VS3152	11.15	12.53	12.52	SK	1.89	2.75	4.59	-	-	52
5VS3153	11.15	12.53	12.52	5VSSB	3.70	4.13	5.30	.43	5.27	84
5VS3154	11.15	12.53	12.52	5VSSB	5.07	5.50	6.67	.43	5.27	106
5VS3155	11.15	12.53	12.52	5VSSB	6.45	6.88	8.05	.43	5.27	130
5VS3156	11.15	12.53	12.52	5VSLB	7.80	8.26	9.43	.43	8.46	162
5VS3158	11.15	12.53	12.52	5VSLB	10.56	11.00	12.18	.43	8.46	210
5VS3552	12.72	14.10	14.09	SK	1.89	2.75	4.59	-	-	52
5VS3553	12.72	14.10	14.09	5VSSB	3.70	4.13	5.30	.43	5.27	104
5VS3554	12.72	14.10	14.09	5VSSB	5.07	5.50	6.67	.43	5.27	133
5VS3555	12.72	14.10	14.09	5VSSB	6.45	6.88	8.05	.43	5.27	164
5VS3556	12.72	14.10	14.09	5VSLB	7.80	8.26	9.43	.43	8.46	202
5VS3558	12.72	14.10	14.09	5VSLB	10.56	11.00	12.18	.43	8.46	264

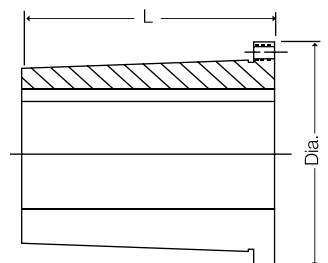
Note: All dimensions in the above tables are in inches.
Maximum speed of all 5VS sheaves is 1800 RPM.

BUSHING DIMENSIONS

Prod. No.	Stock Bores	Diameter	Length	Wt. (Lbs.)
5VSSB	1-7/8, 2-1/8, 2-3/8, 2-7/8, 3-3/8	5.10	5.27	11.5
5VSLB	2-3/8, 2-7/8, 3-3/8*	5.10	8.46*	9.0

* 3-3/8 Bore only; Length = 7.0

Product No. Example: 5VSSB Bushing with a 2-3/8" Bore = 5VSSB238 (Product No.)



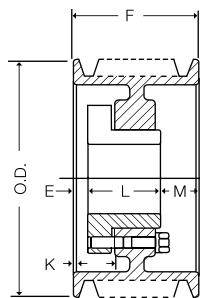
Companion Sheaves For 5VS Adjustables

Dimensions

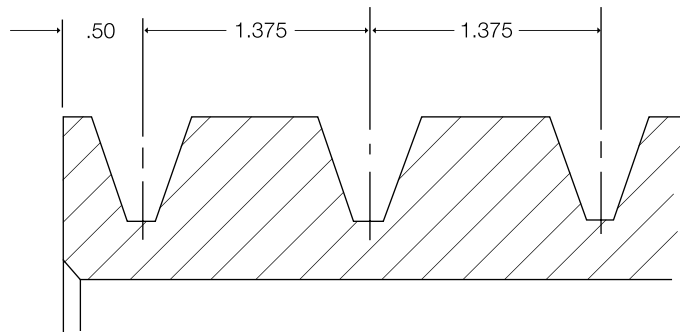
O.D. ◆	6 GROOVES (WIDE GROOVE SPACING)								8 GROOVES (WIDE GROOVE SPACING)*					
	Product No.	F = 7.88							F = 10.62					
		Bush.	Type	E	K	L	M	Wt.	Bush.	Type	E	K	L	M
8.0	-	-	-	-	-	-	-	-	E	A	3.38	4.25	2.62	4.62
8.5	-	-	-	-	-	-	-	-	E	A	3.38	4.25	2.62	4.62
9.0	-	-	-	-	-	-	-	-	F	A	2.38	3.38	3.62	4.62
9.25	-	-	-	-	-	-	-	-	F	A	2.38	3.38	3.62	4.62
9.75	-	-	-	-	-	-	-	-	F	A	2.38	3.38	3.62	4.62
10.3	5V1036W	F	A1	2-1/8	3-1/8	3-5/8	2-1/8	81.4	F	A	2.38	3.38	3.62	4.62
10.9	5V1096W	F	A1	2-1/8	3-1/8	3-5/8	2-1/8	89.2	J	A	2.5	3.68	4.5	3.62
11.3	5V1136W	F	A1	2-1/8	3-1/8	3-5/8	2-1/8	97.7	J	A	2.5	3.68	4.5	3.62
11.8	5V1186W	F	A1	2-1/8	3-1/8	3-5/8	2-1/8	103.9	J	A	2.5	3.68	4.5	3.62
12.5	5V1256W	F	A2	2-1/8	3-1/8	3-5/8	2-1/8	95.7	J	A	2.5	3.68	4.5	3.62
13.2	5V1326W	F	A2	2-1/8	3-1/8	3-5/8	2-1/8	102.3	J	A	2.5	3.68	4.5	3.62
14.0	5V1406W	F	A2	2-1/8	3-1/8	3-5/8	2-1/8	111.6	J	A	2.5	3.68	4.5	3.62
15.0	5V1506W	F	A3	2-1/8	3-1/8	3-5/8	2-1/8	110.9	M	A	2.5	3.68	4.5	3.62
16.0	5V1606W	F	A3	2-1/8	3-1/8	3-5/8	2-1/8	119.4	M	A	1.25	2.68	6.75	2.62
18.7	5V1876W	J	A3	3/4	1-15/16	4-1/2	2-5/8	160.8	M	A	1.25	2.68	6.75	2.62
20.0	-	-	-	-	-	-	-	-	M	A	1.25	2.68	6.75	2.62
21.2	5V2126W	J	A3	3/4	1-15/16	4-1/2	2-5/8	186.3	M	A	1.25	2.68	6.75	2.62
23.6	5V2366W	J	A3	3/4	1-15/16	4-1/2	2-5/8	218.3	M	A	1.25	2.68	6.75	2.62
25.0	-	-	-	-	-	-	-	-	M	A	1.25	2.68	6.75	2.62
28.0	5V2806W	J	A3	3/4	1-15/16	4-1/2	2-5/8	235.8	M	A	1.25	2.68	6.75	2.62
30.0	-	-	-	-	-	-	-	-	M	A	1.25	2.68	6.75	2.62
31.5	5V3156W	J	A3	3/4	1-15/16	4-1/2	2-5/8	272.4	M	A	1.25	2.68	6.75	2.62
35.5	-	-	-	-	-	-	-	..	N	A	0	1.75	8.12	2.5
37.5	5V3756W	J	A3	3/4	1-15/16	4-1/2	2-5/8	357.9	N	A	0	1.75	8.12	2.5
42.5	-	-	-	-	-	-	-	-	N	A	0	1.75	8.12	2.5
46.0	-	-	-	-	-	-	-	-	N	A	0	1.75	8.12	2.5
50.0	5V5006W	M	A3	15/32	1-15/16	6-3/4	21/32	648.0	N	A	0	1.75	8.12	2.5
53.0	-	-	-	-	-	-	-	-	N	A	0	1.75	8.12	2.5
58.0	-	-	-	-	-	-	-	-	N	A	0	1.75	8.12	2.5
64.0	-	-	-	-	-	-	-	-	P	A	0	2.0	9.38	1.24
72.0	-	-	-	-	-	-	-	-	P	A	0	2.0	9.38	1.24

◆ P.D. = O.D.

* 8 Groove companions are MTO.



Type A



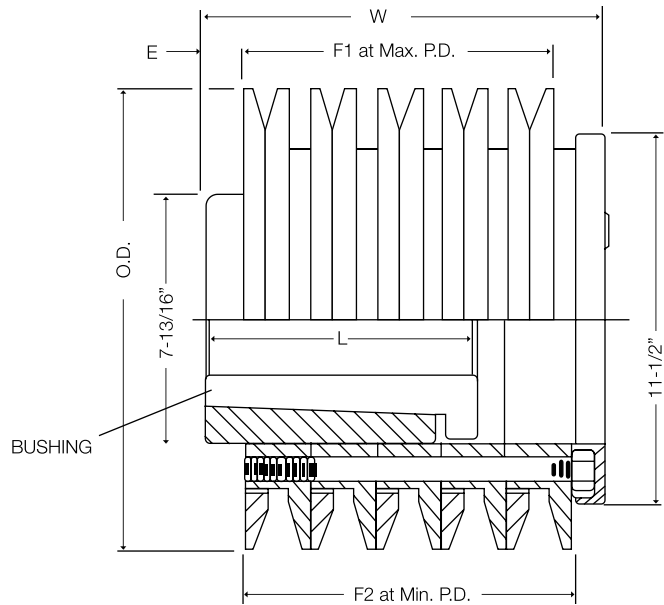
5V Wide-Groove Spaced Companions

8VS Adjustable Speed Sheaves

Dimensions

8VS SHEAVES 4, 5, 6 & 8 GROOVE

Max. to min. adjustment requires 8 turns. Pitch varies .24" per turn.



Product No.	P.D.		O.D.	Bushing	DIMENSIONS					WT.* Lbs.
	Min.	Max.			F1	F2	W	E	L	
8VS3554	12.48	14.37	14.17	8VS-SB	7.22	7.87	9.70	.65	9.33	187
8VS3555	12.48	14.37	14.17	8VS-SB	9.18	9.84	11.67	.65	9.33	220
8VS3556	12.48	14.37	14.17	8VS-SB	11.15	11.81	13.64	.65	9.33	256
8VS3558	12.48	14.37	14.17	8VS-LB	15.09	15.75	17.58	.65	12.36	340
8VS4054	14.45	16.34	16.14	8VS-SB	7.22	7.87	9.70	.65	9.33	215
8VS4055	14.45	16.34	16.14	8VS-SB	9.18	9.84	11.67	.65	9.33	250
8VS4056	14.45	16.34	16.14	8VS-SB	11.15	11.81	13.64	.65	9.33	290
8VS4058	14.45	16.34	16.14	8VS-LB	15.09	15.75	17.58	.65	12.36	388

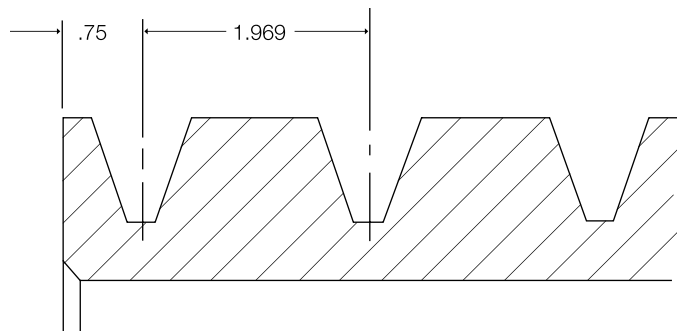
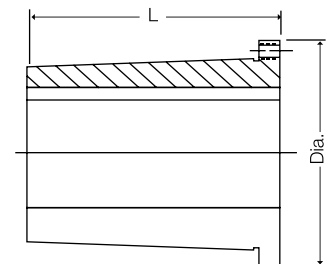
* Weight does not include bushing.

Note: Max. RPM of 8VS-355 is 1800 and for 8VS-405 the max. RPM is 1500.

BUSHING DIMENSIONS

Prod. No.	Stock Bores	Diameter	Length	Wt. (Lbs.)
8VSSB	3-3/8, 3-7/8	7.75	9.33	34.0
8VSLB	3-3/8, 3-7/8, 4-3/8	7.75	12.36	40.0

Product No. Example: 8VSLB Bushing with 3-7/8" Bore = 8VSLB378 (Product No.)



Companion Sheaves For 8VS Adjustables

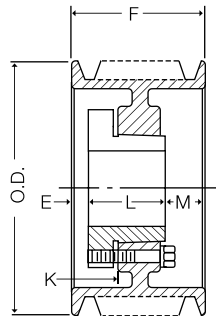
Dimensions

The companion sheaves for 8VS Adjustables have wide groove spacing and are made-to-order. The diameters can vary from those shown. However, the drives in the pre-engineered drive tables use the diameters listed here.

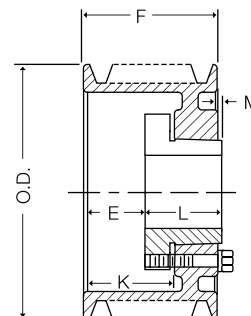
O.D. ◆	4 GROOVES (wide groove spacing)						5 GROOVES (wide groove spacing)						6 GROOVES (wide groove spacing)						8 GROOVES (wide groove spacing)					
	F = 7.41						F = 9.38						F = 11.34						F = 15.28					
	Bush.	Type	E	K	L	M	Bush.	Type	E	K	L	M	Bush.	Type	E	K	L	M	Bush.	Type	E	K	L	M
12.5	F	A	1.38	2.38	3.62	2.40	F	A	2.38	3.38	3.62	3.37	J	A	2.38	3.56	4.5	4.46	J	A	4.25	5.44	4.5	6.53
13.2	F	A	1.38	2.38	3.62	2.40	F	A	2.38	3.38	3.62	3.37	J	A	2.38	3.56	4.5	4.46	J	A	4.25	5.44	4.5	6.53
14.0	F	A	1.38	2.38	3.62	2.40	F	A	2.38	3.38	3.62	3.37	J	A	2.38	3.56	4.5	4.46	J	A	4.25	5.44	4.5	6.53
15.0	F	A	1.38	2.38	3.62	2.40	F	A	2.38	3.38	3.62	3.37	J	A	2.38	3.56	4.5	4.46	J	A	4.25	5.44	4.5	6.53
16.0	F	A	1.38	2.38	3.62	2.40	J	A	1.5	2.68	4.5	3.37	J	A	2.38	3.56	4.5	4.46	J	A	4.25	5.44	4.5	6.53
17.0	J	A	1.38	2.38	3.62	2.40	J	A	1.5	2.68	4.5	3.37	J	A	2.38	3.56	4.5	4.46	M	A	2.75	4.18	6.75	5.78
18.0	J	A	.94	2.12	4.5	1.96	J	A	1.5	2.68	4.5	3.37	J	A	2.38	3.56	4.5	4.46	M	A	2.75	4.18	6.75	5.78
19.0	J	A	.94	2.12	4.5	1.96	J	A	1.5	2.68	4.5	3.37	J	A	2.38	3.56	4.5	4.46	M	A	2.75	4.18	6.75	5.78
20.0	J	A	.94	2.12	4.5	1.96	J	A	1.5	2.68	4.5	3.37	M	A	.75	2.18	6.75	3.84	M	A	2.75	4.18	6.75	5.78
21.2	J	A	.94	2.12	4.5	1.96	J	A	1.5	2.68	4.5	3.37	M	A	.75	2.18	6.75	3.84	M	A	2.75	4.18	6.75	5.78
22.4	J	A	.94	2.12	4.5	1.96	M	A	.25	1.68	6.75	2.37	M	A	.75	2.18	6.75	3.84	M	A	2.75	4.18	6.75	5.78
23.6	J	A	.94	2.12	4.5	1.96	M	A	.25	1.68	6.75	2.37	M	A	.75	2.18	6.75	3.84	M	A	2.75	4.18	6.75	5.78
24.8	M	A	0	1.44	6.75	.65	M	A	.25	1.68	6.75	2.37	M	A	.75	2.18	6.75	3.84	M	A	2.75	4.18	6.75	5.78
28.0	M	A	0	1.44	6.75	.65	M	A	.25	1.68	6.75	2.37	M	A	.75	2.18	6.75	3.84	M	A	2.75	4.18	6.75	5.78
30.0	M	A	0	1.44	6.75	.65	M	A	.25	1.68	6.75	2.37	M	A	.75	2.18	6.75	3.84	N	A	2.75	4.5	8.12	4.41
35.5	M	A	0	1.44	6.75	.65	M	A	.25	1.68	6.75	2.37	M	A	.75	2.18	6.75	3.84	N	A	2.75	4.5	8.12	4.41
40.0	M	A	0	1.44	6.75	.65	M	A	.25	1.68	6.75	2.37	N	A	.75	2.5	8.12	2.47	N	A	2.75	4.5	8.12	4.41
42.5	M	A	0	1.44	6.75	.65	N	A	0	1.75	8.12	1.25	N	A	.75	2.5	8.12	2.47	N	A	2.75	4.5	8.12	4.41
44.5	M	A	0	1.44	6.75	.65	N	A	0	1.75	8.12	1.25	N	A	.75	2.5	8.12	2.47	P	A	2.75	4.5	8.12	4.41
48.0	M	A	0	1.44	6.75	.65	N	A	0	1.75	8.12	1.25	N	A	.75	2.5	8.12	2.47	P	A	2.0	4.0	9.38	3.90
53.0	N	B	.25	1.5	8.12	.47	N	A	0	1.75	8.12	1.25	N	A	.75	2.5	8.12	2.47	P	A	2.0	4.0	9.38	3.90
58.0	N	B	.25	1.5	8.12	.47	N	A	0	1.75	8.12	1.25	N	A	.75	2.5	8.12	2.47	P	A	2.0	4.0	9.38	3.90
63.0	N	B	.25	1.5	8.12	.47	N	A	0	1.75	8.12	1.25	P	A	0	2.0	9.38	1.96	P	A	2.0	4.0	9.38	3.90
71.0	N	B	.25	1.5	8.12	.47	P	A	0	2.0	9.37	0	P	A	0	2.0	9.38	1.96	P	A	2.0	4.0	9.38	3.90
78.0	N	B	.25	1.5	8.12	.47	P	A	0	2.0	9.37	0	P	A	0	2.0	9.38	1.96	P	A	2.0	4.0	9.38	3.90

◆ P.D. = O.D.

To order specify "8V" + O.D. + "X" + Number of Grooves + "W"
 Example: 8V22.4 x 6W



Type A



Type B